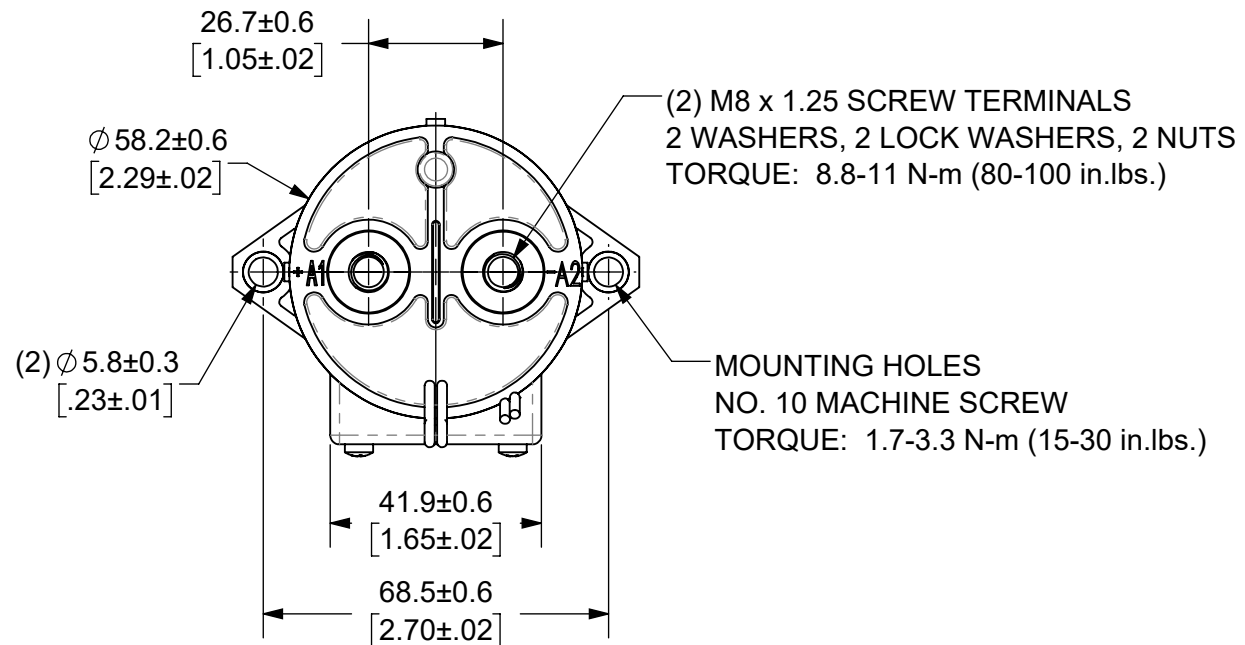


THIS DRAWING AND THE INFORMATION CONTAINED WITHIN IT ARE CONFIDENTIAL AND MAY NOT BE COPIED OR DISCLOSED WITHOUT THE WRITTEN PERMISSION OF LITTELFUSE.

REVISIONS				
ZONE	REV.	DESCRIPTION	DATE	APPROVED
	A	INITIAL RELEASE. GCF 500000021760	12/16/2019	DGK



(2) M8 x 1.25 SCREW TERMINALS
2 WASHERS, 2 LOCK WASHERS, 2 NUTS
TORQUE: 8.8-11 N-m (80-100 in.lbs.)

MOUNTING HOLES
NO. 10 MACHINE SCREW
TORQUE: 1.7-3.3 N-m (15-30 in.lbs.)

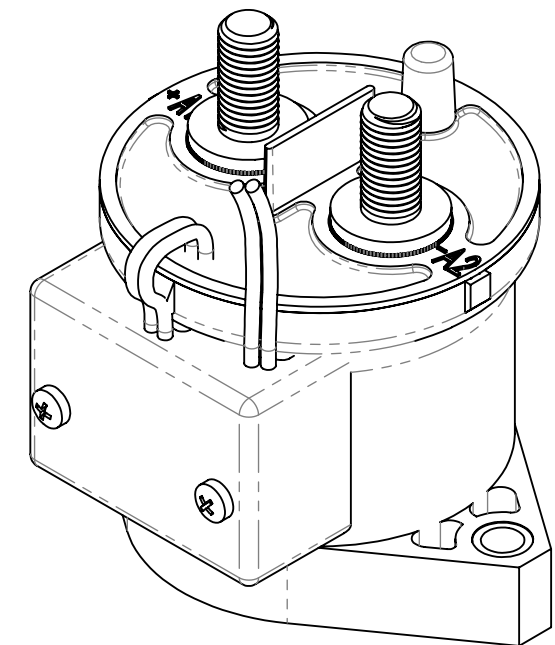
NOTES: UNLESS OTHERWISE SPECIFIED

- CONTACT ARRANGEMENT: SPST-NO
- CONTINUOUS CURRENT RATING: 250 AMPS
- CONTACT VOLTAGE RATING: 12 - 900 VDC
- CONTACT TERMINALS POLARIZED
- HARDWARE: 2 - M8 NUTS, 2 - M8 LOCKWASHERS, 2 - M8 FLAT WASHERS
- WEIGHT: 430 GRAMS (15 OZ.)
- CERTIFICATIONS:

UL RECOGNIZED FOR CANADA AND THE UNITED STATES.

EUROPEAN ECONOMIC AREA RECOGNIZED.

8. RoHS COMPLIANT



COIL WIRES
RED (+), BLACK (-)
LENGTH: 390±10 [15.4±.4]

POSITIVE TERMINAL +A1
NEGATIVE TERMINAL -A2

56.1±0.6 [2.21±.02]

80.7±0.6 [3.18±.02]

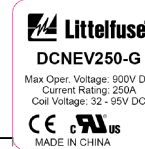
14.2±0.6 [.56±.02]

Ø51.6±0.6 [2.03±.02]

62.4±0.6 [2.46±.02]

72.6±0.6 [2.86±.02]

12.7±0.6 [.50±.02]



●		FIT/ FUNCTION CRITICAL CHARACTERISTICS SYMBOL
<S>		SAFETY/ COMPLIANCE CRITICAL CHARACTERISTICS SYMBOL
CPK		DENOTES CPK DIMENSIONS MINIMUM CPK VALUE
ST		DENOTES A CHARACTERISTIC THAT PROVIDES AN INDICATION OF PROCESS PERFORMANCE PROCEDURE FOR MEASUREMENT AND TRACKING TO BE DEFINED IN LITTELFUSE INSPECTION INSTRUCTIONS
CP		DENOTES CP DIMENSIONS. -MINIMUM CP VALUE MUST BE WITHIN THE DIMENSIONAL LIMITATIONS SHOWN ON DRAWING AND INITIALLY LOCATED TO ALLOW FOR MAXIMUM TOOL LIFE
DIMENSION: MM TOLERANCES UNLESS OTHERWISE SPECIFIED ONE PLACE DECIMAL ± 0.5 THREE PLACES DECIMAL ± 0.100 TWO PLACES DECIMAL ± 0.20 ANGULAR ± 2°		
NAME	DATE	 Expertise Applied Answers Delivered TITLE DC CONTACTOR, 250 AMP 48-72 VDC
DRAWN DGK	11/22/2019	
CHECKED AH	12/13/2019	
-	-	
FORM NO: CVP-PE40-0004 REV A		SIZE B DWG. NO. OL-DCNEV250-G OUTLINE REV. A
THIRD ANGLE PROJECTION		SCALE 2:3
DO NOT SCALE DRAWING		SHEET 1 OF 1

ENGINEERING DESIGN DATA									
COIL DATA							SHORT CIRCUIT	DIELECTRIC VOLTAGE	ELECTRICAL LIFE
COIL VOLTAGE (VDC)	NOMINAL POWER (WATTS)	PICK-UP VOLTAGE (VDC)	DROP-OUT VOLTAGE (VDC)	MAX. VOLTAGE (VDC)	INRUSH CURRENT (MAX)	HOLDING CURRENT	MAX @ 320 VDC	(VRMS)	250A @ 450VDC (CYCLES)
48-72	1.5	32	18	95	1.3A	0.03A@48VDC	2,000 A	2,200	5,000