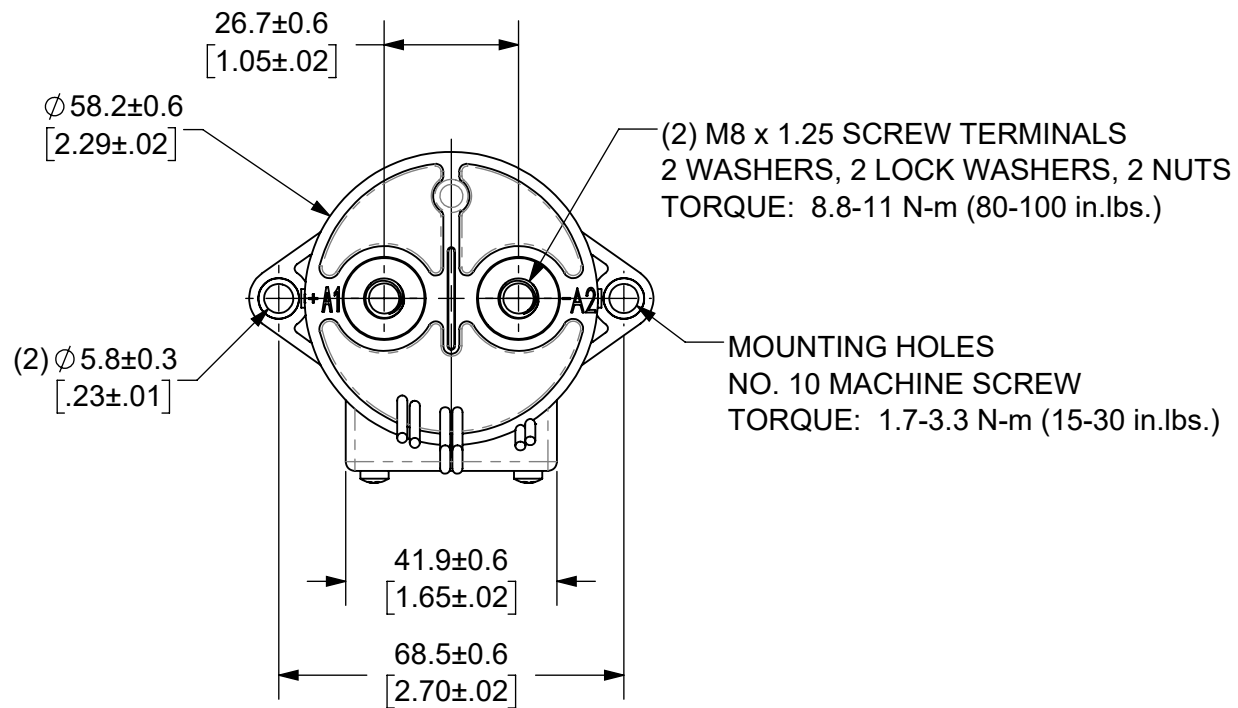


THIS DRAWING AND THE INFORMATION CONTAINED WITHIN IT ARE CONFIDENTIAL AND MAY NOT BE COPIED OR DISCLOSED WITHOUT THE WRITTEN PERMISSION OF LITTELFUSE.

REVISIONS				
ZONE	REV.	DESCRIPTION	DATE	APPROVED
	A	INITIAL RELEASE. GCF 500000021759	12/11/2019	DGK



(2) M8 x 1.25 SCREW TERMINALS  
2 WASHERS, 2 LOCK WASHERS, 2 NUTS  
TORQUE: 8.8-11 N-m (80-100 in.lbs.)

MOUNTING HOLES  
NO. 10 MACHINE SCREW  
TORQUE: 1.7-3.3 N-m (15-30 in.lbs.)

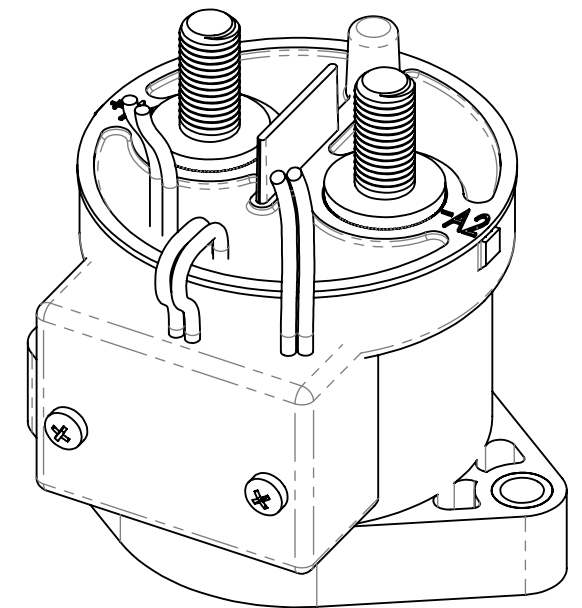
NOTES: UNLESS OTHERWISE SPECIFIED

- CONTACT ARRANGEMENT: SPST-NO
- CONTINUOUS CURRENT RATING: 150 AMPS
- CONTACT VOLTAGE RATING: 12 - 900 VDC
- CONTACT TERMINALS NON-POLARIZED
- HARDWARE: 2 - M8 NUTS, 2 - M8 LOCKWASHERS, 2 - M8 FLAT WASHERS
- WEIGHT: 430 GRAMS (15 OZ.)
- CERTIFICATIONS:

UL RECOGNIZED FOR CANADA AND THE UNITED STATES.

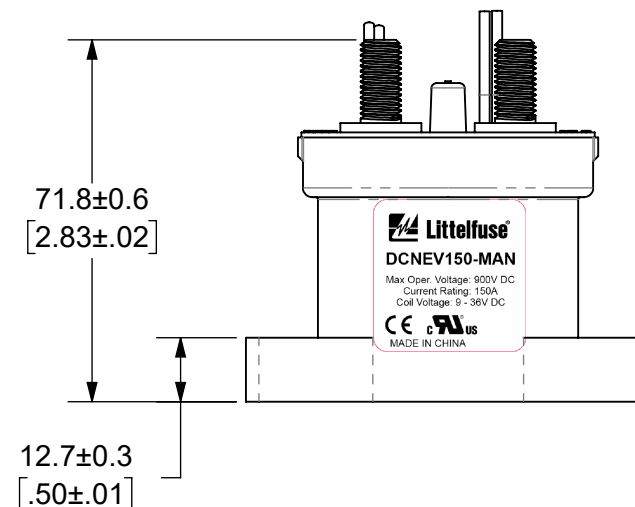
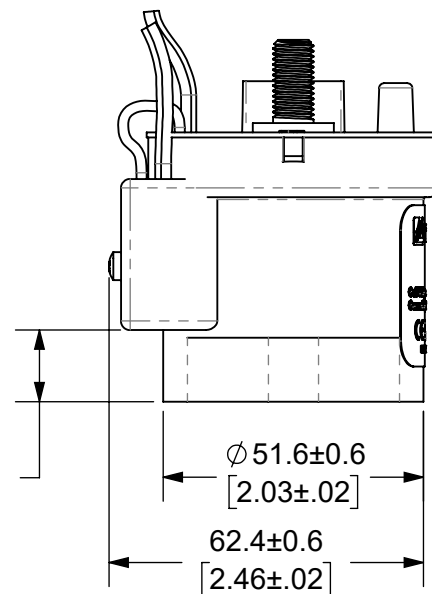
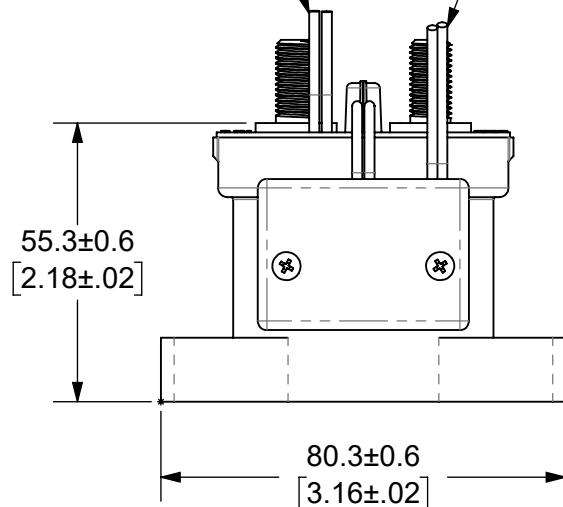
EUROPEAN ECONOMIC AREA RECOGNIZED.

- RoHS COMPLIANT
- AUXILLARY CONTACT RATING: 2A @ 30 VDC  
3A @ 125 VAC



AUXILIARY CONTACT,  
WHITE WIRES  
LENGTH: 390±10 [15.4±.4]

COIL WIRES  
RED (+), BLACK (-)  
LENGTH: 390±10 [15.4±.4]



●		FIT/ FUNCTION CRITICAL CHARACTERISTICS SYMBOL
<S>		SAFETY/ COMPLIANCE CRITICAL CHARACTERISTICS SYMBOL
CPK		DENOTES CPK DIMENSIONS MINIMUM CPK VALUE
ST		DENOTES A CHARACTERISTIC THAT PROVIDES AN INDICATION OF PROCESS PERFORMANCE PROCEDURE FOR MEASUREMENT AND TRACKING TO BE DEFINED IN LITTELFUSE INSPECTION INSTRUCTIONS
CP		DENOTES CP DIMENSIONS. -MINIMUM CP VALUE MUST BE WITHIN THE DIMENSIONAL LIMITATIONS SHOWN ON DRAWING AND INITIALLY LOCATED TO ALLOW FOR MAXIMUM TOOL LIFE
DIMENSION: MM TOLERANCES UNLESS OTHERWISE SPECIFIED ONE PLACE DECIMAL ± 0.5      THREE PLACES DECIMAL ± 0.100 TWO PLACES DECIMAL ± 0.20      ANGULAR ± 2°		
NAME	DATE	 <b>Expertise Applied   Answers Delivered</b> TITLE DC CONTACTOR, 150 AMP AUX CONTACT, NON-POLAR
DRAWN DGK	11/21/2019	
CHECKED AH	12/11/2019	
-	-	
FORM NO: CVP-PE40-0004 REV A		SIZE B    DWG. NO. OL-DCNEV150-MAN    OUTLINE REV. A
THIRD ANGLE PROJECTION		SCALE 2:3
DO NOT SCALE DRAWING		SHEET 1 OF 1

ENGINEERING DESIGN DATA

COIL DATA						SHORT CIRCUIT	DIELECTRIC VOLTAGE	ELECTRICAL LIFE	
COIL VOLTAGE (VDC)	NOMINAL POWER (WATTS)	PICK-UP VOLTAGE (VDC)	DROP-OUT VOLTAGE (VDC)	MAX. VOLTAGE (VDC)	INRUSH CURRENT (MAX)	HOLDING CURRENT 12VDC / 24VDC	MAX @ 320 VDC	(VRMS)	150A @ 450VDC (CYCLES)
12 - 24	1.7	9	6	36	3.8A	0.13A / 0.07A	2,000 A	2,200	3,000