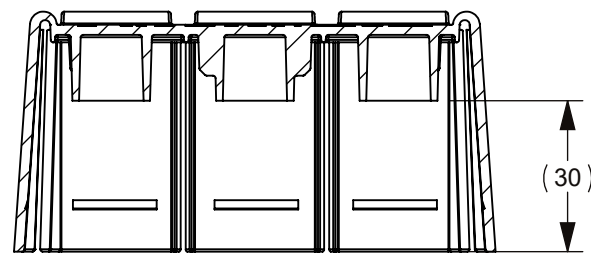
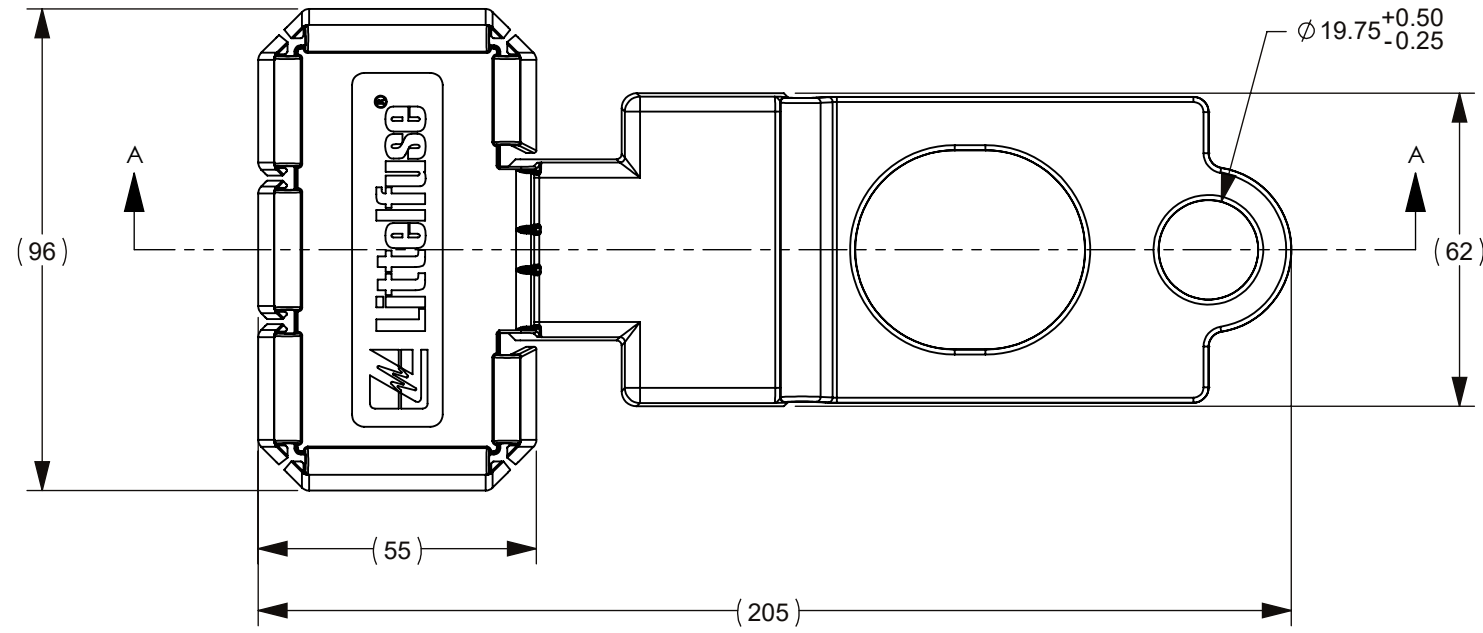


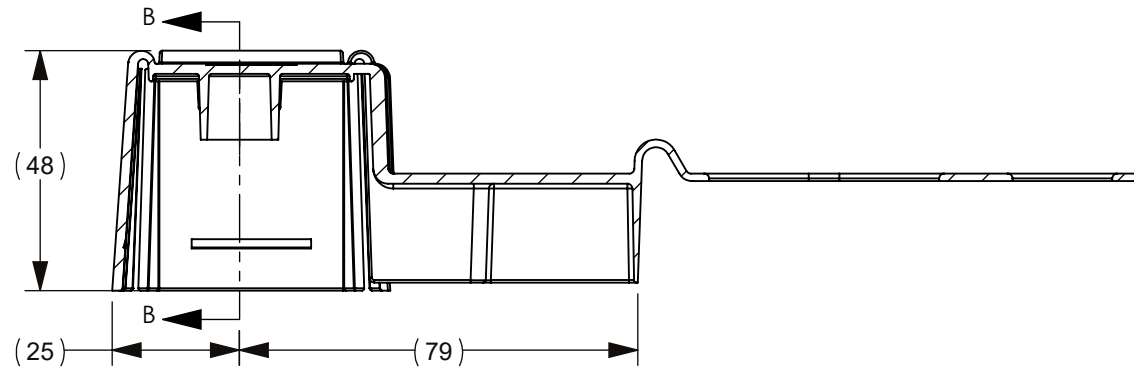
THIS DRAWING AND THE INFORMATION CONTAINED WITHIN IT ARE CONFIDENTIAL AND MAY NOT BE COPIED OR DISCLOSED WITHOUT THE WRITTEN PERMISSION OF LITTELFUSE.

NOTES

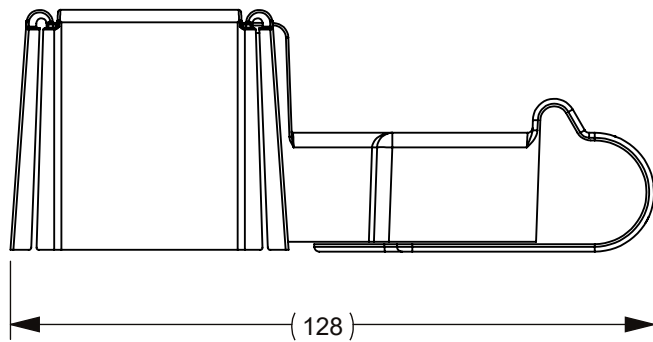
1. OPERATING TEMPERATURE: -40° TO 125°C
2. MATERIAL: TPV
3. COLOR: RED



SECTION B-B
SCALE 1 : 1.5

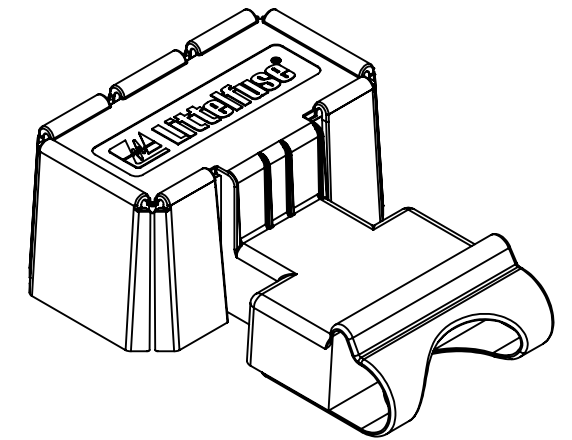
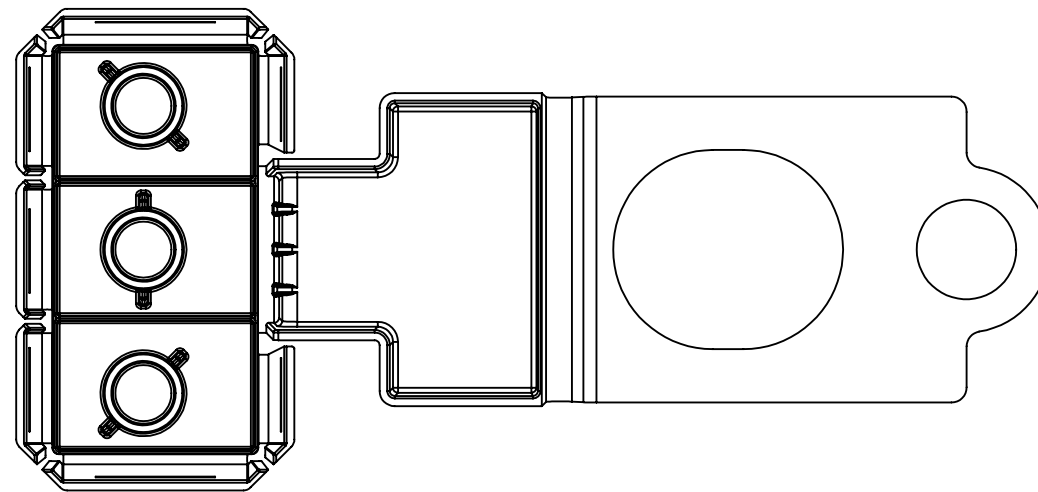


SECTION A-A
SCALE 1 : 1.5



AS ASSEMBLED

LENGTH DEPENDENT ON CABLE
SIZE USED IN ASSEMBLY



REVISIONS

ZONE	REV.	DESCRIPTION	DATE	APPROVED
	A	INITIAL RELEASE GCF 522593	7/7/2020	L ARGIL

INTERPRET DRAWING TO ANSI/ASME Y14.5-1994.		
●	FIT/ FUNCTION CRITICAL CHARACTERISTICS SYMBOL	
<S>	SAFETY/ COMPLIANCE CRITICAL CHARACTERISTICS SYMBOL	
CPK	DENOTES CPK DIMENSIONS MINIMUM CPK VALUE	
ST	DENOTES A CHARACTERISTIC THAT PROVIDES AN INDICATION OF PROCESS PERFORMANCE PROCEDURE FOR MEASUREMENT AND TRACKING TO BE DEFINED IN LITTELFUSE INSPECTION INSTRUCTIONS	
CP	DENOTES CP DIMENSIONS. -MINIMUM CP VALUE MUST BE WITHIN THE DIMENSIONAL LIMITATIONS SHOWN ON DRAWING AND INITIALLY LOCATED TO ALLOW FOR MAXIMUM TOOL LIFE	
DIMENSION: MM TOLERANCES UNLESS OTHERWISE SPECIFIED ONE PLACE DECIMAL ± 0.5 THREE PLACES DECIMAL ± 0.100 TWO PLACES DECIMAL ± 0.20 ANGULAR ± 2°		
DRAWN	NAME L.VOGL	DATE 07/07/2020
CHECKED	-	-
	-	-
	-	-
FORM NO: CVP-PE40-0004 REV A		
THIRD ANGLE PROJECTION		
Expertise Applied Answers Delivered		
TITLE Cover - Zcase Fuse Holder		
SIZE B	DWG. NO. OL-901-325	REV. A
DO NOT SCALE DRAWING		SHEET 1 OF 1