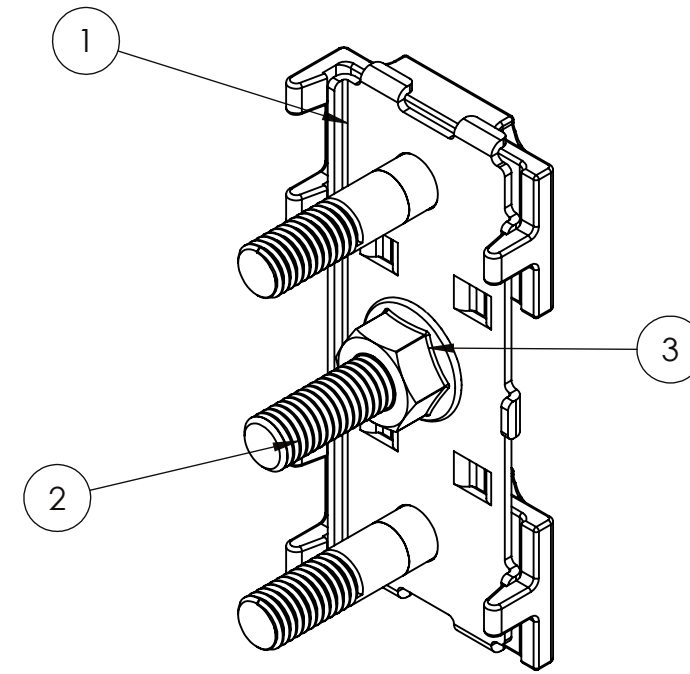
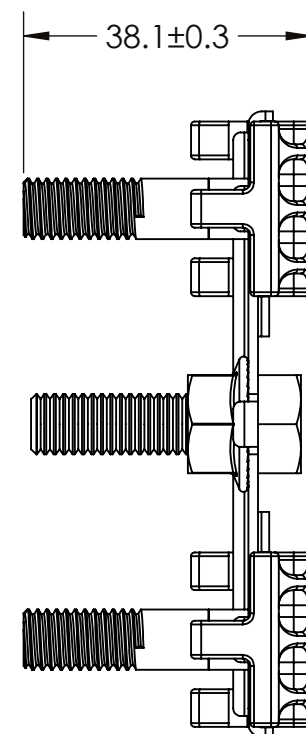
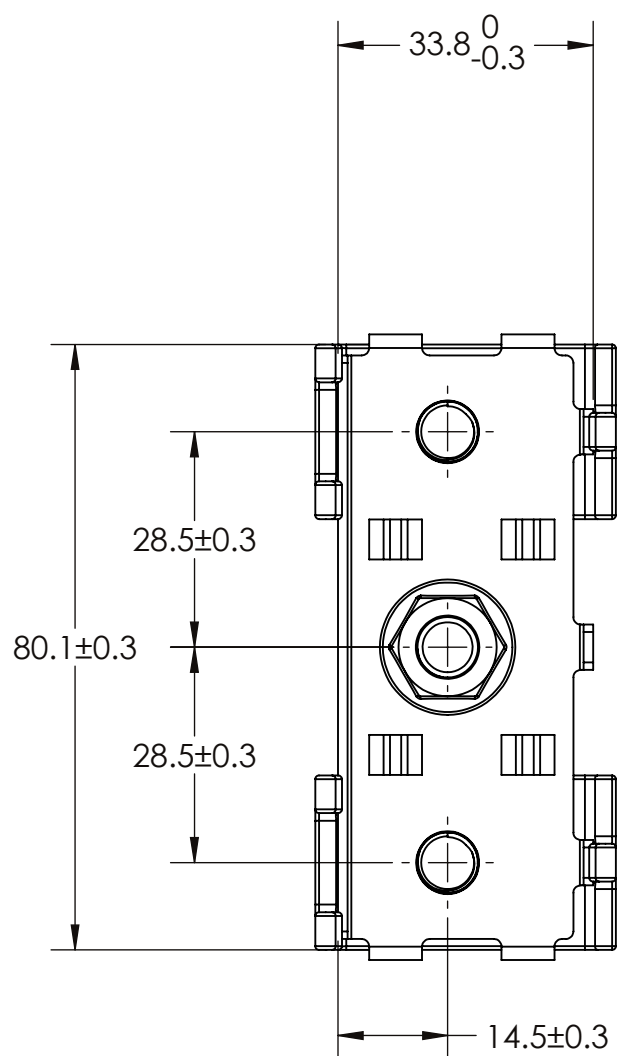
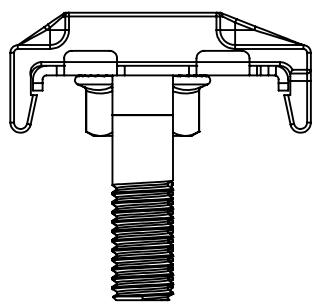


THIS DRAWING AND THE INFORMATION CONTAINED WITHIN IT ARE CONFIDENTIAL AND MAY NOT BE COPIED OR DISCLOSED WITHOUT THE WRITTEN PERMISSION OF LITTELFUSE.

REVISIONS				
ZONE	REV.	DESCRIPTION	DATE	APPROVED
	A	GCF #524724 INITIAL RELEASE. D.SILVA.	1/25/2022	L.ARGIL



ITEM NO.	PART NUMBER	DESCRIPTION	QTY.
3	-	M8 x 1.25 SERRATED FLANGE HEX NUT SS	1
2	-	BOLT M8x1.25x30 SS	1
1	882-855	SUB ASSM Z-CASE FUSE HOLDER 2WAY	1

NOTES:

- ALL DIMENSIONS ARE FOR REFERENCE
- MATERIAL:
 - ZCASE FUSE HOLDER:
 - BUSBAR: COPPER ALLOY
 - POLYPHTHALAMIDE (PPA)
 - STANDARD M8 BOLT
- BOLT M8x1.25: STAINLESS STEEL (TO BE BAGGED)
- HEX NUT M8X1.25: STAINLESS STEEL (TO BE BAGGED)
- MOUNTING METHOD: M8 STUD MOUNT
- MAX VOLTAGE RATING: 32 VDC
- FUSE TERMINAL TORQUE: 14±2 Nm

DIMENSIONS ARE SHOWN IN MILLIMETERS. DIMENSIONS AND TOLERANCES ARE DEFINED ACCORDING TO ANSIA/SME Y14.5-1994.											
●	FIT/ FUNCTION CRITICAL CHARACTERISTICS										
<S>	SAFETY/ COMPLIANCE CRITICAL CHARACTERISTICS SYMBOL										
CPK	DENOTES CPK DIMENSIONS MINIMUM CPK VALUE										
(ST)	DENOTES A CHARACTERISTIC THAT PROVIDES AN INDICATION OF PROCESS PERFORMANCE. PROCEDURE FOR MEASUREMENT AND TRACKING TO BE DEFINED IN LITTELFUSE INSPECTION INSTRUCTIONS										
CP	DENOTES CP DIMENSIONS. -MINIMUM CP VALUE MUST BE WITHIN THE DIMENSIONAL LIMITATIONS SHOWN ON DRAWING AND INITIALLY LOCATED TO ALLOW FOR MAXIMUM TOOL LIFE										
FORM NO. CVP-PE40-0005 REV B	THIRD ANGLE PROJECTION	<p>Expertise Applied Answers Delivered</p>									
<table border="1"> <tr> <th>NAME</th> <th>DATE</th> </tr> <tr> <td>D.SILVA</td> <td>1/8/2022</td> </tr> </table>	NAME		DATE	D.SILVA	1/8/2022	<table border="1"> <tr> <th>SIZE</th> <th>DWG. NO.</th> <th>REV.</th> </tr> <tr> <td>C</td> <td>OL-882-854</td> <td>A</td> </tr> </table>	SIZE	DWG. NO.	REV.	C	OL-882-854
NAME	DATE										
D.SILVA	1/8/2022										
SIZE	DWG. NO.	REV.									
C	OL-882-854	A									
DO NOT SCALE DRAWING	SCALE 1:1	SHEET 1 OF 1									