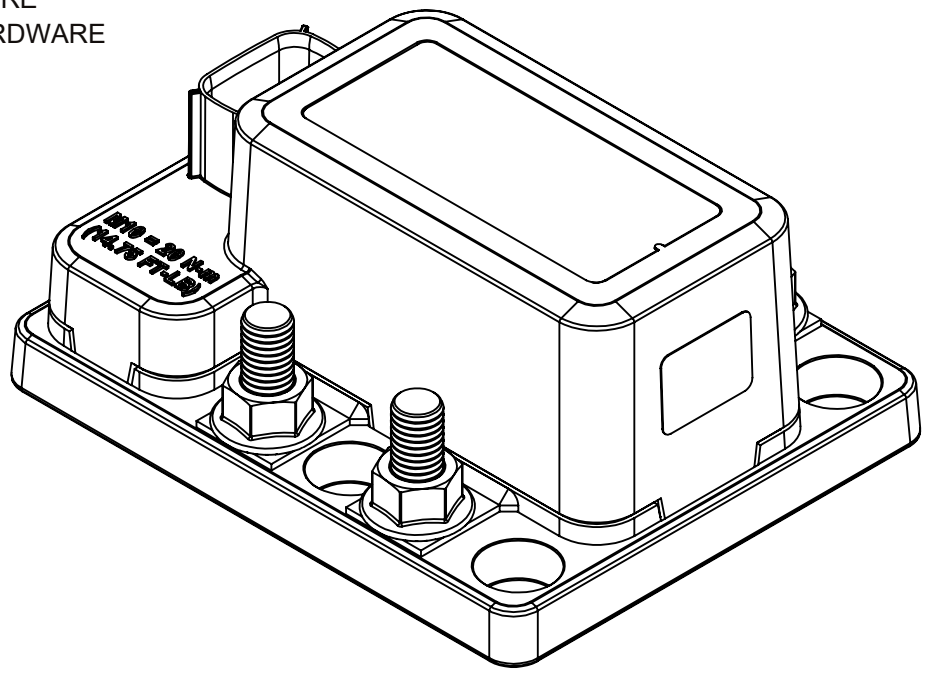
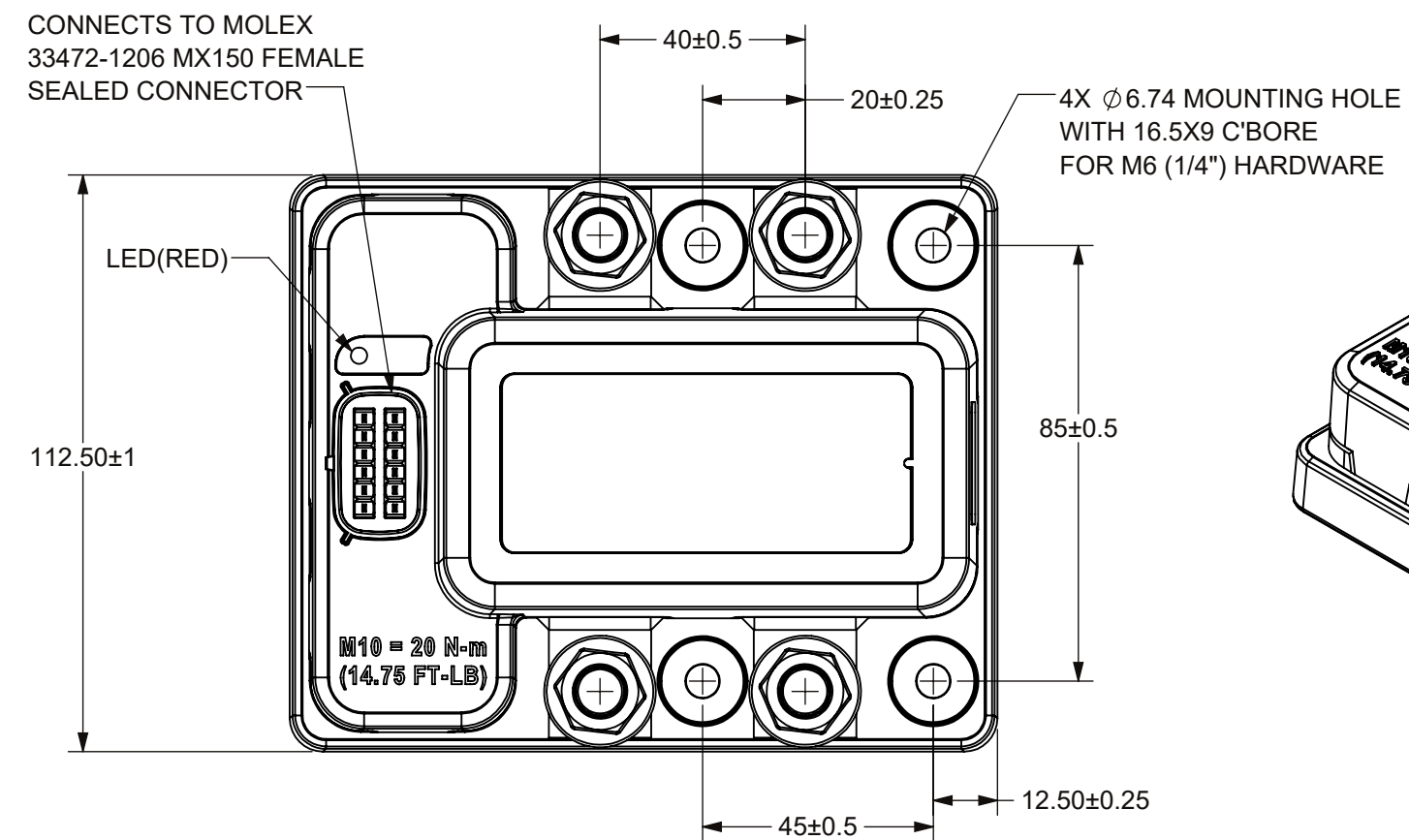
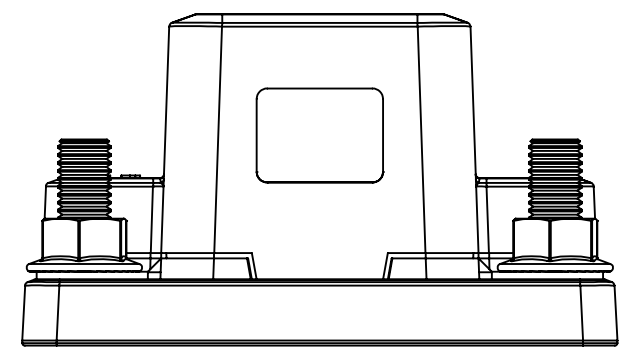
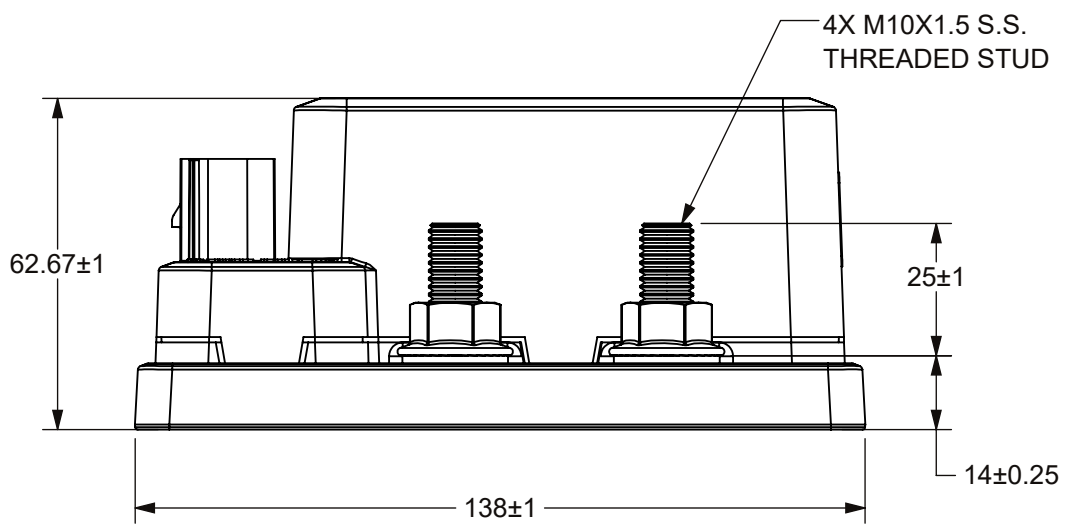


THIS DRAWING AND THE INFORMATION CONTAINED WITHIN IT ARE CONFIDENTIAL AND MAY NOT BE COPIED OR DISCLOSED WITHOUT THE WRITTEN PERMISSION OF LITTELFUSE.

REVISIONS				
ZONE	REV.	DESCRIPTION	DATE	APPROVED
	A	PCO #5300280. INITIAL RELEASE. DSILVA	6/13/2023	E.FLORES



- 1.- INPUT VOLTAGE: 9-16V.
- 2.- MAX CONTINUOUS CURRENT: 600A.
- 3.- MAX INTERMITTENT CURRENT (30 SEC): 2,000 A.
- 4.- MAX INRUSH CURRENT (1 SEC): 3,000 A.
- 5.- MOUNTING HARDWARE: M6 OR 1/4"
- 6.- RECOMMENDED MOUNTING BOLT TORQUE: 20 N-m MAX.
- 7.- RECOMMENDED INPUT-OUTPUT STUD TORQUE: 20 N-m MAX
- 8.- PRIMARY CONTACT VOLTAGE: 9V-32V.
- 9.- DIMENSIONS ARE IN mm

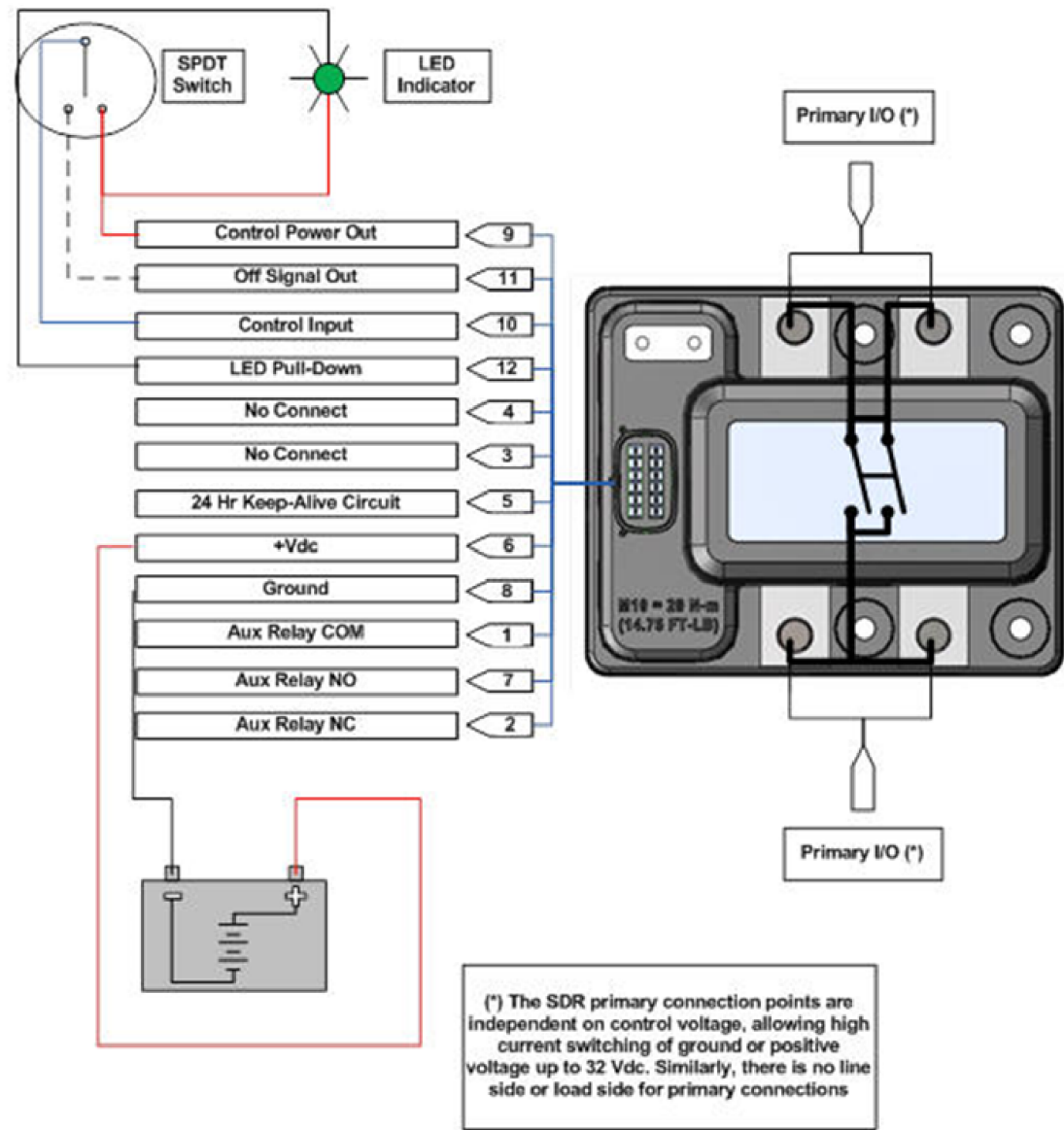


DIMENSIONS ARE SHOWN IN MILLIMETERS. DIMENSIONS AND TOLERANCES ARE DEFINED ACCORDING TO ANSI/ASME Y14.5-1994.

●	FIT/ FUNCTION CRITICAL CHARACTERISTICS
<S>	SAFETY/ COMPLIANCE CRITICAL CHARACTERISTICS SYMBOL
CPK	DENOTES CPK DIMENSIONS MINIMUM CPK VALUE
ST	DENOTES A CHARACTERISTIC THAT PROVIDES AN INDICATION OF PROCESS PERFORMANCE.PROCEDURE FOR MEASUREMENT AND TRACKING TO BE DEFINED IN LITTELFUSE INSPECTION INSTRUCTIONS
CP	DENOTES CP DIMENSIONS. -MINIMUM CP VALUE MUST BE WITHIN THE DIMENSIONAL LIMITATIONS SHOWN ON DRAWING AND INITIALLY LOCATED TO ALLOW FOR MAXIMUM TOOL LIFE

NAME	DATE	<p>Littelfuse Expertise Applied Answers Delivered</p>
DRAWN D.SILVA	05/16/2023	
CHECKED	-	
-	-	
FORM NO: CVP-PE40-0003 REV B	TITLE	<p>RELAY SDR-1 SINGLE POLE, 12V</p>
THIRD ANGLE PROJECTION		
SIZE B	DWG. NO. OL-880103	REV. A
DO NOT SCALE DRAWING	SCALE 1:10	SHEET 1 OF 2

THIS DRAWING AND THE INFORMATION CONTAINED WITHIN IT ARE CONFIDENTIAL AND MAY NOT BE COPIED OR DISCLOSED WITHOUT THE WRITTEN PERMISSION OF LITTELFUSE.



(*) The SDR primary connection points are independent on control voltage, allowing high current switching of ground or positive voltage up to 32 Vdc. Similarly, there is no line side or load side for primary connections

CONNECTOR PIN #	REFERENCE	DESCRIPTION	SDR-1
1	AUX_COM	AUXILIARY RELAY COMMON PIN.	O
2	AUX_NC	AUXILIARY RELAY NORMALLY CLOSED PIN.	O
3	PNB_LED	LOGIC INPUT LINE, PULLED TO GROUND TO ACTIVATE.	X
4	VSENSE3	VOLTAGE SENSE #3 FOR BATTERY COMBINER FUNCTIONALITY	X
5	VDC_AUX_OUT	+Vdc FUSE PROTECTED OUTPUT	O
6	VDC_INPUT	+Vdc FOR DEVICE POWER	R
7	AUX NO	AUXILIARY RELAY NORMALLY OPEN PIN	O
8	GND	GROUND FOR DEVICE POWER	R
9	SW_POWER	POWER OUTPUT TO CONTROL SWITCH AND LED INDICATOR	O
10	CNTRL_IN	REMOTE CONTROL INPUT	R
11	SW_LO	OFF REFERENCE SIGNAL FOR CONTROL SWITCH	R
12	LED1	EXTERNAL LED PULL-DOWN LINE (ACTIVE LOW)	O

R=REQUIRED CONNECTION
O=OPTIONAL CONNECTION
X=NO CONNECTION

DIMENSIONS ARE SHOWN IN MILLIMETERS. DIMENSIONS AND TOLERANCES ARE DEFINED ACCORDING TO ANSI/ASME Y14.5-1994.

●	FIT/ FUNCTION CRITICAL CHARACTERISTICS
<S>	SAFETY/ COMPLIANCE CRITICAL CHARACTERISTICS SYMBOL
CPK	DENOTES CPK DIMENSIONS MINIMUM CPK VALUE
ST	DENOTES A CHARACTERISTIC THAT PROVIDES AN INDICATION OF PROCESS PERFORMANCE. PROCEDURE FOR MEASUREMENT AND TRACKING TO BE DEFINED IN LITTELFUSE INSPECTION INSTRUCTIONS
CP	DENOTES CP DIMENSIONS. -MINIMUM CP VALUE MUST BE WITHIN THE DIMENSIONAL LIMITATIONS SHOWN ON DRAWING AND INITIALLY LOCATED TO ALLOW FOR MAXIMUM TOOL LIFE

NAME	DATE	<p>Littelfuse Expertise Applied Answers Delivered</p>
DRAWN D.SILVA	05/16/2023	
CHECKED	-	
-	-	
FORM NO: CVP-PE40-0003 REV B		TITLE
THIRD ANGLE PROJECTION		RELAY SDR-1 SINGLE POLE, 12V
DO NOT SCALE DRAWING	SCALE 1:1	SIZE B DWG. NO. OL-880103 REV. A
		SHEET 2 OF 2