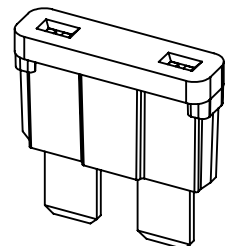
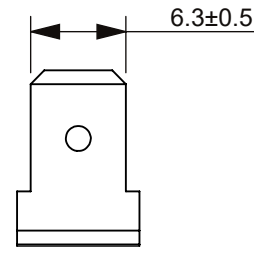
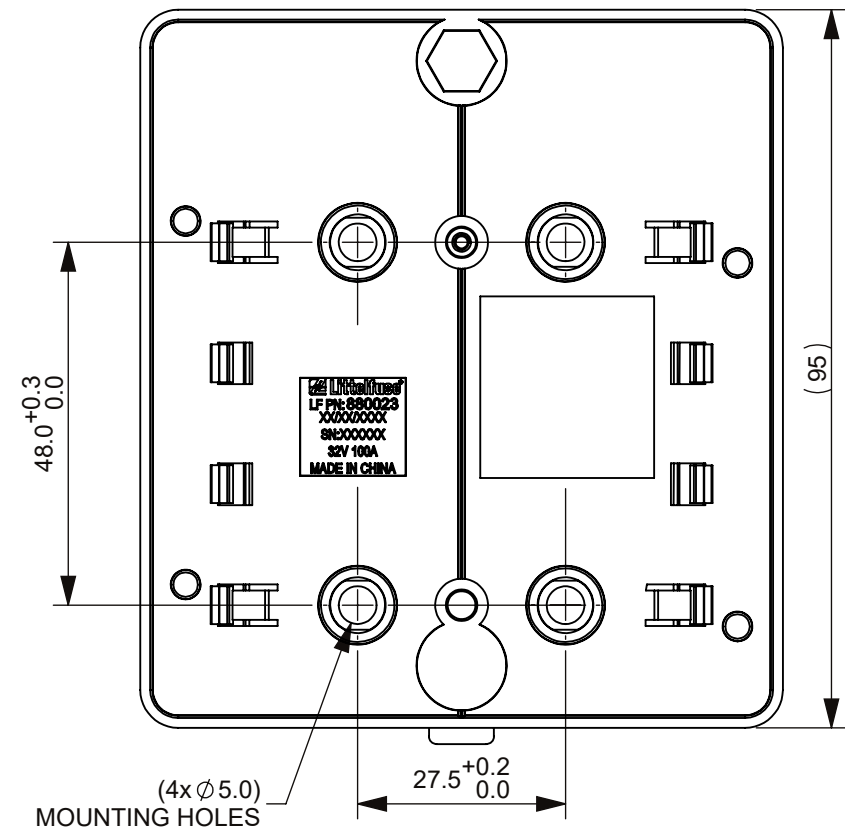
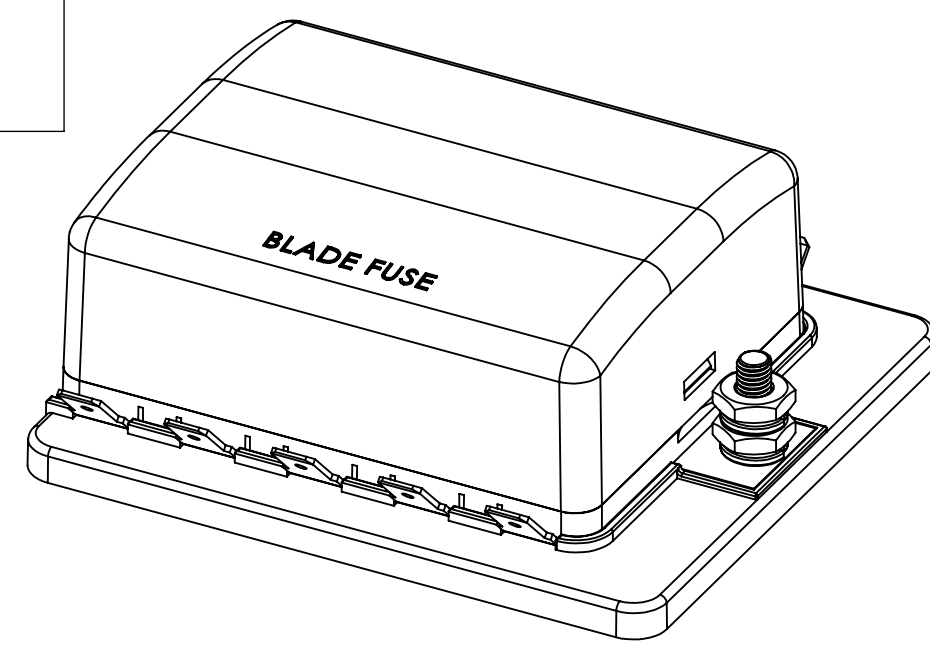
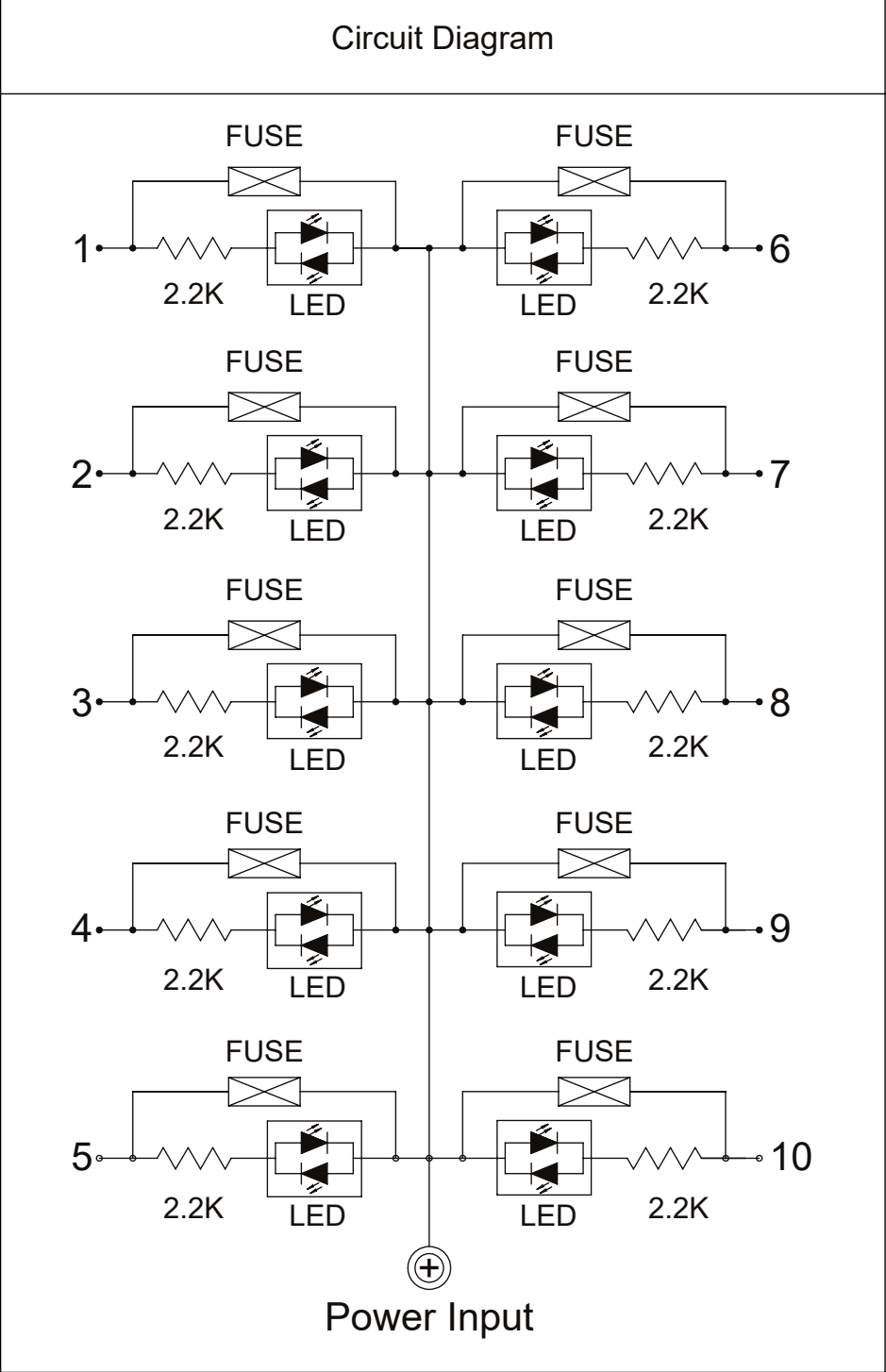
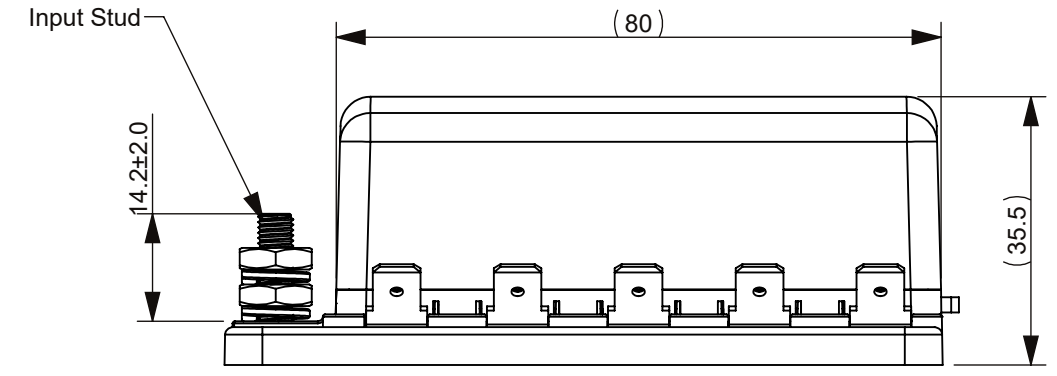
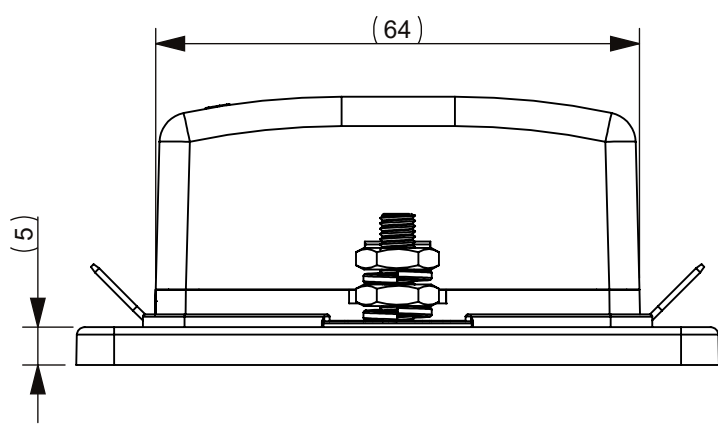
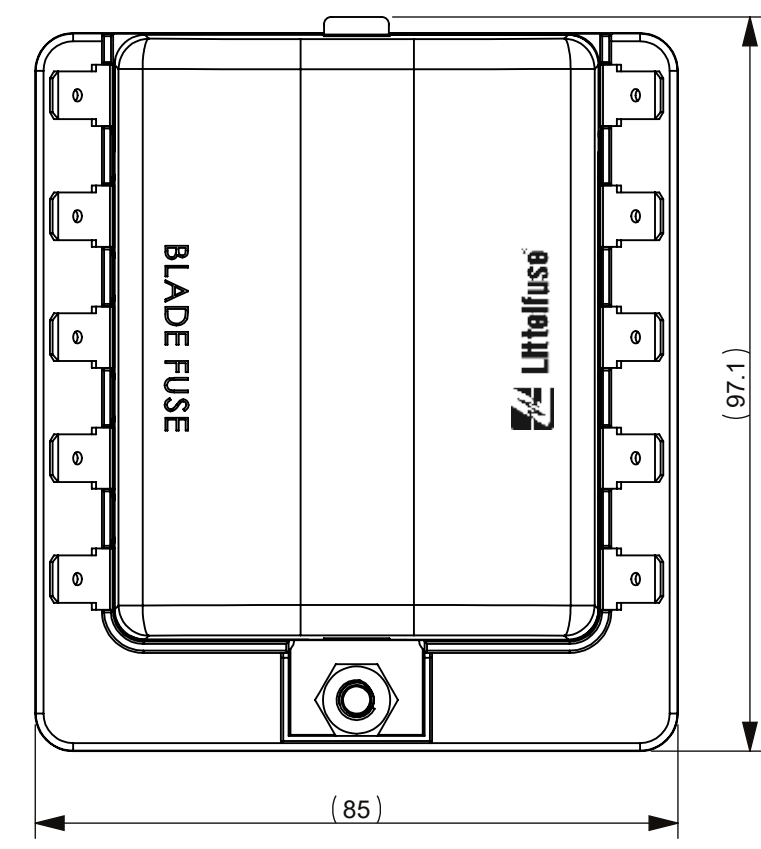


THIS DRAWING AND THE INFORMATION CONTAINED WITHIN IT ARE CONFIDENTIAL AND MAY NOT BE COPIED OR DISCLOSED WITHOUT THE WRITTEN PERMISSION OF LITTELFUSE.

REVISIONS				
ZONE	REV.	DESCRIPTION	DATE	APPROVED
	A	522970GCC NEW RELEASE DRAWING	04/MAR/2021	EDWARD J
	B	523612ECC UPDATE CIRCUIT DIAGRAM	09/APRIL/2021	EDWARD J
	C	523692 ECC CHANGE THE MOLDED CONTENTS TO LASER MARKING	11/MAY/2021	EDWARD J

Voltage (Max.)	32VDC	Mounting Screw	Blade Fuse Isometric View
Input Terminal Rating	#10-32 Threaded Studs(100A Max)	4x M5xP0.8xL25	
Output Terminal Rating	30A Max. Per Circuit		
Connection Pad Option Available	Input Wire Size:#4-6 AWG	Terminal Dim	Blade Fuse Dim
	Output Wire Size:#12-16AWG		
Fuse Specifications	For ATO Blade Fuses Only		ATO SERIELS
Torqure Rating for Input Stud	2.25+0/-0.2Nm(20 in-lb)		
Mounting Torque Rating	0.9+0/-0.1Nm(8 in-lb)		
Temperature Rating	-20 ° C to +85 °C		




- NOTES:
- MATERIALS:  
 BASE/HOUSING: BLACK PBT  
 COVER: TRANSPAREANCE PC  
 TERMINAL:TINNED COPPER  
 PUSH BOTTOM:POM WHITE
  - FUSES ASSEMBLY BY HANDS.
  - ALL FUSES MUST NOT EXCEED 70% OF RATED CURRENT
  - RED LED INDICATES WHEN FUSE IS BROKEN.

DIMENSIONS ARE SHOWN IN MILLIMETERS. DIMENSIONS AND TOLERANCES ARE DEFINED ACCORDING TO ANSI/ASME Y14.5-1994.

●	FIT FUNCTION CRITICAL CHARACTERISTICS SYMBOL
<S>	SAFETY/ COMPLIANCE CRITICAL CHARACTERISTICS SYMBOL
CPK	DENOTES CPK DIMENSIONS MINIMUM CPK VALUE
(ST)	DENOTES A CHARACTERISTIC THAT PROVIDES AN INDICATION OF PROCESS PERFORMANCE PROCEDURE FOR MEASUREMENT AND TRACKING TO BE DEFINED IN LITTELFUSE INSPECTION INSTRUCTIONS
CP	DENOTES CP DIMENSIONS - MINIMUM CP VALUE MUST BE WITHIN THE DIMENSIONAL LIMITATIONS SHOWN ON DRAWING AND INITIALLY LOCATED TO ALLOW FOR MAXIMUM TOOL LIFE

DIMENSION: MM TOLERANCES UNLESS OTHERWISE SPECIFIED  
 ONE PLACE DECIMAL ± 0.5      THREE PLACES DECIMAL ± 0.100  
 TWO PLACES DECIMAL ± 0.20      ANGULAR ± 2°

NAME	DATE	
BRAWN Sunny Pan	22/OCT/2020	
CHECKED Jason Li	22/OCT/2020	
FORM NO: CVP-PE40-0006 REV A		TITLE STD DUTY ATO PDM 10 POS
THIRD ANGLE PROJECTION		
SIZE C	DWG. NO. OL-880023	REV. C
DO NOT SCALE DRAWING	SCALE 1:1	SHEET 1 OF 1