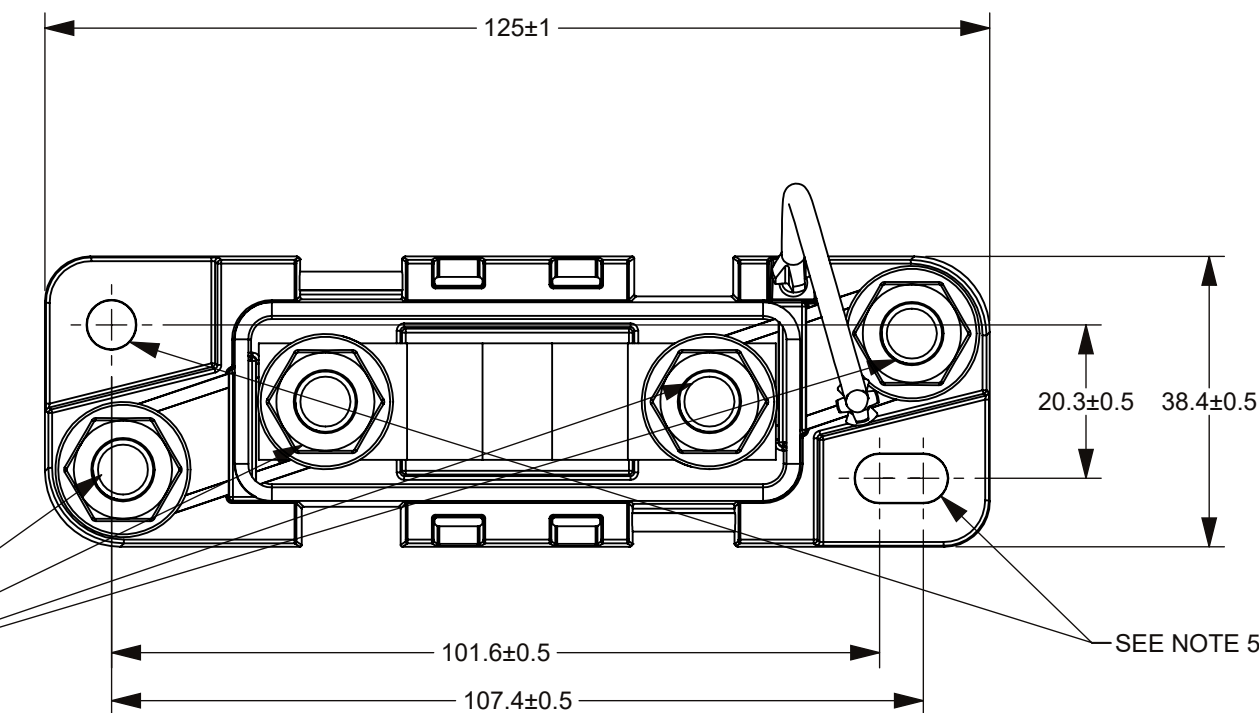
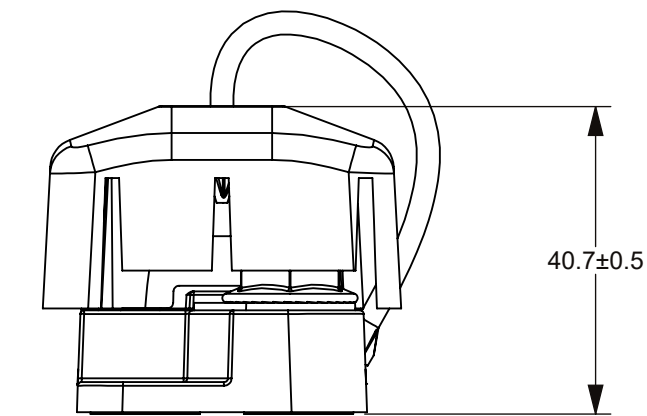
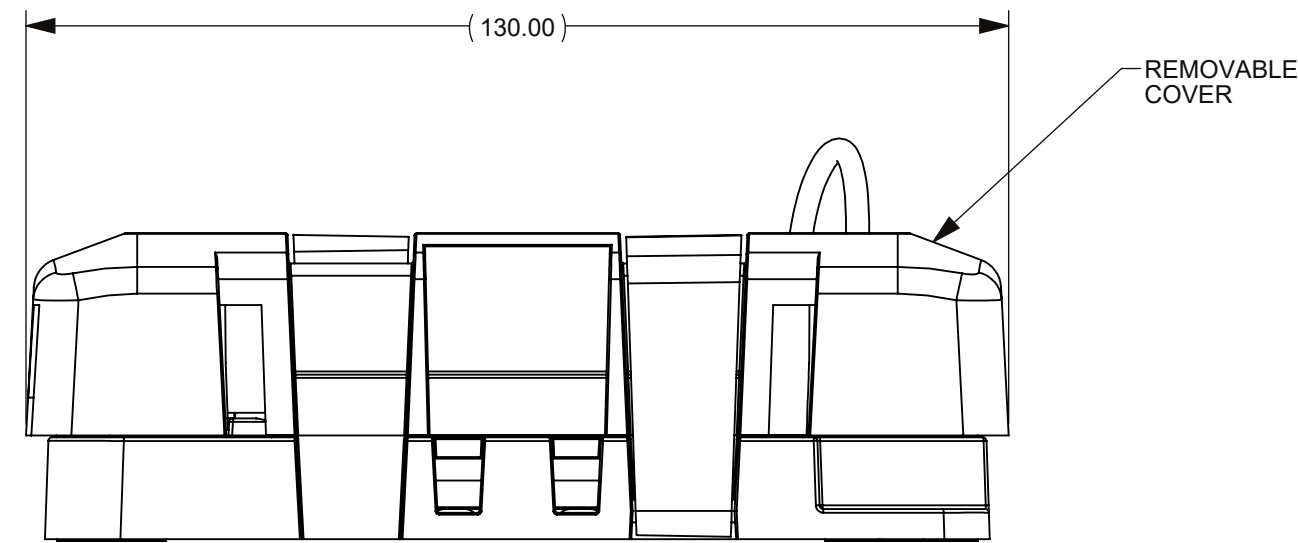
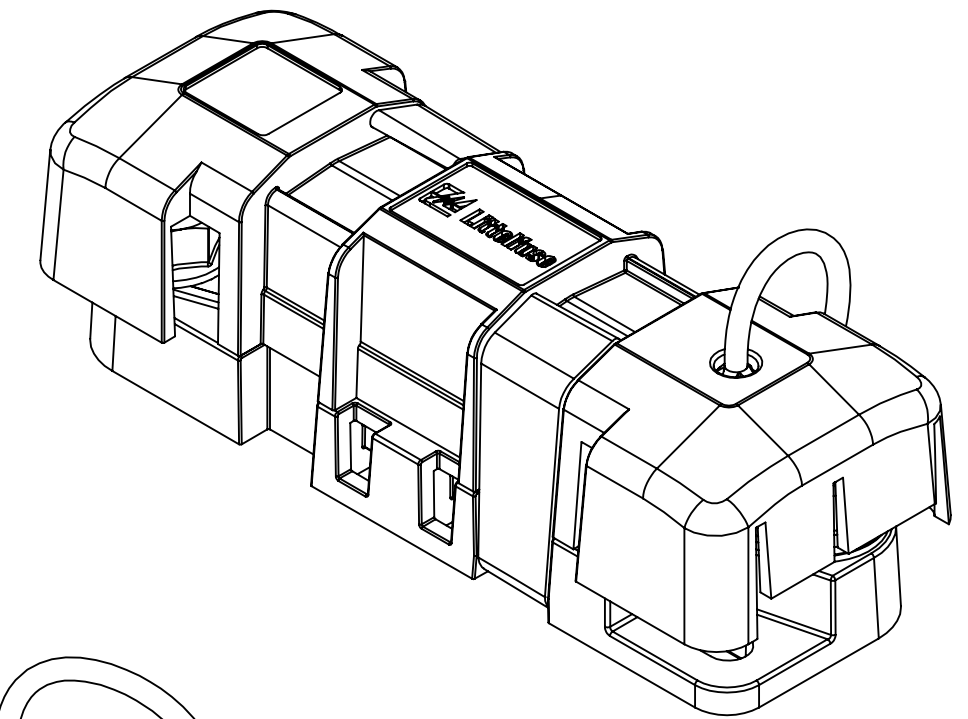
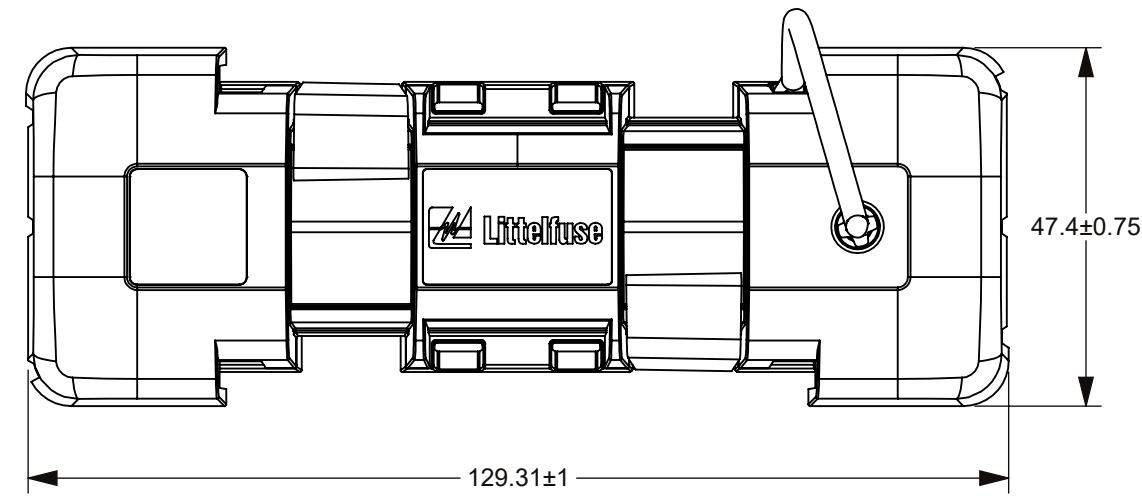


REVISIONS				
ZONE	REV.	DESCRIPTION	DATE	APPROVED
	A	PCO #5300036. INITIAL RELEASE. DSILVA	3/7/2022	L.ARGIL

- NOTES: (UNLESS OTHERWISE SPECIFIED)
1. ASSOCIATED CAD FILE DEFINES ALL NON DIMENSIONED FEATURES.
  2. PRODUCT WEIGHT: 0.18kg (0.4lb)
  3. RECOMMENDED INPUT TERMINAL STUD TORQUE: 20Nm (15Lb-ft) ±20%, MAX. TORQUE 30Nm(22Lb-ft).
  4. RECOMMENDED MOUNTING STUD TORQUE FOR LITTELFUSE MEGAFUSE: 12-18Nm. TIGHTENING SPEED: MAXIMUM 300 RPM
  5. MOUNTING TORQUE FOR M6 HOLES: 5-8 N-m (3.7-5.9 lb-ft)



PARAMETERS FOR TIGHTENING TORQUE, SEE NOTES 3 AND 4.

TOP VIEW COVER REMOVED

MATERIAL SPECIFICATION	
PARAMETER	VALUE
BASE(INsert MOLDED)	POLYAMIDE WITH GLASS FIBRE
TOP COVER	POLYCARBONATE
LATCH	ACETAL PLASTIC
TETHER	SILICONE RUBBER
COVER O-RING	NITRILE RUBBER
DEVICE HARDWARE(NUTS,STUDS, SCREWS)	STAINLESS STEEL
BUS BARS	COPPER ALLOY, TIN PLATE

TOLERANCES UNLESS OTHERWISE SPECIFIED  
 ONE PLACE DECIMAL ± 0.5    THREE PLACES DECIMAL ± 0.100  
 TWO PLACES DECIMAL ± 0.20    ANGULAR ± 2°

DIMENSIONS ARE SHOWN IN MILLIMETERS. DIMENSIONS AND TOLERANCES ARE DEFINED ACCORDING TO ANSI/ASME Y14.5-1994.

PER CHNPD20-008 PROCEDURE

- FIT/ FUNCTION CRITICAL CHARACTERISTICS
- <S> SAFETY/ COMPLIANCE CRITICAL CHARACTERISTICS SYMBOL
- CPK DENOTES CPK DIMENSIONS MINIMUM CPK VALUE
- (ST) DENOTES A CHARACTERISTIC THAT PROVIDES AN INDICATION OF PROCESS PERFORMANCE PROCEDURE FOR MEASUREMENT AND TRACKING TO BE DEFINED IN LITTELFUSE INSPECTION INSTRUCTIONS
- CP DENOTES CP DIMENSIONS. -MINIMUM CP VALUE MUST BE WITHIN THE DIMENSIONAL LIMITATIONS SHOWN ON DRAWING AND INITIALLY LOCATED TO ALLOW FOR MAXIMUM TOOL LIFE

DRAWN	NAME	DATE
CHECKED	DSILVA	2/2/2022

FORM NO. CVP-PE40-0005 REV B  
 THIRD ANGLE PROJECTION

**Littelfuse**  
 Expertise Applied | Answers Delivered

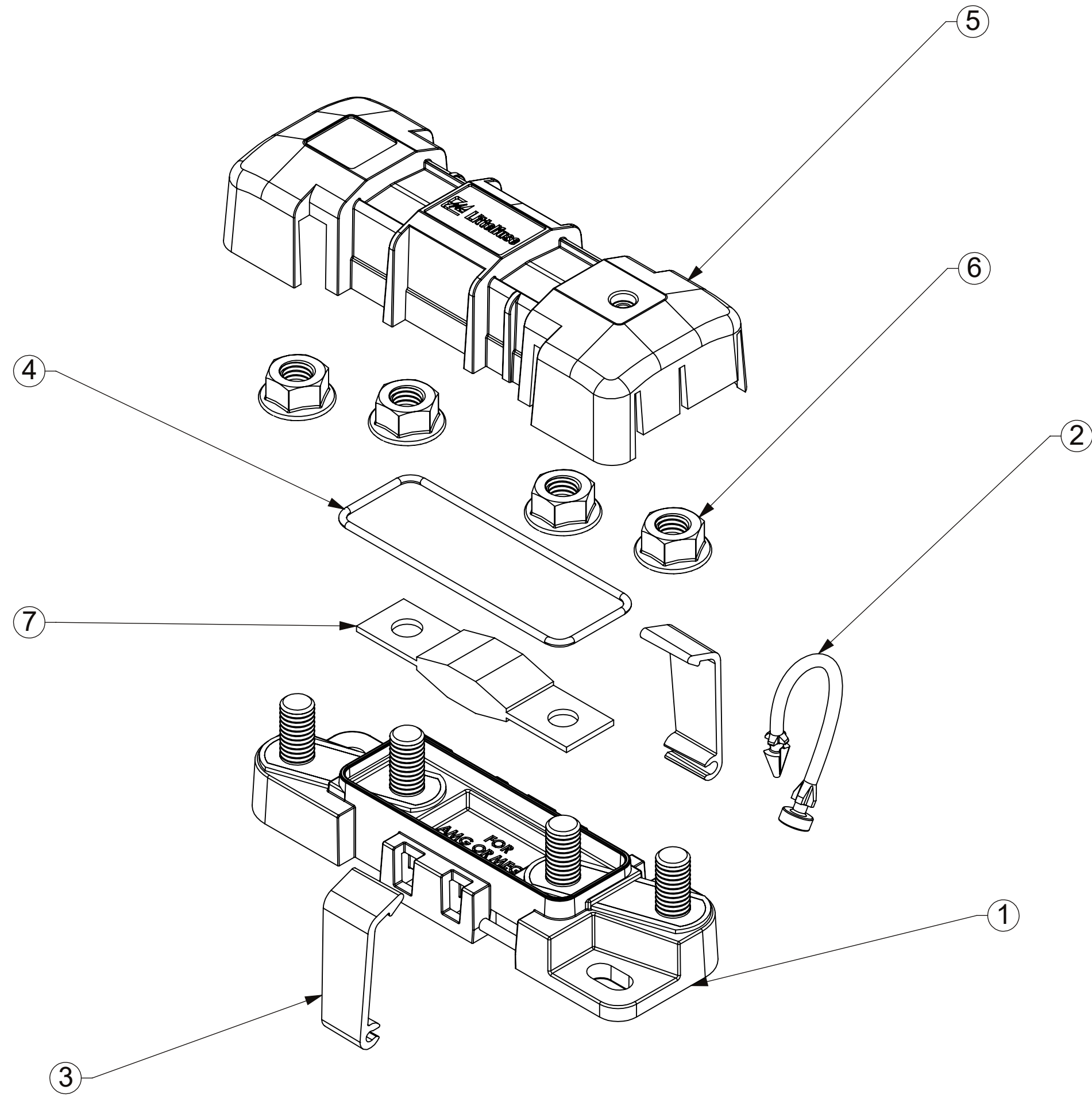
TITLE FUSE BLOCK SEALED MEGA W-FUSES

SIZE	DWG. NO.	REV.
C	OUTLINE	OL-880014000 A

DO NOT SCALE DRAWING    SCALE 1:1    SHEET 1 OF 2

THIS DRAWING AND THE INFORMATION CONTAINED WITHIN IT ARE CONFIDENTIAL AND MAY NOT BE COPIED OR DISCLOSED WITHOUT THE WRITTEN PERMISSION OF LITTELFUSE.

PART NUMBER	FUSE PART NUMBER
880014080	0298080.ZXEH
880014100	0298100.ZXEH
880014125	0298125.ZXEH
880014200	0298200.ZXEH
880014225	0298225.ZXEH
880014250	0298250.ZXEH
880014300	0298300.ZXH
880014350	0298350.ZXH
880014400	0298400.ZXH
880014450	0298450.ZXH
880014500	0298500.ZXH
880014150	0298150.ZXEH



NO.	COMPONENT NO.	COMPONENT NAME	QTY	U/M
7	SEE CHART	FUSE - MEGA 32V	1	EA
6	-	NUT M8 SERRATED HEX FLANGE SS	4	EA
5	-	COVER SEALED FUSE BLOCK TPS	1	EA
4	-	O-RING 56.8 X 1.5 MM	1	EA
3	-	LATCH PNDB	2	EA
2	-	TETHER PNDB	1	EA
1	-	ASSEMBLY BASE FUSE BLOCK MEGA-AMG	1	EA

TOLERANCES UNLESS OTHERWISE SPECIFIED  
 ONE PLACE DECIMAL ± 0.5      THREE PLACES DECIMAL ± 0.100  
 TWO PLACES DECIMAL ± 0.20      ANGULAR ± 2°

DIMENSIONS ARE SHOWN IN MILLIMETERS. DIMENSIONS AND TOLERANCES ARE DEFINED ACCORDING TO ANSI/ASME Y14.5-1994.

PER CHNPN20-008 PROCEDURE

- FIT/ FUNCTION CRITICAL CHARACTERISTICS
- <S> SAFETY/ COMPLIANCE CRITICAL CHARACTERISTICS SYMBOL
- CPK DENOTES CPK DIMENSIONS MINIMUM CPK VALUE
- (ST) DENOTES A CHARACTERISTIC THAT PROVIDES AN INDICATION OF PROCESS PERFORMANCE PROCEDURE FOR MEASUREMENT AND TRACKING TO BE DEFINED IN LITTELFUSE INSPECTION INSTRUCTIONS
- CP DENOTES CP DIMENSIONS. -MINIMUM CP VALUE MUST BE WITHIN THE DIMENSIONAL LIMITATIONS SHOWN ON DRAWING AND INITIALLY LOCATED TO ALLOW FOR MAXIMUM TOOL LIFE

NAME	DATE
DSILVA	2/2/2022
CHECKED	-
-	-
-	-

FORM NO. CVP-PE40-0005 REV B  
 THIRD ANGLE PROJECTION

DO NOT SCALE DRAWING      SCALE 1:1

**Littelfuse**  
 Expertise Applied | Answers Delivered

TITLE FUSE BLOCK SEALED MEGA W-FUSES

SIZE C      DWG. NO. OL-880014000      REV. A  
 OUTLINE

SHEET 2 OF 2