

8

7

6

5

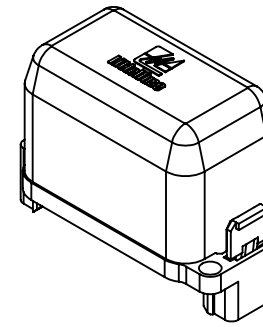
4

3

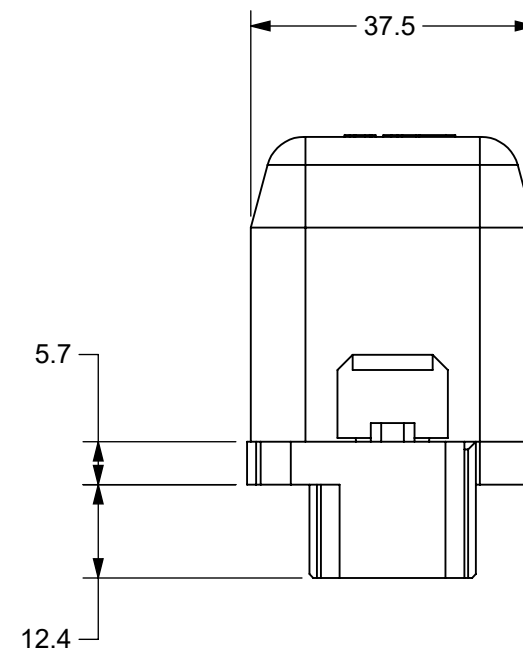
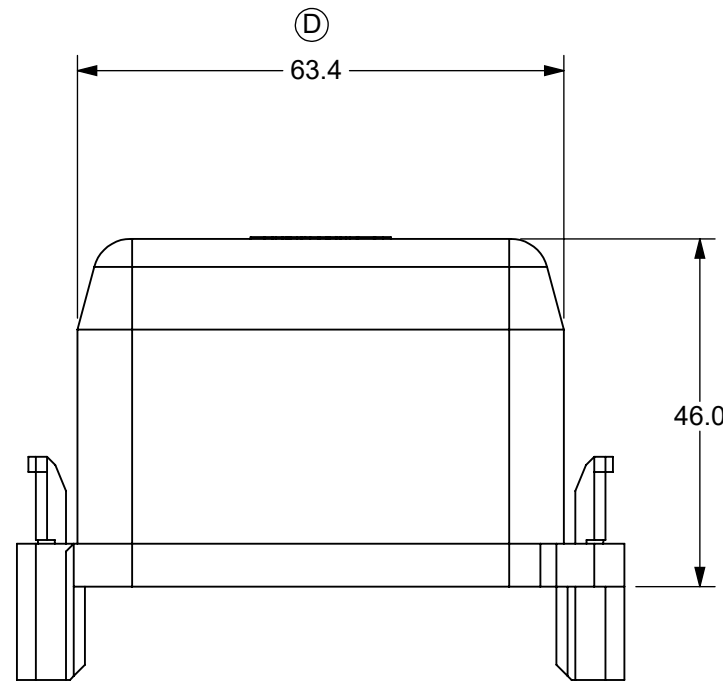
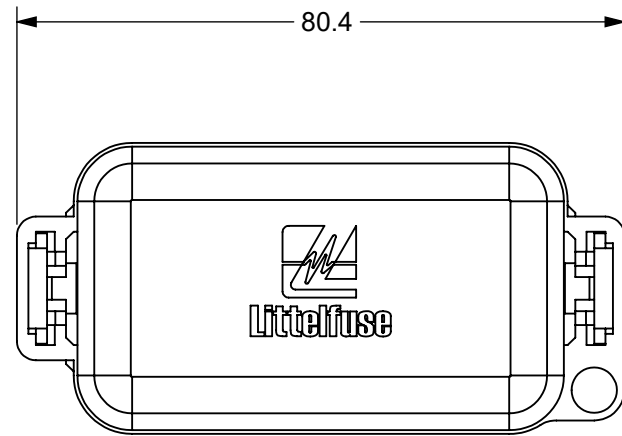
2

1

THIS DRAWING AND THE INFORMATION CONTAINED WITHIN IT ARE CONFIDENTIAL AND MAY NOT BE COPIED OR DISCLOSED WITHOUT THE WRITTEN PERMISSION OF LITTELFUSE.



REVISIONS				
ZONE	REV.	DESCRIPTION	DATE	APPROVED
	A	504798ERA - INITIAL RELEASE F.YUE	3/21/2012	
	B	504988ECA - ADDED ERN NUMBER TO REVISION A F.YUE	5/18/2012	
	C	507139ECA - ADD TETHER SLOT F.YUE	1/05/2013	
	D	ECN523172 - UPDATED COVER DIMENSIONS S.CASTILLO	7/7/2021	L.ARGIL



NOTE:

1. MATERIAL: NYLON66 - BLACK.
2. ALL DIMENSIONS SHOWN FOR REFERENCE ONLY.
3. USED WITH HWB18 BASE (868-063) AND SEAL (901-106).

DIMENSIONS ARE SHOWN IN MILLIMETERS. DIMENSIONS AND TOLERANCES ARE DEFINED ACCORDING TO ANSI/ASME Y14.5-1994.	
●	FIT/ FUNCTION CRITICAL CHARACTERISTICS
<S>	SAFETY/ COMPLIANCE CRITICAL CHARACTERISTICS SYMBOL
CPK	DENOTES CPK DIMENSIONS MINIMUM CPK VALUE
ST	DENOTES A CHARACTERISTIC THAT PROVIDES AN INDICATION OF PROCESS PERFORMANCE.PROCEDURE FOR MEASUREMENTAND TRACKING TO BE DEFINED IN LITTELFUSE INSPECTION INSTRUCTIONS
CP	DENOTES CP DIMENSIONS. -MINIMUM CP VALUE MUST BE WITHIN THE DIMENSIONAL LIMITATIONS SHOWN ON DRAWING AND INITIALLY LOCATED TO ALLOW FOR MAXIMUM TOOL LIFE

NAME	DATE	<p>Littelfuse Expertise Applied Answers Delivered</p>
DRAWN F.YUE	3/21/2012	
CHECKED -	-	
-	-	
FORM NO: CVP-PE40-0003 REV B	TITLE	COVER OUTLINE (HWB18)
THIRD ANGLE PROJECTION		
SIZE B	DWG. NO. OUTLINE	REV. D
SCALE 1:1	OL-873-032	SHEET 1 OF 1

DIMENSIONS (mm)	0.5 - 3	3 - 6	6 - 30	30 - 120	120 - 400
TOLERANCE (mm)	±0.10	±0.10	±0.20	±0.30	±0.50

8

7

6

5

4

3

2

1