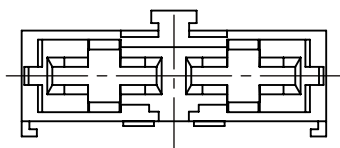
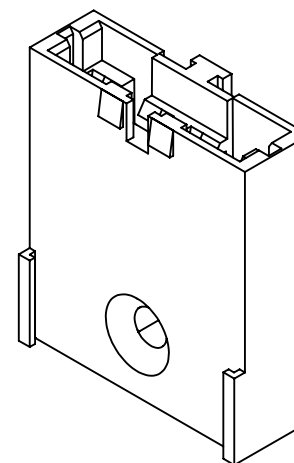
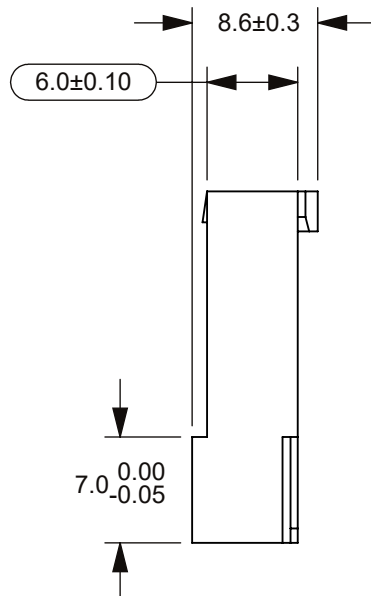
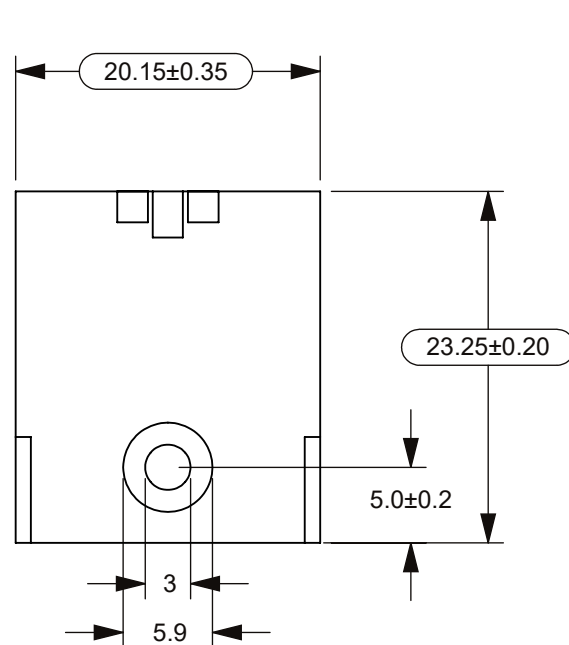


THIS DRAWING AND THE INFORMATION CONTAINED WITHIN IT ARE CONFIDENTIAL AND MAY NOT BE COPIED OR DISCLOSED WITHOUT THE WRITTEN PERMISSION OF LITTELFUSE.

REVISIONS				
ZONE	REV.	DESCRIPTION	DATE	APPROVED
	A	GCF #524724 INITIAL RELEASE. DSILVA.	1/25/2022	L.ARGIL



NOTES:

1. GENERAL TOLERANCES: DIN 16901-130
2. BASE RESIN: POLYETHYLENE (PET)
3. FLAME RETARDANT
4. COLOR: BLACK (ACCORDING BASE RESING)

NO.	COMPONENT NO.	COMPONENT NAME	QTY	U
TOLERANCES ULESS OTHERWISE SPECIFIED (REF. ISO 2768-fH)				
.5 to 3	>3 to 6	>6 to 30	>30 to 120	>120 to 400
±0.05	±0.05	±0.1	±0.15	±0.2
				ANGLE
				NONE

DIMENSIONS ARE SHOWN IN MILLIMETERS. DIMENSIONS AND TOLERANCES ARE DEFINED ACCORDING TO ANSI/ASME Y14.5-1994.

●	FIT/ FUNCTION CRITICAL CHARACTERISTICS
<S>	SAFETY/ COMPLIANCE CRITICAL CHARACTERISTICS SYMBOL
CPK	DENOTES CPK DIMENSIONS MINIMUM CPK VALUE
ST	DENOTES A CHARACTERISTIC THAT PROVIDES AN INDICATION OF PROCESS PERFORMANCE.PROCEDURE FOR MEASUREMENTAND TRACKINGTO BE DEFINED IN LITTELFUSE INSPECTION INSTRUCTIONS
CP	DENOTES CP DIMENSIONS. -MINIMUM CP VALUE MUST BE WITHIN THE DIMENSIONAL LIMITATIONS SHOWN ON DRAWING AND INITIALLY LOCATED TO ALLOW FOR MAXIMUM TOOL LIFE

NAME	DATE	 <b>Expertise Applied   Answers Delivered</b>
DRAWN D.SILVA	1/5/2022	
CHECKED -	-	<b>TITLE</b> FKH HALTER SCHWARZ
-	-	
FORM NO: CVP-PE40-0003 REV B	SIZE <b>B</b> DWG. NO. <b>OL-371.6150.0000</b> REV. <b>A</b>	
THIRD ANGLE PROJECTION	DO NOT SCALE DRAWING SCALE 2:1 SHEET 1 OF 1	