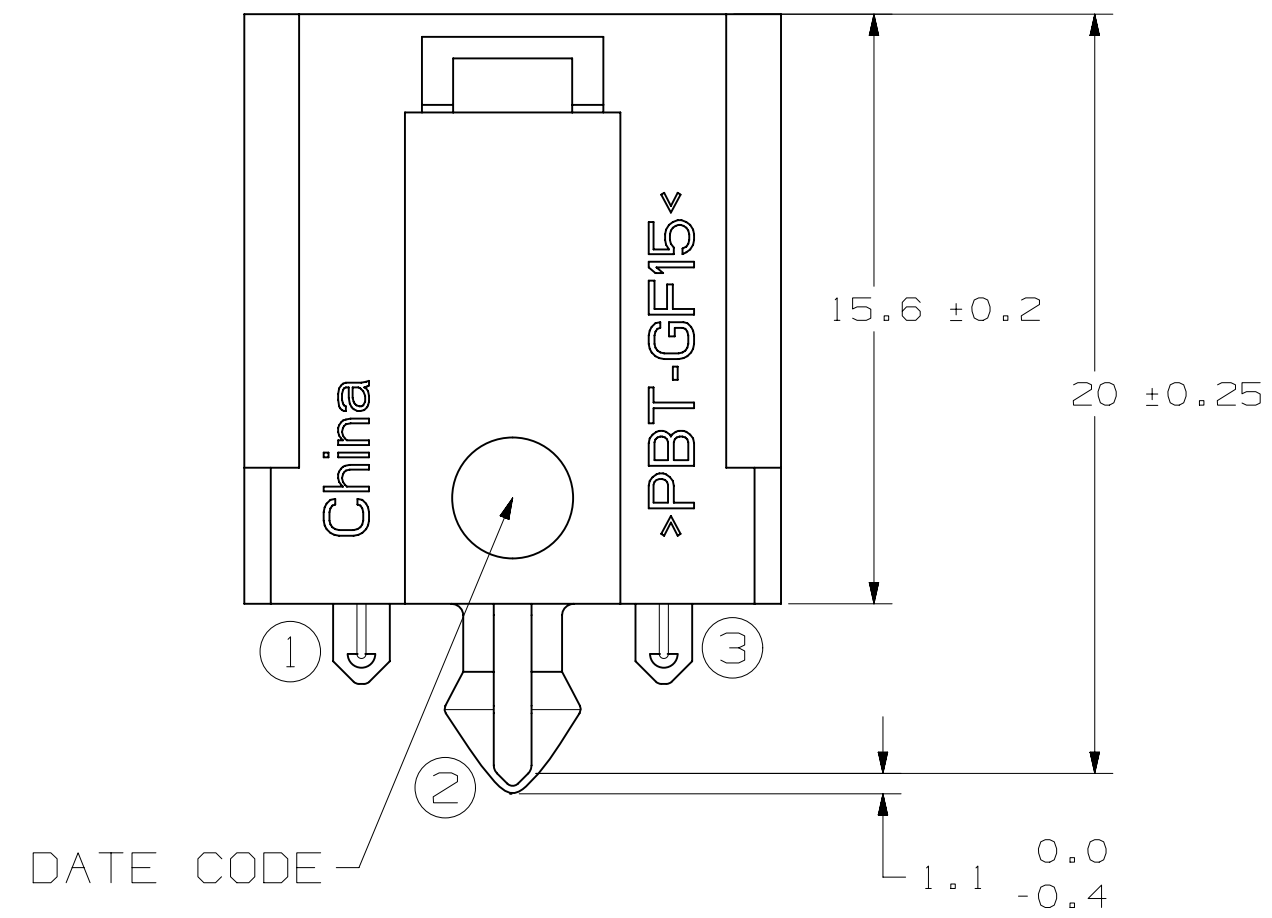
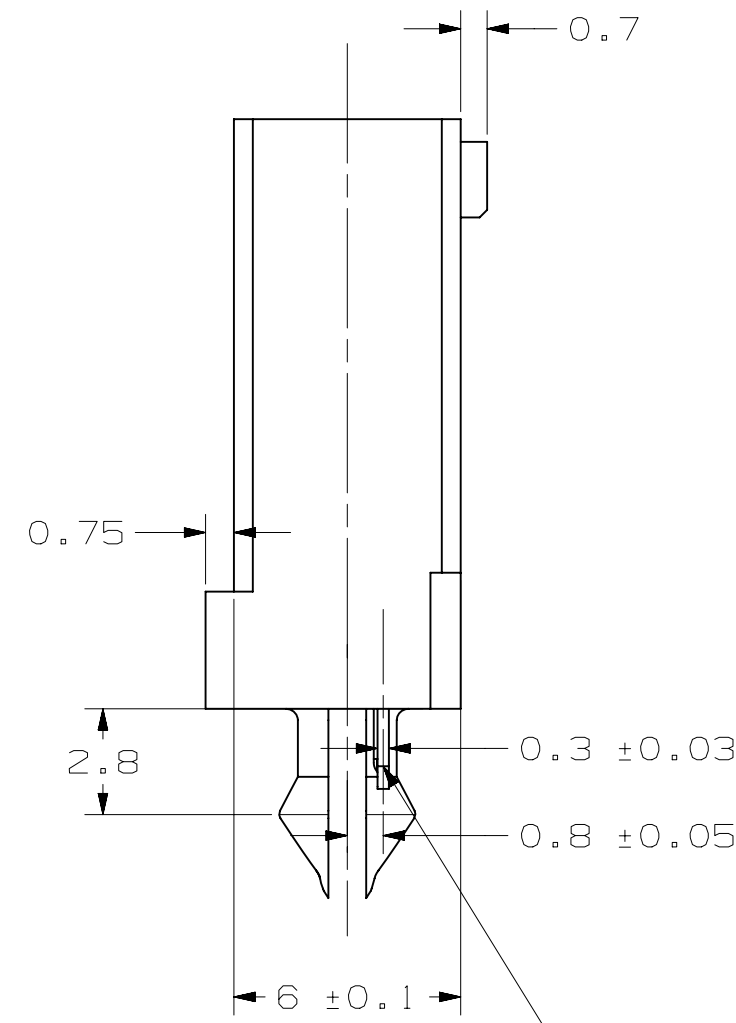
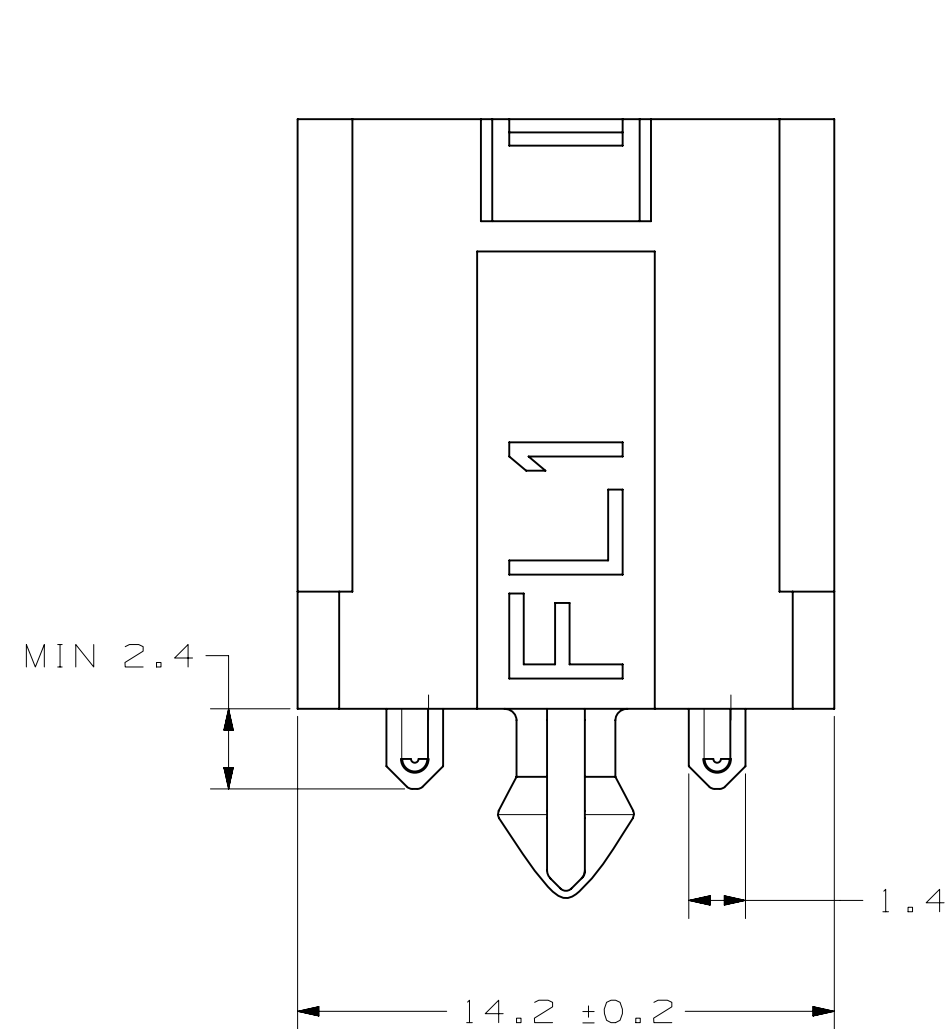


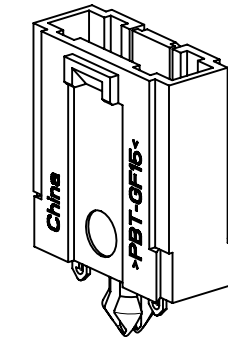
LTR	DATE	REVISION	CHK	APD
A	04/24/15	511284GCA-NEW RELEASE	FYUE	

NOTES:

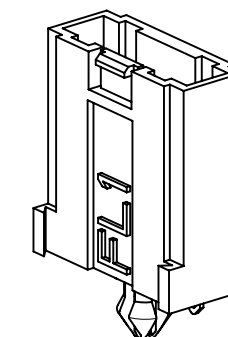
- MATERIALS:
 HOUSING: BLACK PBT, 15% GLASS FIBER REINFORCED
 TERMINAL: TIN PLATED COPPER ALLOY



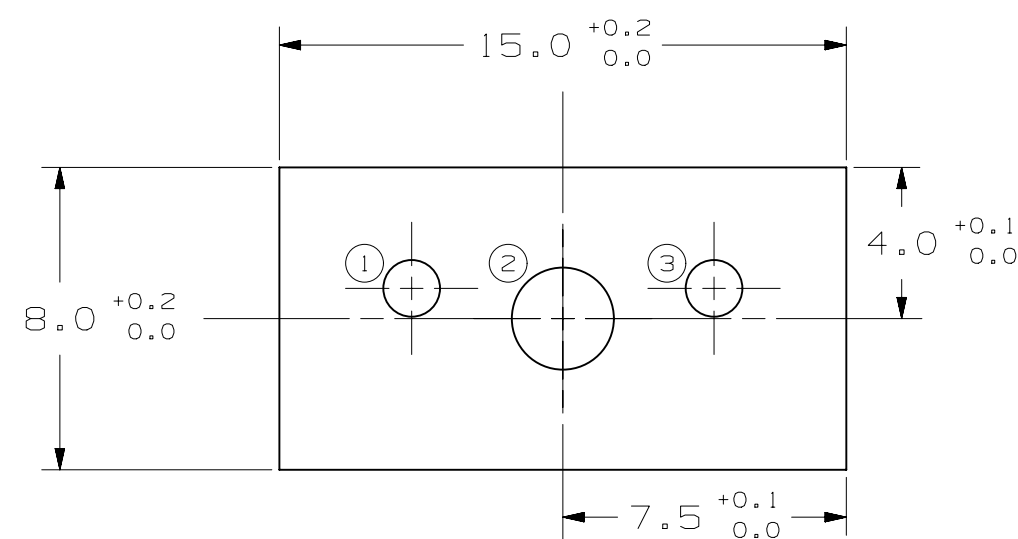
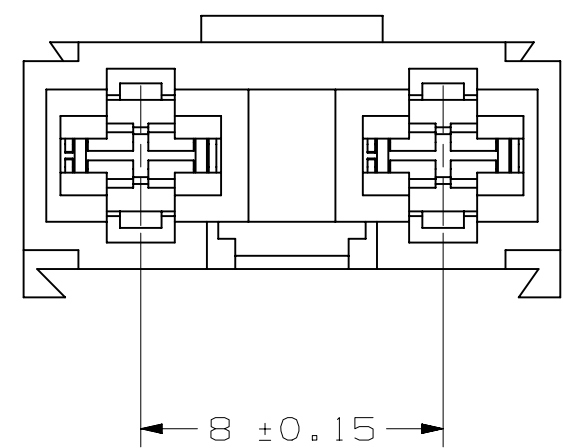
3D VIEW
SCALE 2:1



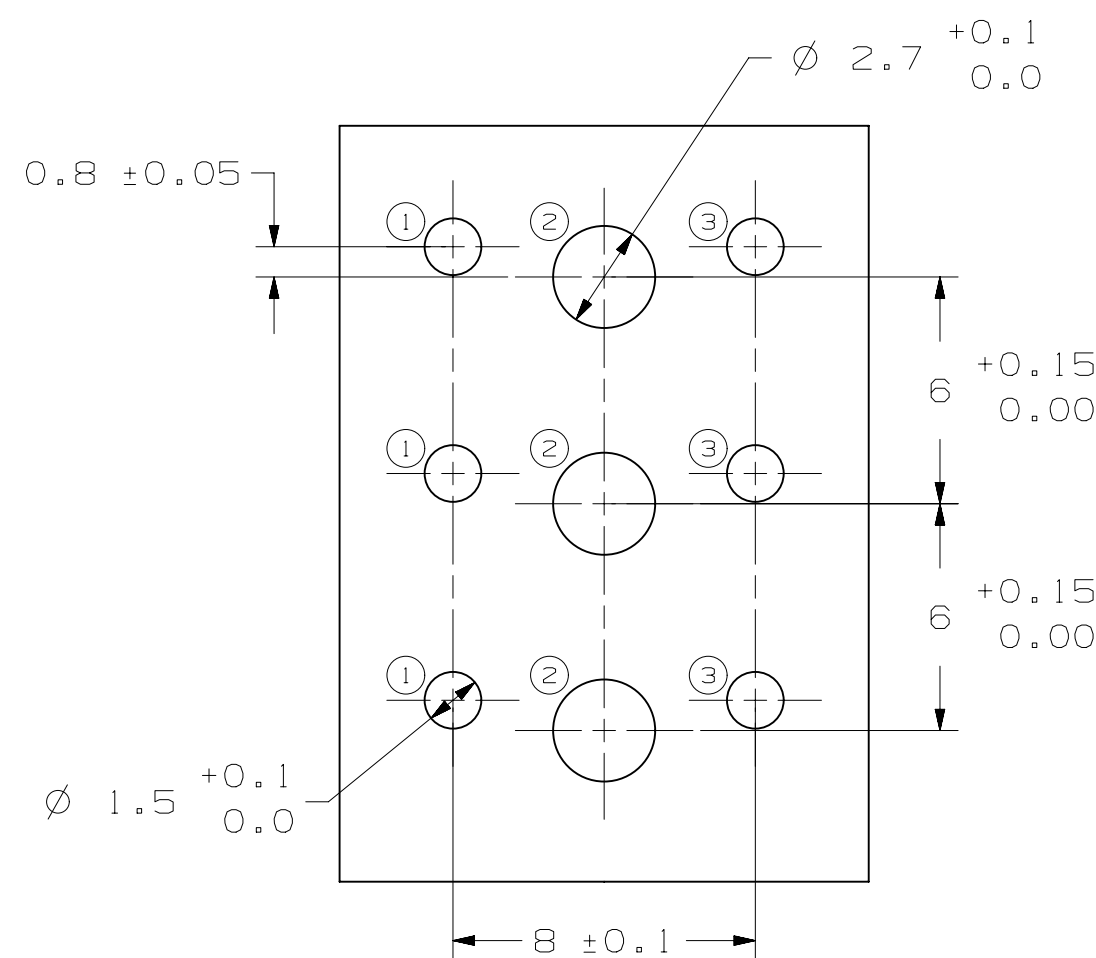
3D VIEW
SCALE 2:1



CONTACT ASYMMETRICAL
ON SIDE OF THE MATERIAL DECLARATION



MOUNTING HOLE SINGLE LAYOUT



MOUNTING HOLE ROW LAYOUT

NO	COMPONENT NO	DESCRIPTION	QTY/M	U/M
BILL OF MATERIAL				
UNLESS OTHERWISE SPECIFIED, DIMENSIONS ARE IN MILLIMETERS. DIMENSIONS IN BRACKETS [] ARE INCHES				
UNLESS OTHERWISE SPECIFIED, DIMENSIONS DO NOT INCLUDE PLATING.				
⊙	DENOTES CRITICAL CHARACTERISTICS.			
CPK	DENOTES CPK DIMENSIONS, -MINIMUM CPK VALUE			
ST	DENOTES A CHARACTERISTIC THAT PROVIDES AN INDICATION OF PROCESS PERFORMANCE. PROCEDURE FOR MEASUREMENT AND TRACKING TO BE DEFINED IN LITTELFUSE INSPECTION INSTRUCTIONS			
CP	DENOTES CP DIMENSIONS, -MINIMUM CP VALUE MUST BE WITHIN THE DIMENSIONAL LIMITATIONS SHOWN ON DRAWING AND INITIALLY LOCATED TO ALLOW FOR MAXIMUM TOOL LIFE			
COPIES TO	MATERIAL SPEC REFER TO NOTES			
1 9 18	FINISH REFER TO NOTES			
2 10 19	DRW FYUE DATE 04/24/15 SCALE 5:1			
3 12 20	CHK DATE SUPER DR			
4 13 21	APPD DATE FINISH GOOD WT			
5 14 23	GRAMS/PIECE			
6 15 33	TOLERANCES UNLESS OTHERWISE SPECIFIED (REF. ISO 2768-MH)			
7 16 43	DIMENSION 0.5 - 3 3 - 6 6 - 30 30 - 120 120 - 400			
8 17 53	TOLERANCE ±0.1 ±0.1 ±0.2 ±0.3 ±0.5			
3RD ANGLE PROJECTION				
TITLE FL1 PCB MINI FUSE HOLDER				
Littelfuse CHICAGO, USA 773-628-1000				
REVISION A DRWG. NO. 178.6764.0001 OUTLINE				

METRIC
ASSEMBLY

CAD GENERATED DRAWING - NO PENCIL CHANGES ALLOWED (REV C)