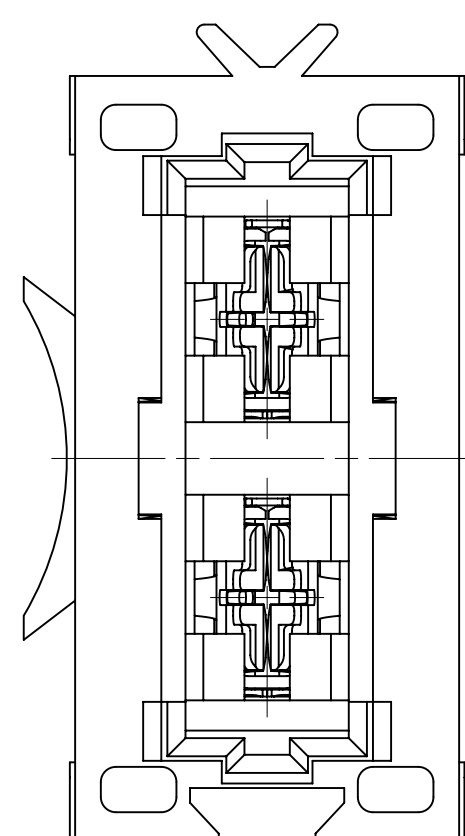
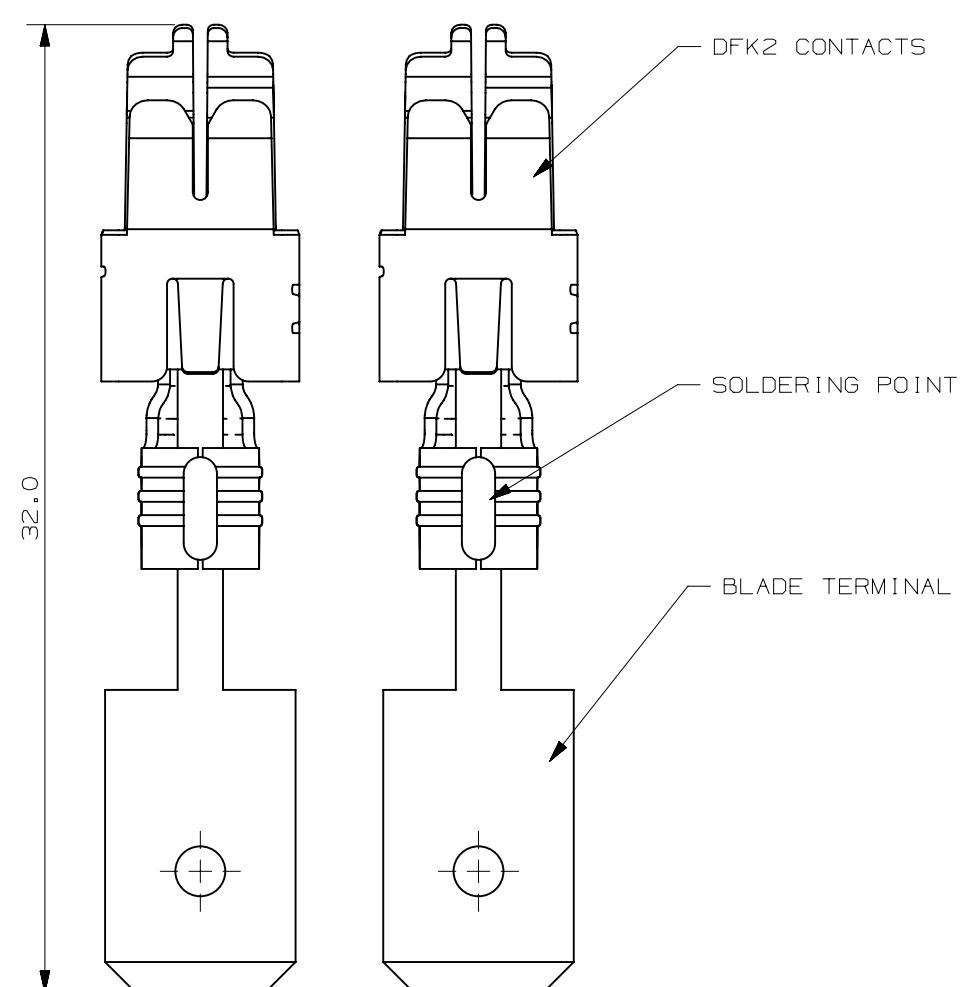
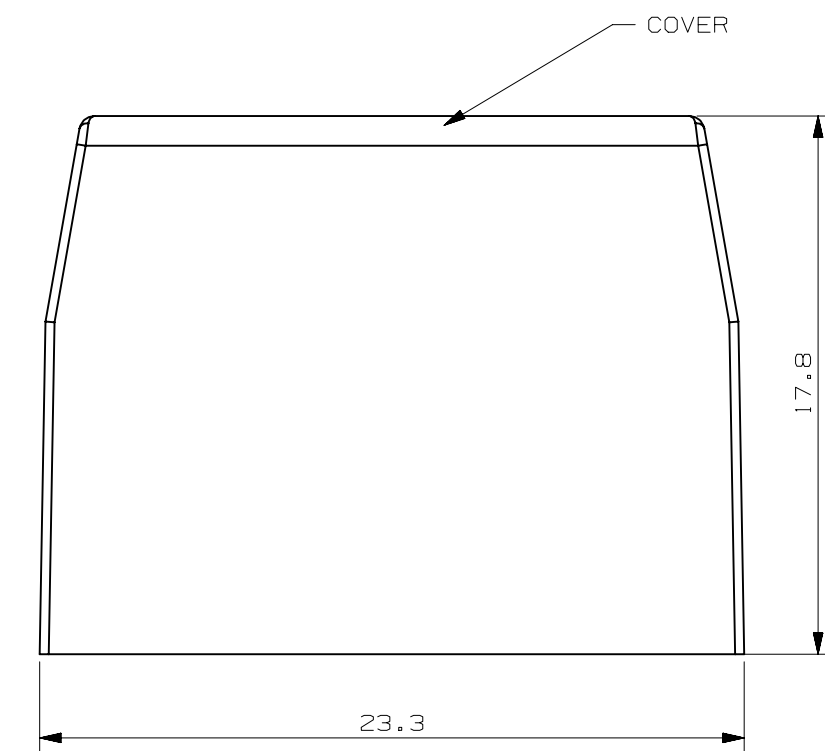
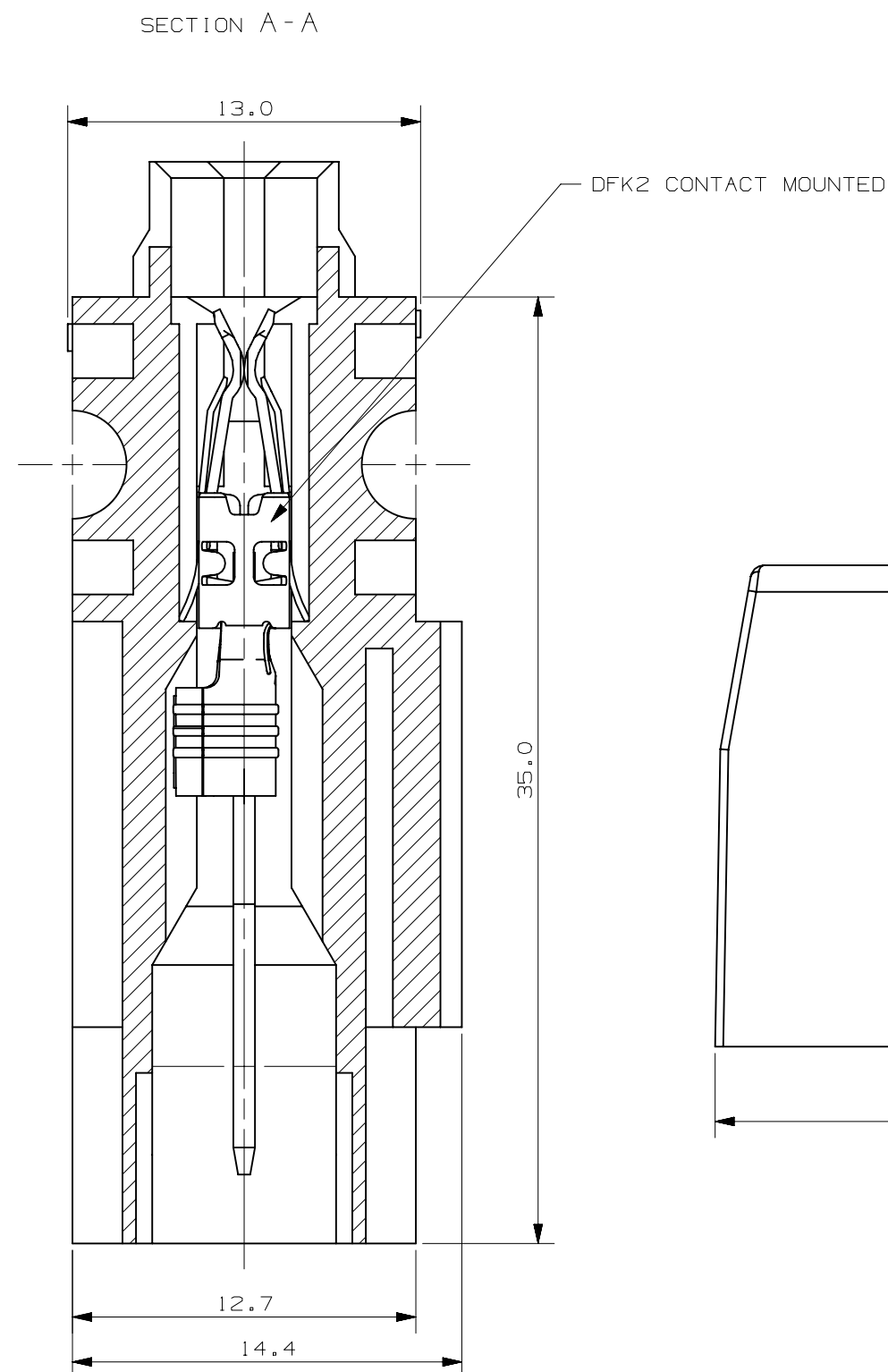
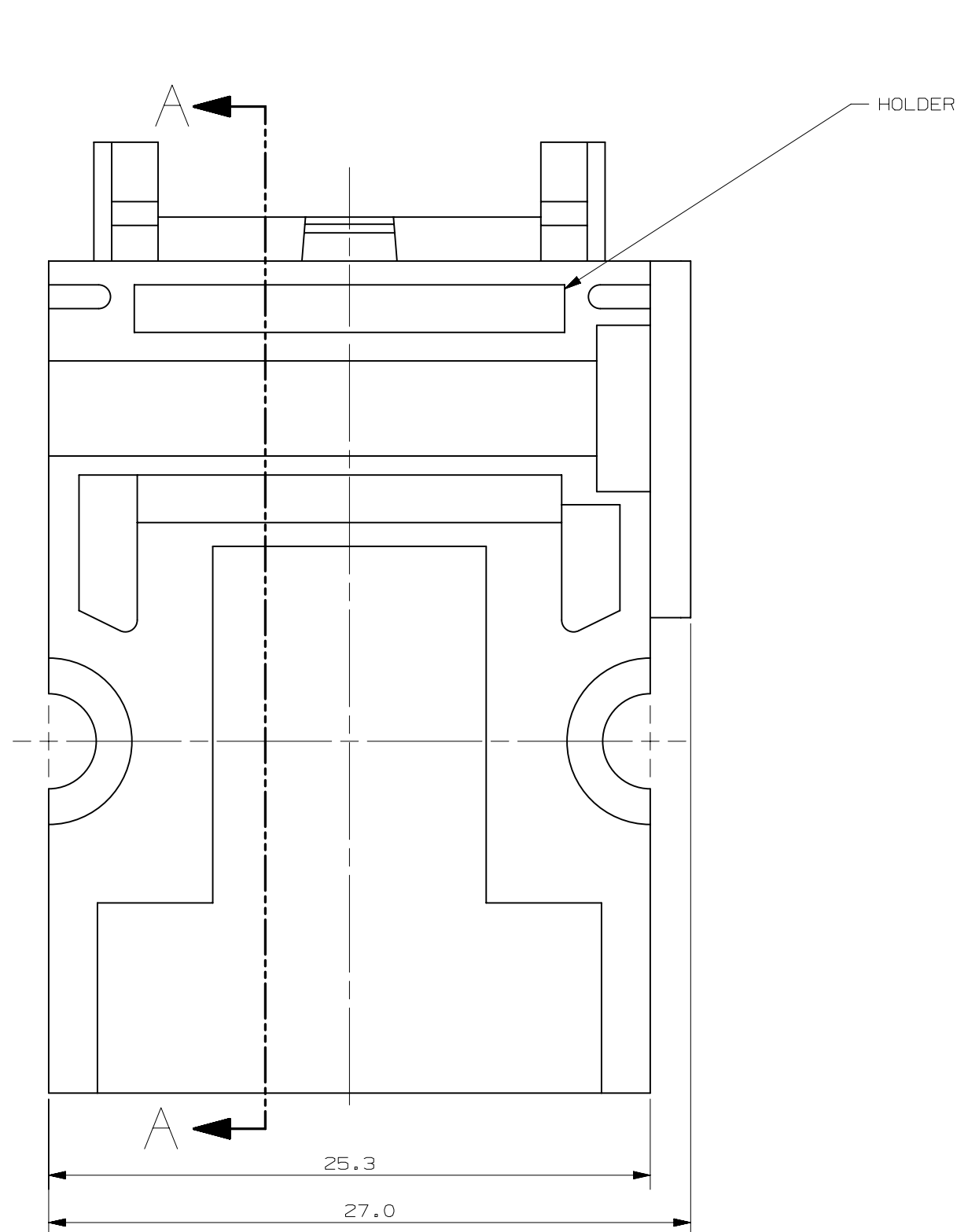


LTR	DATE	REVISION	CHK	APD
A	04/24/15	GCF511823GCA-NEW RELEASE	FYUE	



NO	COMPONENT NO	DESCRIPTION	QTY/M	U/M
-				
-				
-				

BILL OF MATERIAL			
UNLESS OTHERWISE SPECIFIED, DIMENSIONS ARE IN MILLIMETERS. DIMENSIONS IN BRACKETS [] ARE INCHES			
UNLESS OTHERWISE SPECIFIED, DIMENSIONS DO NOT INCLUDE PLATING.			
⊙	DENOTES CRITICAL CHARACTERISTICS.		
CPK	DENOTES CPK DIMENSIONS, -MINIMUM CPK VALUE		
ST	DENOTES A CHARACTERISTIC THAT PROVIDES AN INDICATION OF PROCESS PERFORMANCE. PROCEDURE FOR MEASUREMENT AND TRACKING TO BE DEFINED IN LITTELFUSE INSPECTION INSTRUCTIONS		
CP	DENOTES CP DIMENSIONS, -MINIMUM CP VALUE MUST BE WITHIN THE DIMENSIONAL LIMITATIONS SHOWN ON DRAWING AND INITIALLY LOCATED TO ALLOW FOR MAXIMUM TOOL LIFE		
COPIES TO	MATL SPEC COVER: THERMOPLAST HOLDER: THERMOPLAST DFK2 CONTACTS: COPPER ALLOY		
1 9 18	FINISH		
2 10 19	-		
3 12 20	DRW	DATE	SCALE
4 13 21	FYUE	04/24/15	4:1
5 14 23	CHK	DATE	SUPER DR
6 15 33	APPD	DATE	FINSH GOOD WT
7 16 43			
8 17 53			
TOLERANCES UNLESS OTHERWISE SPECIFIED (REF. ISO 2768-mK)			
DIMENSION	0.5 - 3	3 - 6	6 - 30
TOLERANCE	+0.1	+0.1	+0.2
			+0.3
			+0.5

METRIC
ASSEMBLY

Littelfuse
CHICAGO, USA 773-628-1000

REVISION: A
DRWG. NO.: 178.6105.1002
OUTLINE

CAD GENERATED DRAWING - NO PENCIL CHANGES ALLOWED (REV C)