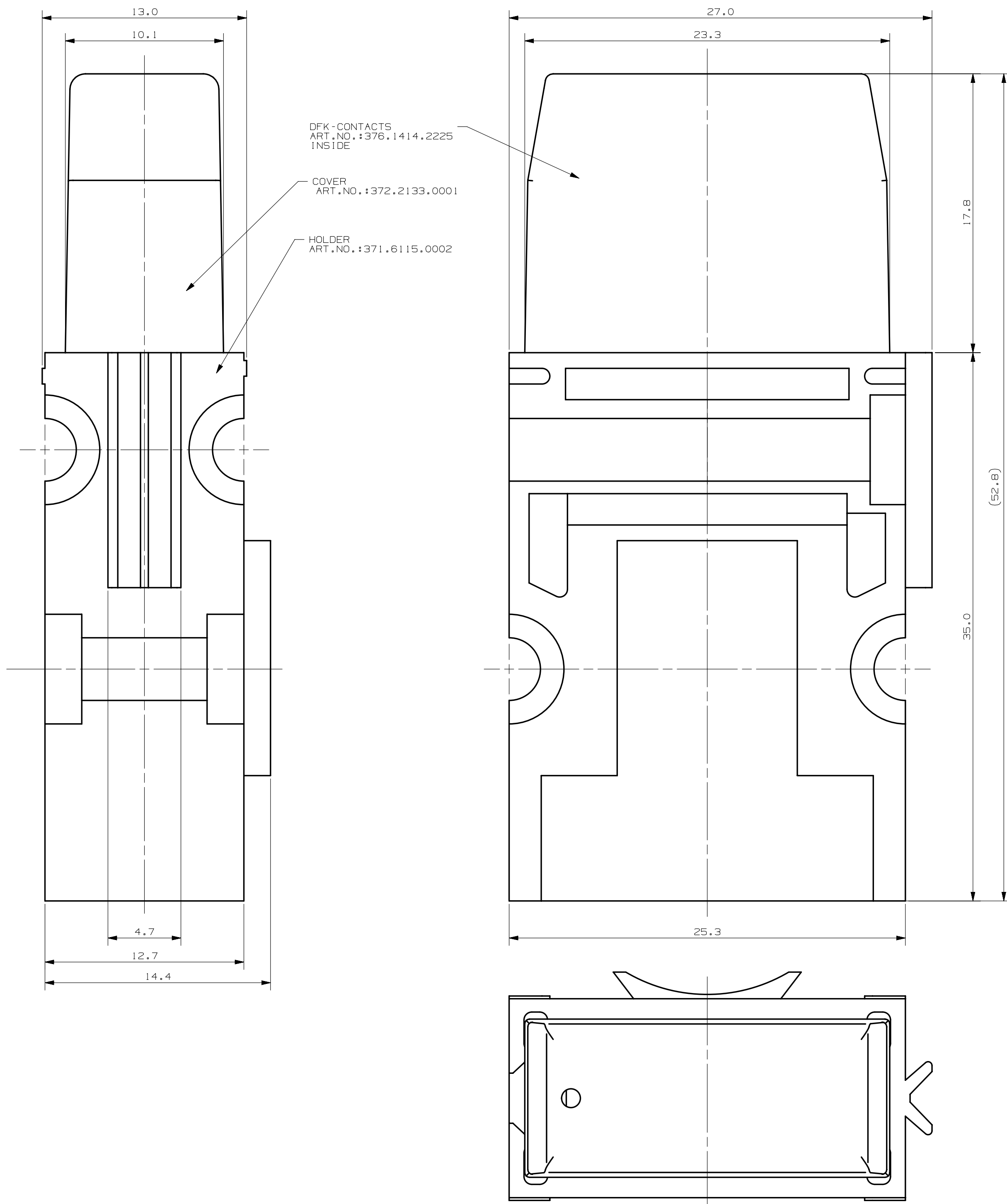
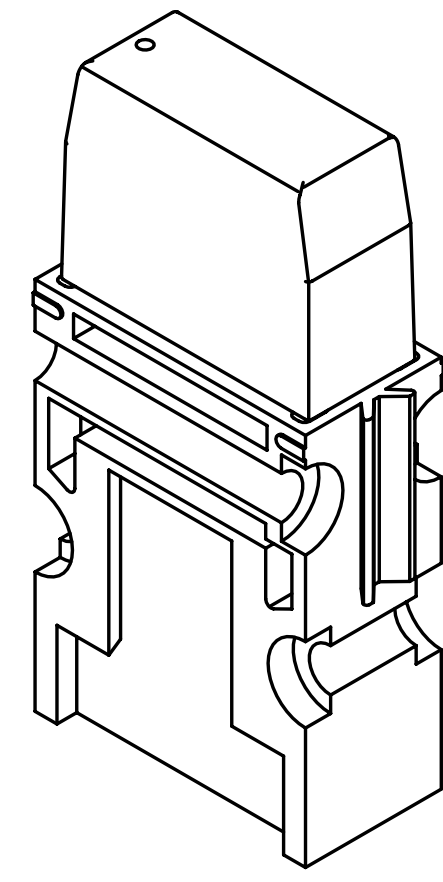


LTR	DATE	REVISION	CHK	APD
A	15/Feb/16	5155496CA-NEW RELEASED	FYUE	



3D VIEW
SCALE 2:1



UNLESS OTHERWISE SPECIFIED, DIMENSIONS ARE IN MILLIMETERS.
DIMENSIONS IN BRACKETS [] ARE INCHES

UNLESS OTHERWISE SPECIFIED, DIMENSIONS DO NOT INCLUDE PLATING.

⊙ DENOTES CRITICAL CHARACTERISTICS.

CPK DENOTES CPK DIMENSIONS, -MINIMUM CPK VALUE

ST DENOTES A CHARACTERISTIC THAT PROVIDES AN INDICATION OF PROCESS PERFORMANCE. PROCEDURE FOR MEASUREMENT AND TRACKING TO BE DEFINED IN LITTELFUSE INSPECTION INSTRUCTIONS

CP DENOTES CP DIMENSIONS, -MINIMUM CP VALUE MUST BE WITHIN THE DIMENSIONAL LIMITATIONS SHOWN ON DRAWING AND INITIALLY LOCATED TO ALLOW FOR MAXIMUM TOOL LIFE

COPIES TO

1	9	18
2	10	19
3	12	20
4	13	21
5	14	23
6	15	33
7	16	43
8	17	53

MATL SPEC COVER: THERMOPLASTIC
HOLDER: THERMOPLASTIC
DFK CONTACTS: COPPER ALLOY

FINISH -

DRW	FYUE	DATE	15/Feb/16	SCALE	5:1
CHK		DATE		SUPER DR	
APPD		DATE		FINSH GOOD WT	

TOLERANCES UNLESS OTHERWISE SPECIFIED (REF. ISO 2768-mK)

DIMENSION	0.5 - 3	3 - 6	6 - 30	30 - 120	120 - 400
TOLERANCE	+0.1	+0.1	+0.2	+0.3	+0.5

3RD ANGLE PROJECTION

TITLE FH2- BLOCKHOLDER, COMPLETE

METRIC ASSEMBLY

Littelfuse CHICAGO, USA 773-628-1000

REVISION A

DRWG. NO. 178.6105.0001

OUTLINE

CAD GENERATED DRAWING - NO PENCIL CHANGES ALLOWED (rev C)