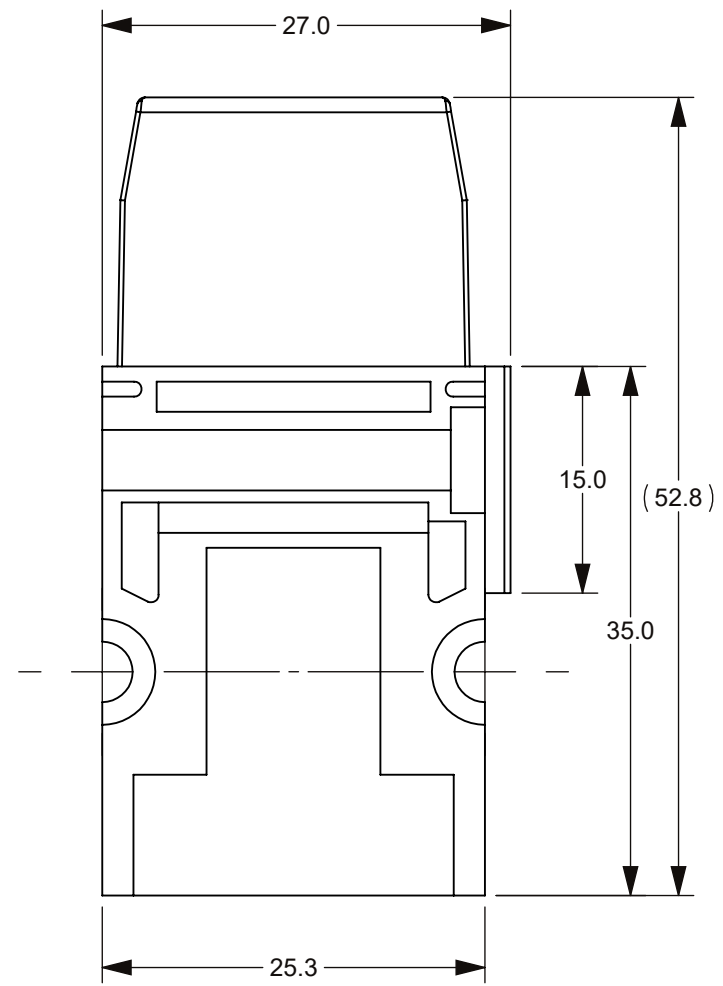
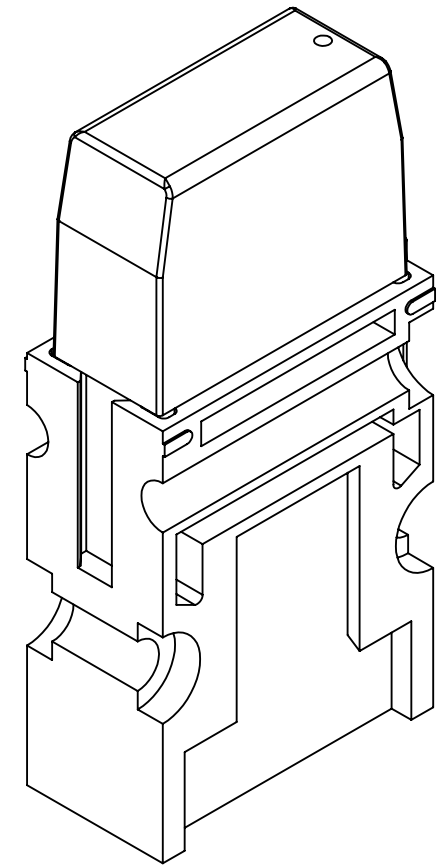
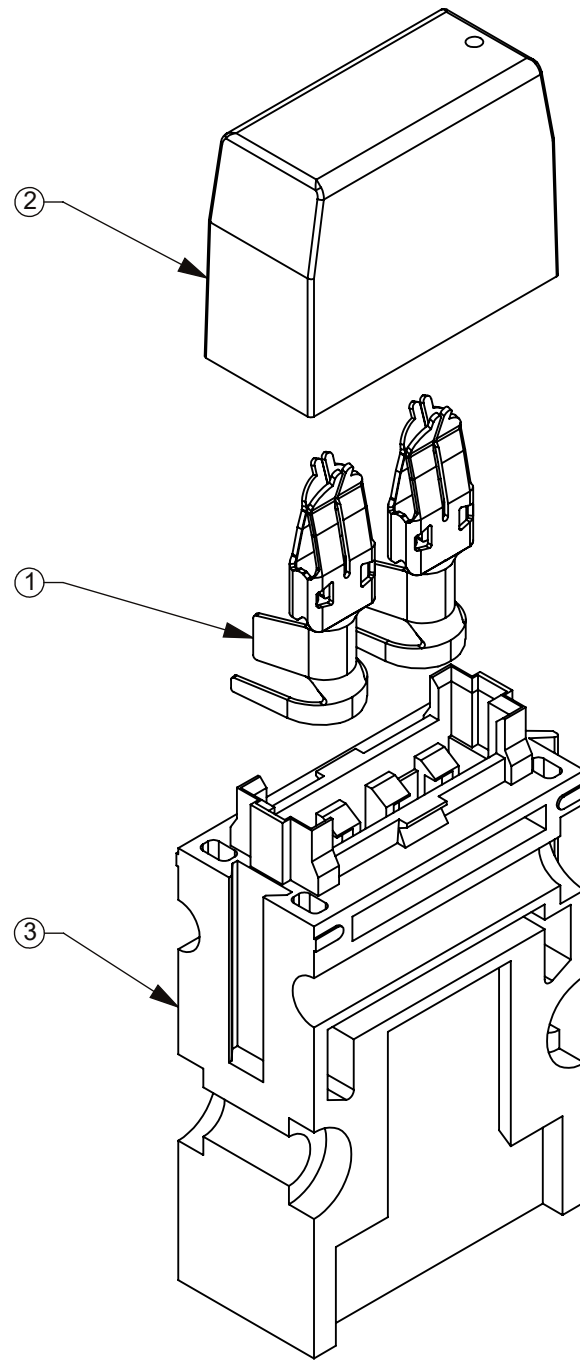
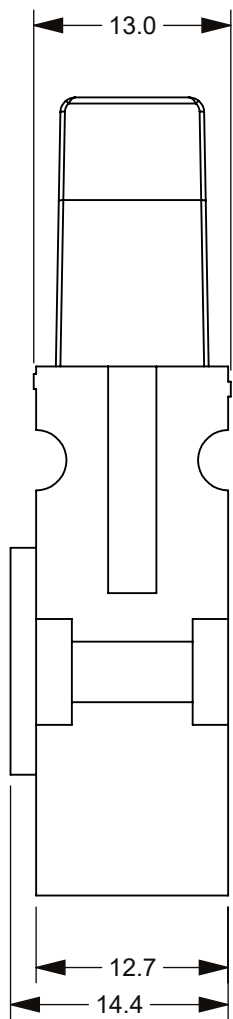
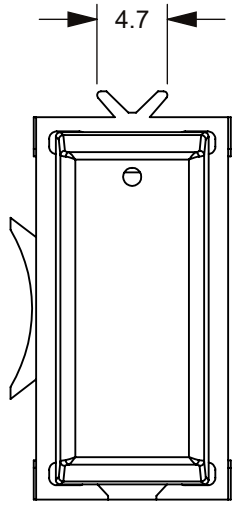


THIS DRAWING AND THE INFORMATION CONTAINED WITHIN IT ARE CONFIDENTIAL AND MAY NOT BE COPIED OR DISCLOSED WITHOUT THE WRITTEN PERMISSION OF LITTELFUSE.

ART. NR.	DESCRIPTION	NOTE
178.6105.0001	FH2 BLOCK HOLDER PKG 100 PCS	-
178.6105.0002	FH2 BLOCK HOLDER BULK 1000 PCS	-

REVISIONS				
ZONE	REV.	DESCRIPTION	DATE	APPROVED
	A	PCO #5300044. INITIAL RELEASED. DSILVA.	4/21/2022	L.ARGIL



- NOTES:
 1. MATERIAL
 1. COVER: THERMOPLASTIC
 2. HOLDER: THERMOPLASTIC
 3. DFK CONTACTS: COPPER ALLOY

NO.	COMPONENT NO.	COMPONENT NAME	QTY	U
3	-	HOUSING	1000	EAD
2	-	COVER	1000	EAD
1	-	DFK2 CONTACTS	2000	EAD

TOLERANCES UNLESS OTHERWISE SPECIFIED (REF. ISO 2768-mK)						
.5 to 3	>3 to 6	>6 to 30	>30 to 120	>120 to 400		ANGLE
+0.10	+0.10	+0.20	+0.30	+0.50		NONE

DIMENSIONS ARE SHOWN IN MILLIMETERS. DIMENSIONS AND TOLERANCES ARE DEFINED ACCORDING TO ANSIA/SME Y14.5-1994.

●	FTI/ FUNCTION CRITICAL CHARACTERISTICS
<S>	SAFETY/ COMPLIANCE CRITICAL CHARACTERISTICS SYMBOL
CPK	DENOTES CPK DIMENSIONS MINIMUM CPK VALUE
(ST)	DENOTES A CHARACTERISTIC THAT PROVIDES AN INDICATION OF PROCESS PERFORMANCE PROCEDURE FOR MEASUREMENT AND TRACKING TO BE DEFINED IN LITTELFUSE INSPECTION INSTRUCTIONS
CP	DENOTES CP DIMENSIONS. -MINIMUM CP VALUE MUST BE WITHIN THE DIMENSIONAL LIMITATIONS SHOWN ON DRAWING AND INITIALLY LOCATED TO ALLOW FOR MAXIMUM TOOL LIFE

NAME	DATE	Littelfuse	
DRAWN DSILVA	4/13/2022	Expertise Applied Answers Delivered	
CHECKED -	-	TITLE FH2 - BLOCKHOLDER, COMPLETE	
-	-	FORM NO. CVP-PE40-0005 REV B	REV. A
-	-	THIRD ANGLE PROJECTION	SIZE C
-	-	DO NOT SCALE DRAWING	DWG. NO. OL-178.6105.0000
-	-	SCALE 2:1	OUTLINE
-	-		SHEET 1 OF 1