

8

7

6

5

4

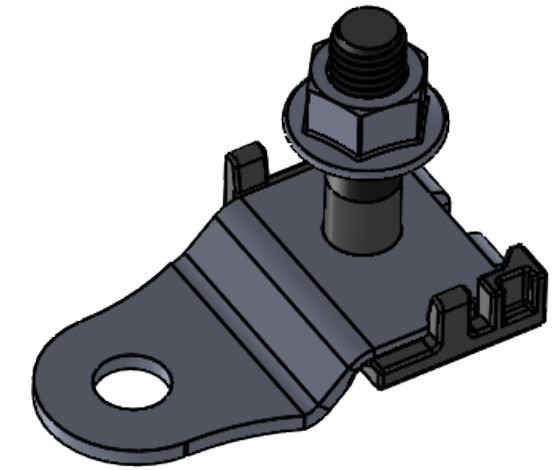
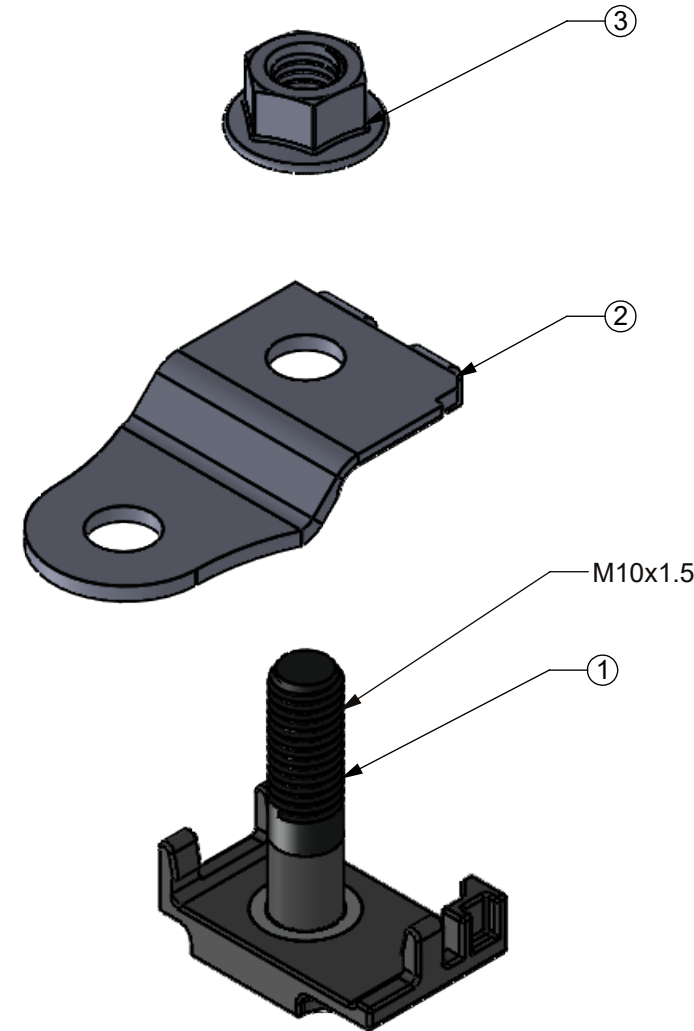
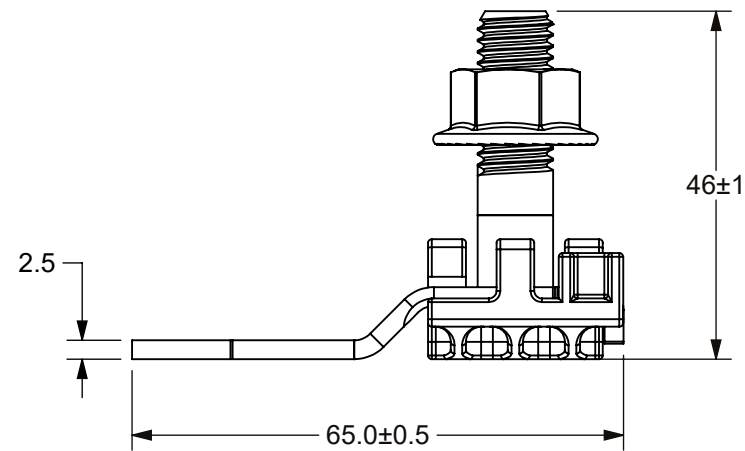
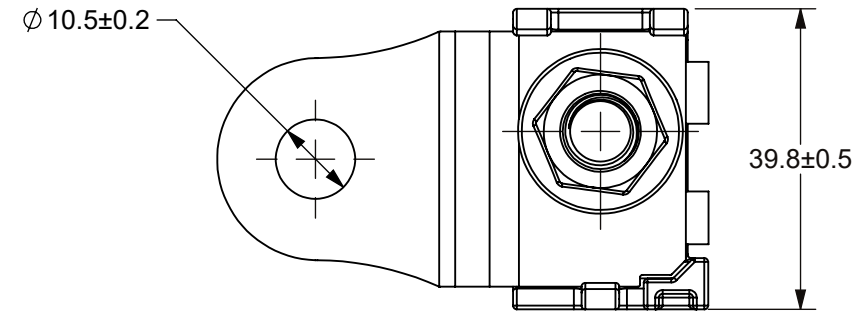
3

2

1

THIS DRAWING AND THE INFORMATION CONTAINED WITHIN IT ARE CONFIDENTIAL AND MAY NOT BE COPIED OR DISCLOSED WITHOUT THE WRITTEN PERMISSION OF LITTELFUSE.

REVISIONS				
ZONE	REV.	DESCRIPTION	DATE	APPROVED
	A	PCO5300241- INITIAL RELEASE	15/FEB/2023	Du.C



3	M10 FLANGE NUT	1
2	BUSBAR	1
1	BASE	1
NO.	COMPONENT NAME	QTY.

LIMIT DIMENSIONS OF PLASTIC MOLDED PARTS FOR NOMINAL SIZE RANGES PER ISO IN LITTELFUSE CVP-NPD20-0002, DIMENSIONS mm

1 to 3	>3 to 6	>6 to 10	>10 to 18	>18 to 30	>30 to 50	>50 to 80	>80 to 120	>120 to 180	>180 to 250	>250 to 315	>315 to 400	ANGLE
±0.08	±0.11	±0.14	±0.17	±0.20	±0.23	±0.36	±0.50	±0.58	±0.65	±0.70	±0.78	NONE

SURFACE PROFILE DIMENSIONS OF PLASTIC MOLDED PARTS FOR NOMINAL SIZE RANGES PER ISO IN LITTELFUSE CVP-NPD20-0002, DIMENSIONS mm

0.50	0.50	0.50	0.50	0.50	0.50	0.50	0.50	1.0	2.0	4.0	4.0
------	------	------	------	------	------	------	------	-----	-----	-----	-----

DIMENSIONS ARE SHOWN IN MILLIMETERS. DIMENSIONS AND TOLERANCES ARE DEFINED ACCORDING TO ANSI/ASME Y14.5-1994.

PER CHI-NPD20-0008 PROCEDURE	SYMBOL	DESCRIPTION
●		FIT/ FUNCTION CRITICAL CHARACTERISTICS
<S>		SAFETY/ COMPLIANCE CRITICAL CHARACTERISTICS SYMBOL
CPK		DENOTES CPK DIMENSIONS MINIMUM CPK VALUE
ST		DENOTES A CHARACTERISTIC THAT PROVIDES AN INDICATION OF PROCESS PERFORMANCE. PROCEDURE FOR MEASUREMENT AND TRACKING TO BE DEFINED IN LITTELFUSE INSPECTION INSTRUCTIONS
CP		DENOTES CP DIMENSIONS. -MINIMUM CP VALUE MUST BE WITHIN THE DIMENSIONAL LIMITATIONS SHOWN ON DRAWING AND INITIALLY LOCATED TO ALLOW FOR MAXIMUM TOOL LIFE

NOTES:

- MATERIAL:
BASE: PA66-GF25, UL94-V0
STUD: CARBON STEEL (ZINC-NICKEL PLATING)
BUSBAR: COPPER C110, TIN PLATED
NUT: STAINLESS STEEL
- OPERATING TEMPERATURE RANGE: -40°C TO +105°C
- MAX CONTINUOUS CURRENT: 400A
- MAX VOLTAGE: 80V
- RECOMMENDED M10 MOUNTING TORQUE: 18±2 N-m
- LF P/N: 0FHZ0241Z

DRAWN	NAME: Rex.L	DATE: 15/FEB/2022	<p>Littelfuse Expertise Applied Answers Delivered</p>
CHECKED	NAME: Du.C	DATE: 15/FEB/2022	
FORM NO: CVP-PE40-0003 REV B			TITLE
THIRD ANGLE PROJECTION			SMZ M10 FUSE HOLDER
DO NOT SCALE DRAWING	SCALE 1:1	SIZE B	DWG. NO. OL-0FHZ0241Z
		REV. A	SHEET 1 OF 1