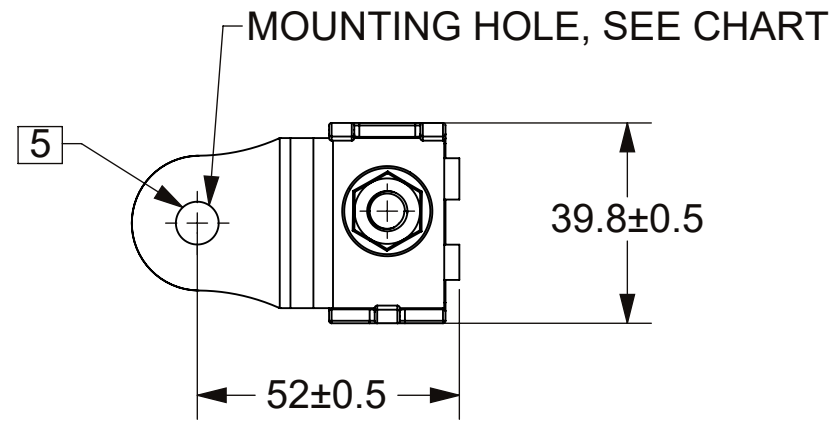


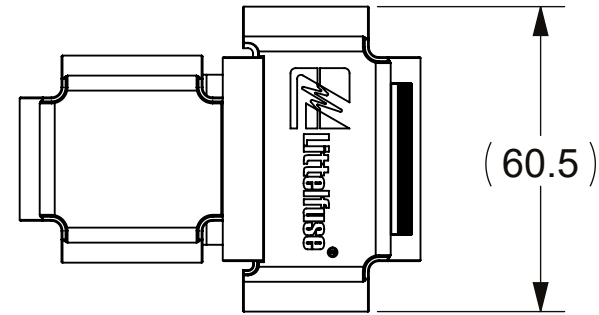
THIS DRAWING AND THE INFORMATION CONTAINED WITHIN IT ARE CONFIDENTIAL AND MAY NOT BE COPIED OR DISCLOSED WITHOUT THE WRITTEN PERMISSION OF LITTELFUSE.

| REVISIONS | | | | |
|-----------|------|---|------------|----------|
| ZONE | REV. | DESCRIPTION | DATE | APPROVED |
| | A | GCF #517922 INITIAL RELEASE | 09/21/2017 | J. LI |
| | B | ECR #520062 BUSBAR CHANGE TO SKINNY VERSION | 10/20/2018 | J. LI |
| | C | GCF #522153 ADD PNs FOR M6 STUD MOUNTING HOLE | 04/01/2020 | J. LI |

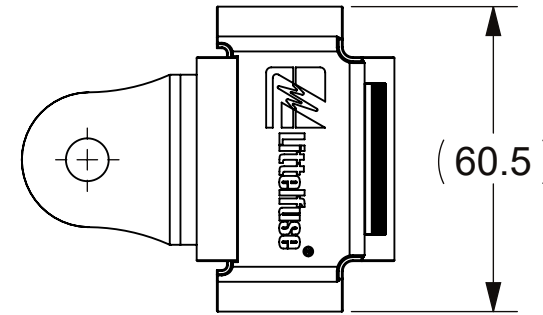
VIEW W/O COVER



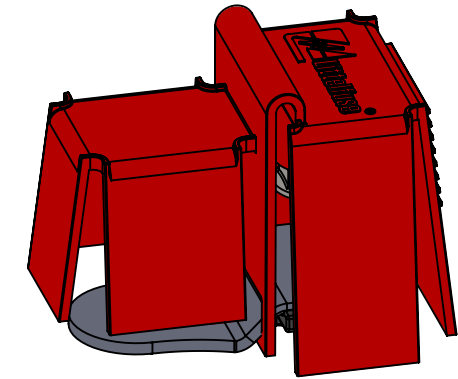
VIEW WITH FUSE&STUD COVER



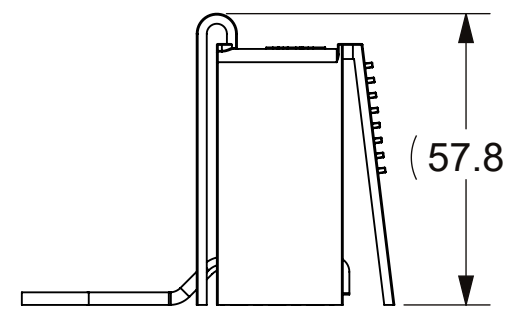
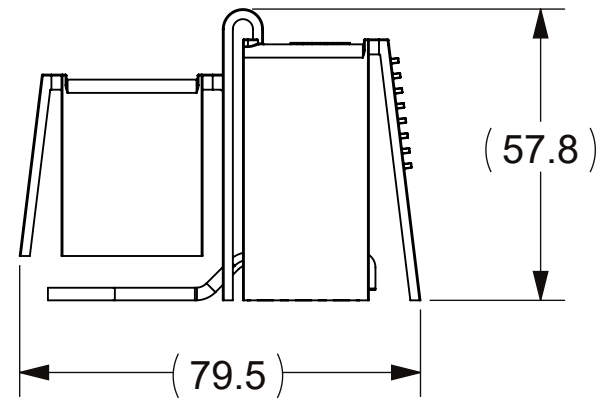
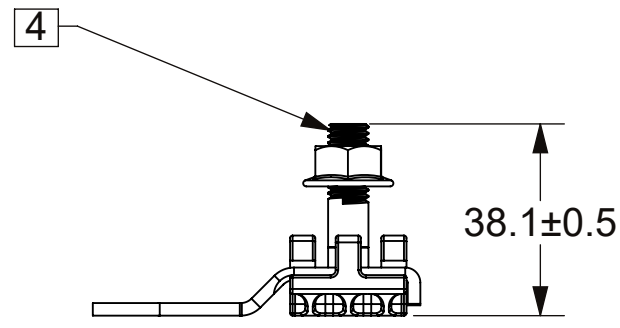
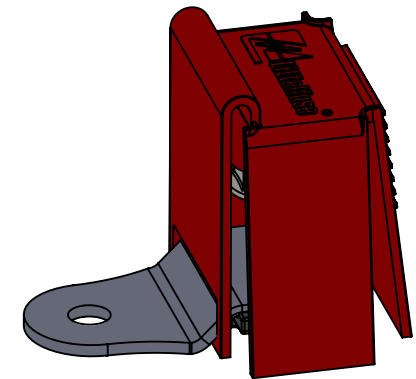
VIEW WITH FUSE COVER



VIEW WITH FUSE&STUD COVER



VIEW WITH FUSE COVER



CONFIGURATION CHART

| P/N | Z-CASE FUSE | MOUNTING HOLE SIZE | NUT | FUSE&STUD COVER | FUSE COVER | REMARK |
|-----------|-------------|--------------------|-----|-----------------|------------|--|
| 0FHZ0201Z | NO | Ø 8.5 | YES | YES | - | W/O FUSE, WITH FUSE&STUD COVER, M8 MOUNTING |
| 0FHZ0202Z | NO | Ø 8.5 | YES | - | YES | W/O FUSE, WITH FUSE COVER, M8 MOUNTING |
| 0FHZ0211Z | NO | Ø 10.5 | YES | YES | - | W/O FUSE, WITH FUSE&STUD COVER, M10 MOUNTING |
| 0FHZ0212Z | NO | Ø 10.5 | YES | - | YES | W/O FUSE, WITH FUSE COVER, M10 MOUNTING |
| 0FHZ0231Z | NO | Ø 6.5 | YES | YES | - | W/O FUSE, WITH FUSE&STUD COVER, M6 MOUNTING |
| 0FHZ0232Z | NO | Ø 6.5 | YES | - | YES | W/O FUSE, WITH FUSE COVER, M6 MOUNTING |
| 0FHZ0233Z | NO | Ø 6.5 | YES | - | - | W/O FUSE, W/O COVER, M6 MOUNTING |

NOTES:

- DRAWING SHOWN WITH FUSES INSTALLED FOR REFERENCE ONLY, SEE CONFIGURATION CHART
- MATERIAL:
BASE: PPA-GF33
STUD: STEEL, BLANKENING
BUSBAR: COPPER, TIN PLATED
- OPERATING TEMPERATURE RANGE: -40°C ~ +105°C
- WITH M8x1.25 SERRATED FLANGE NUT TO FIX Z-CASE FUSE AND WIRE TERMINAL
- REQUIRE M8 SERRATED FLANGE NUT FOR MOUNTING
- RECOMMENDED TORQUE VALUES FOR M8 NUT: 14±2 N-m
- MAX CONTINUOUS CURRENT INPUT: 400 AMPS
- FUSE MUST NOT EXCEED 70% OF RATED CURRENT

| | |
|---|--|
| INTERPRET DRAWING TO ANSI/ASME Y14.5-1994. | |
| ● | FIT/ FUNCTION CRITICAL CHARACTERISTICS SYMBOL |
| <S> | SAFETY/ COMPLIANCE CRITICAL CHARACTERISTICS SYMBOL |
| CPK | DENOTES CPK DIMENSIONS MINIMUM CPK VALUE |
| ST | DENOTES A CHARACTERISTIC THAT PROVIDES AN INDICATION OF PROCESS PERFORMANCE PROCEDURE FOR MEASUREMENT AND TRACKING TO BE DEFINED IN LITTELFUSE INSPECTION INSTRUCTIONS |
| CP | DENOTES CP DIMENSIONS, -MINIMUM CP VALUE MUST BE WITHIN THE DIMENSIONAL LIMITATIONS SHOWN ON DRAWING AND INITIALLY LOCATED TO ALLOW FOR MAXIMUM TOOL LIFE |
| DIMENSION: MM TOLERANCES UNLESS OTHERWISE SPECIFIED ONE PLACE DECIMAL ± 0.5 THREE PLACES DECIMAL ± 0.100 TWO PLACES DECIMAL ± 0.20 ANGULAR ± 2° | |
| NAME | DATE |
| DRAWN J. LI | 07/12/2017 |
| CHECKED - | - |
| - | - |
| - | - |
| FORM NO: CVP-PE40-0004 REV A | |
| THIRD ANGLE PROJECTION | |
| | |
| DO NOT SCALE DRAWING | |
| Expertise Applied Answers Delivered | |
| TITLE SINGLE Z-CASE FUSE HOLDER | |
| SIZE B | DWG. NO. OL-0FHZ0200Z, CHART |
| SCALE 2:3 | OUTLINE REV. C |
| SHEET 1 OF 1 | |