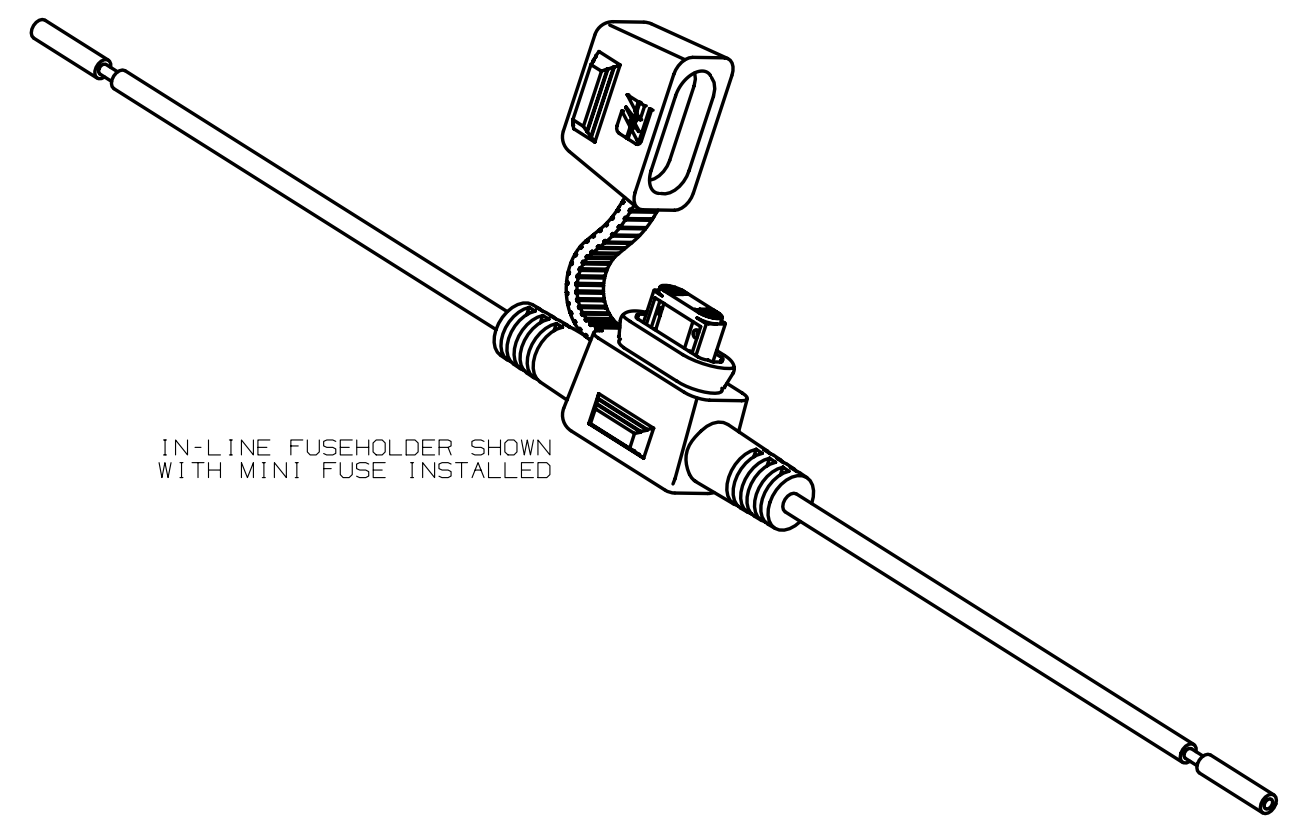
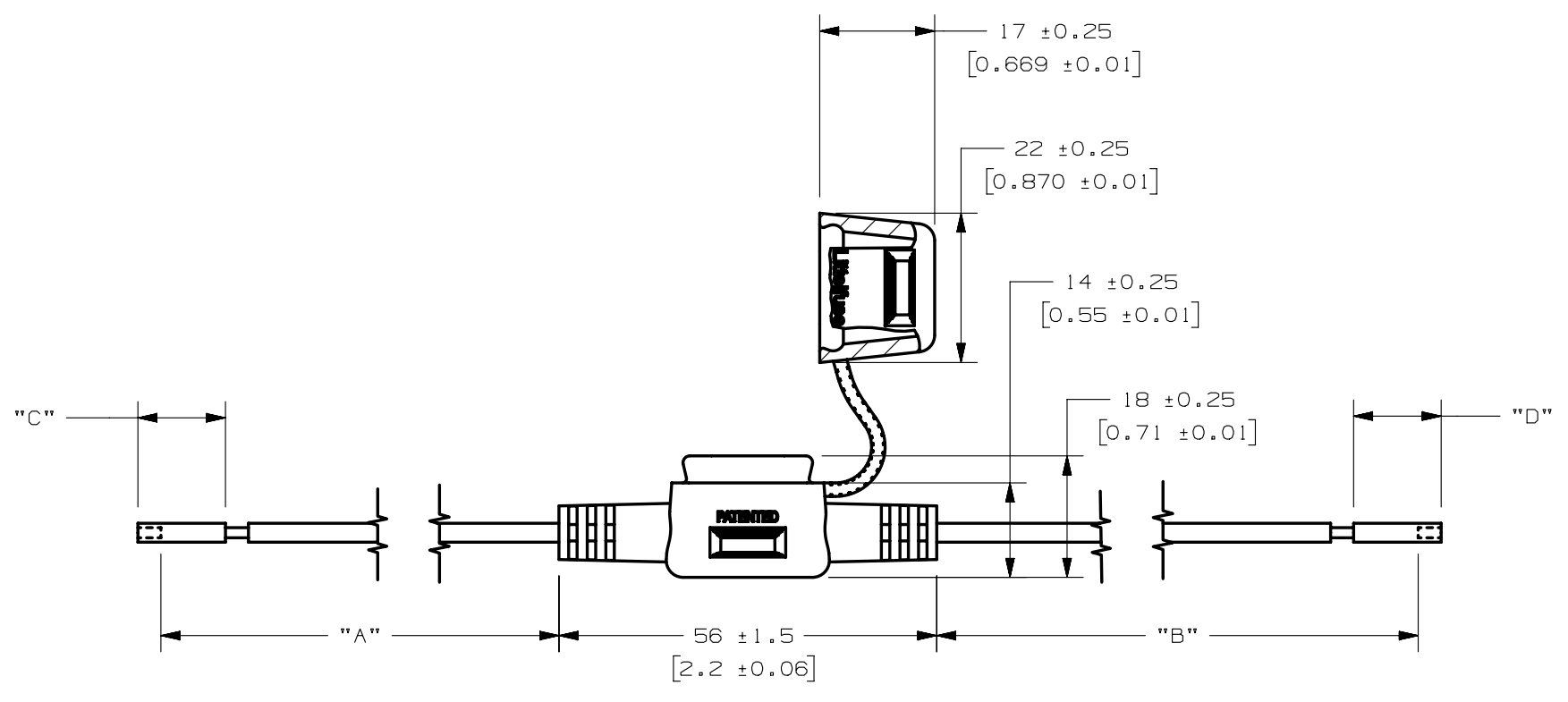
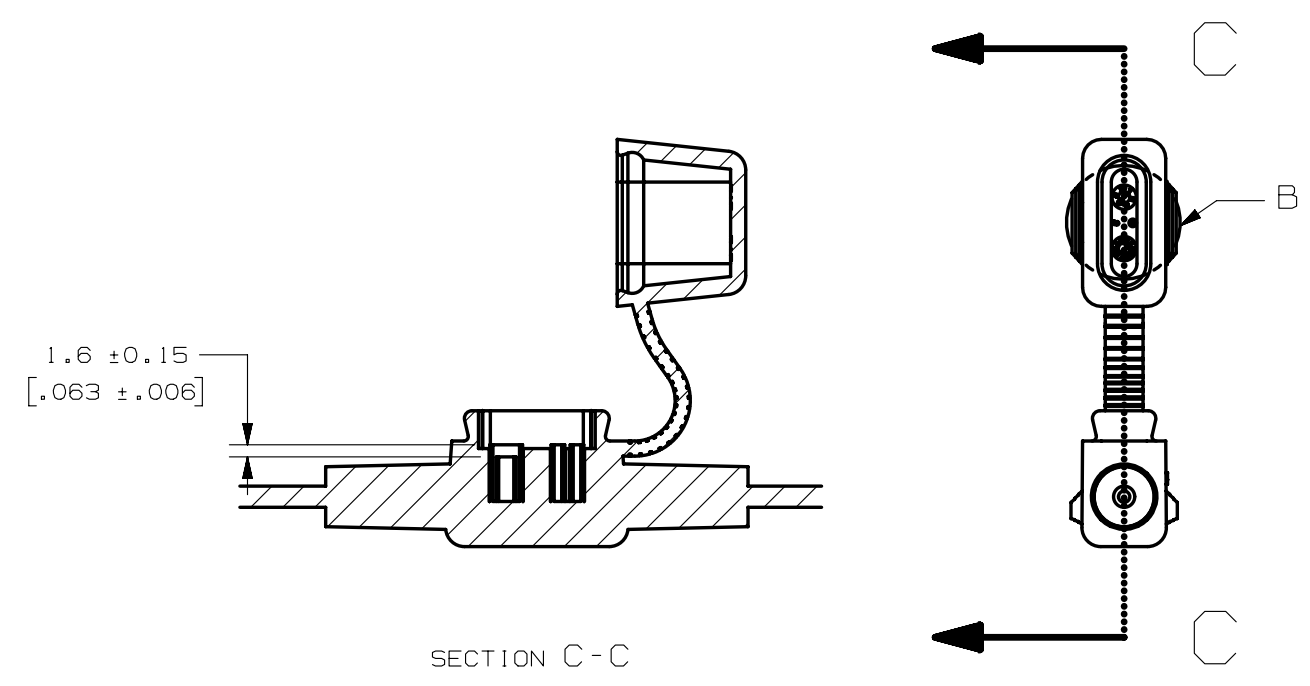
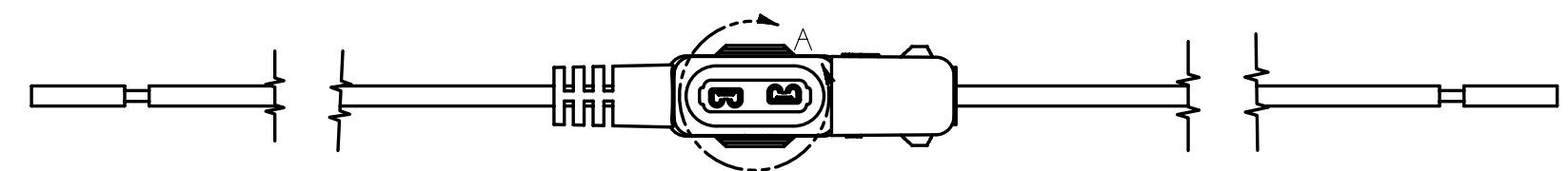
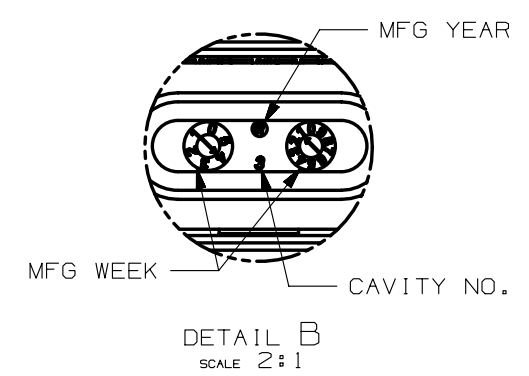
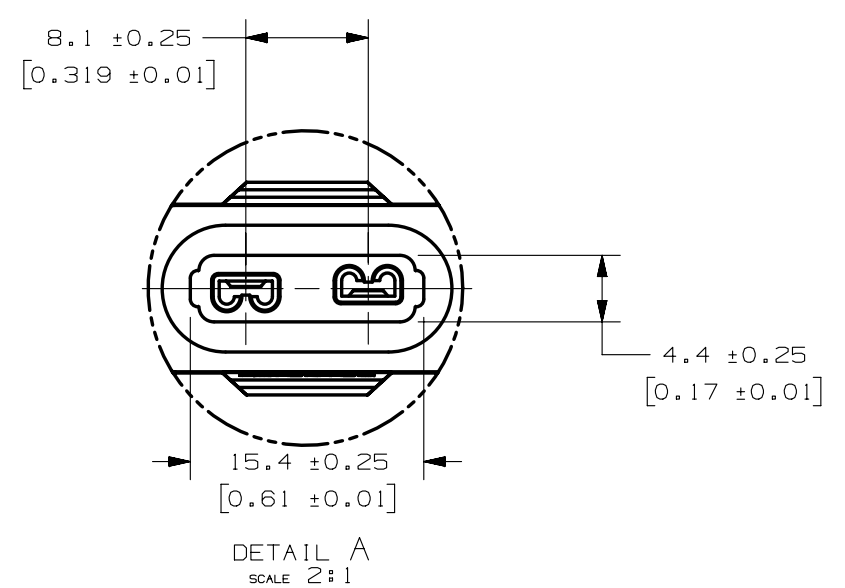


PART NUMBER	"A"	"B"	"C"	"D"	LEAD "A" COLOR	LEAD "B" COLOR	LEAD "A" SIZE	LEAD "B" SIZE	LEAD "A" STRIP	LEAD "B" STRIP	INSULATION TYPE
0FHM0003ZXJS	94±3 [3.70±0.12]	94±3 [3.70±0.12]	5.5±0.3 [0.22±0.01]	5.5±0.3 [0.22±0.01]	BLACK	BLACK	18 AWG	18 AWG	PARTIAL	PARTIAL	TXL

LTR	DATE	REVISION	CHK	APD
A	10/AUG/15	514743GCA - NEW RELEASE	FYUE	



- NOTES:
- HOLDER MATERIAL: BLACK TPV
  - CONTACTS: C194 COPPER ALLOY: TIN-PLATED
  - WIRE: STRANDED COPPER, 125°C RATED, 18AWG TXL WIRE
  - CRIMP: MUST MEET SAE/USCAR 21 STANDARD
  - FUSE RATING: MAX 10A, 32Vdc
  - FUSEHOLDERS SHOULD NOT BE PLACED UNDER TENSION IN FINAL APPLICATION
  - MAX TEMPERATURE 125°C

UNLESS OTHERWISE SPECIFIED, DIMENSIONS ARE IN MILLIMETERS. DIMENSIONS IN BRACKETS [ ] ARE INCHES.

UNLESS OTHERWISE SPECIFIED, DIMENSIONS DO NOT INCLUDE PLATING.

⊙	DENOTES CRITICAL CHARACTERISTICS.
CPK	DENOTES CPK DIMENSIONS, -MINIMUM CPK VALUE
ST	DENOTES A CHARACTERISTIC THAT PROVIDES AN INDICATION OF PROCESS PERFORMANCE. PROCEDURE FOR MEASUREMENT AND TRACKING TO BE DEFINED IN LITTELFUSE INSPECTION INSTRUCTIONS
CP	DENOTES CP DIMENSIONS, -MINIMUM CP VALUE MUST BE WITHIN THE DIMENSIONAL LIMITATIONS SHOWN ON DRAWING AND INITIALLY LOCATED TO ALLOW FOR MAXIMUM TOOL LIFE

COPIES TO	MATL SPEC	SEE NOTES
1 9 18		
2 10 19		
3 12 20		
4 13 21	DRW	FYUE DATE 10/AUG/15 SCALE 1:1
5 14 23	CHK	DATE SUPER DR
6 15 33		
7 16 43	APPD	DATE FINISH GOOD WT
8 17 53		GRAMS/PIECE

TOLERANCE UNLESS OTHERWISE SPECIFIED  
ONE PLACE DEC +/- .3 THREE PLACE DEC +/- .100  
TWO PLACE DEC +/- .15 ANGULAR +/- 1°

3RD ANGLE PROJECTION	TITLE	REVISION	DRWG. NO.	OUTLINE
	INLINE MINI HOLDER-18AWG BLACK	A	OL-0FHM0003ZXJS	

METRIC

Littelfuse  
DES PLAINES, ILLINOIS 60016

CAD GENERATED DRAWING - NO PENCIL CHANGES ALLOWED