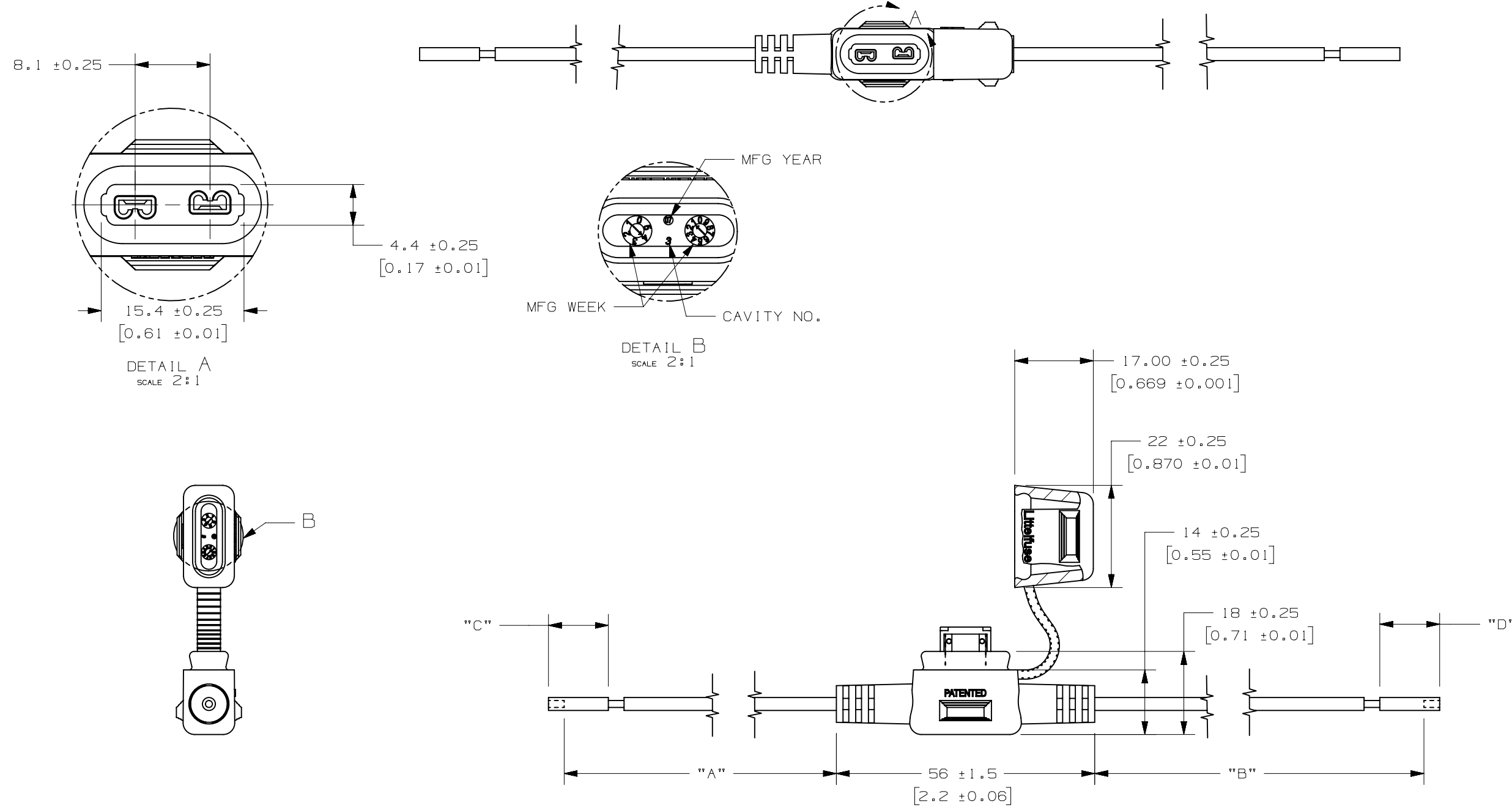


PART NUMBER	"A"	"B"	"C"	"D"	LEAD "A" COLOR	LEAD "B" COLOR	LEAD "A" SIZE	LEAD "B" SIZE	LEAD "A" STRIP	LEAD "B" STRIP	INSULATION TYPE
OFHMO003ZXJP-F5	94±3 [3.70±0.12]	94±3 [3.70±0.12]	5.5±0.3 [0.22±0.01]	5.5±0.3 [0.22±0.01]	BLACK	BLACK	18 AWG	18 AWG	PARTIAL	PARTIAL	TXL

LTR	DATE	REVISION	CHK	APD
A	4/10/15	511762GCA - NEW RELEASE	FYUE	



IN-LINE FUSEHOLDER SHOWN WITH 5A MINI FUSE INSTALLED

- NOTES:
- HOLDER MATERIAL: BLACK TPV
 - CONTACTS: C194 COPPER ALLOY; TIN-PLATED
 - WIRE: STRANDED COPPER, 125°C RATED, 18AWG TXL WIRE
 - CRIMP: MUST MEET SAE/USCAR 21 STANDARD
 - FUSE RATING: 5A, 32Vdc
 - FUSEHOLDERS SHOULD NOT BE PLACED UNDER TENSION IN FINAL APPLICATION
 - MAX TEMPERATURE 125°C
 - THE HOLDER IS SHIPPED WITH COVER CLOSED

UNLESS OTHERWISE SPECIFIED, DIMENSIONS ARE IN MILLIMETERS. DIMENSIONS IN BRACKETS [] ARE INCHES.

UNLESS OTHERWISE SPECIFIED, DIMENSIONS DO NOT INCLUDE PLATING.

⊙	DENOTES CRITICAL CHARACTERISTICS.
CPK	DENOTES CPK DIMENSIONS, -MINIMUM CPK VALUE
ST	DENOTES A CHARACTERISTIC THAT PROVIDES AN INDICATION OF PROCESS PERFORMANCE. PROCEDURE FOR MEASUREMENT AND TRACKING TO BE DEFINED IN LITTELFUSE INSPECTION INSTRUCTIONS
CP	DENOTES CP DIMENSIONS, -MINIMUM CP VALUE MUST BE WITHIN THE DIMENSIONAL LIMITATIONS SHOWN ON DRAWING AND INITIALLY LOCATED TO ALLOW FOR MAXIMUM TOOL LIFE

COPIES TO	MATL SPEC	SEE NOTES
1 9 18	FINISH	SEE NOTES
2 10 19	DRW	FYUE DATE 04/10/15 SCALE 1:1
3 12 20	CHK	DATE SUPER DR
4 13 21	APPD	DATE FINSH GOOD WT
5 14 23		GRAMS/PIECE
6 15 33		
7 16 43		
8 17 53		

TOLERANCE UNLESS OTHERWISE SPECIFIED
ONE PLACE DEC +/- .3 THREE PLACE DEC +/- .100
TWO PLACE DEC +/- .15 ANGULAR +/- 1°

3RD ANGLE PROJECTION TITLE MINI IN-LINE FUSEHOLDER WITH 5A FUSE

METRIC

Littelfuse DES PLAINES, ILLINOIS 60016

REVISION A DRWG. NO. OL-OFHMO003ZXJP-F5 OUTLINE

CAD GENERATED DRAWING - NO PENCIL CHANGES ALLOWED