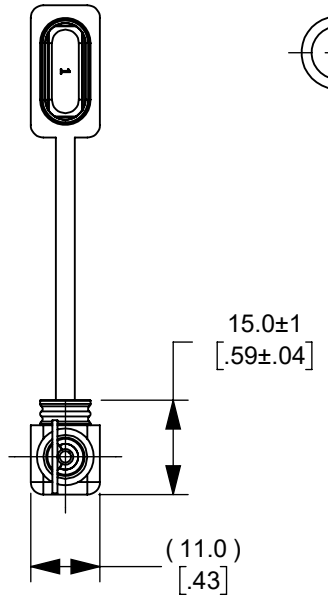
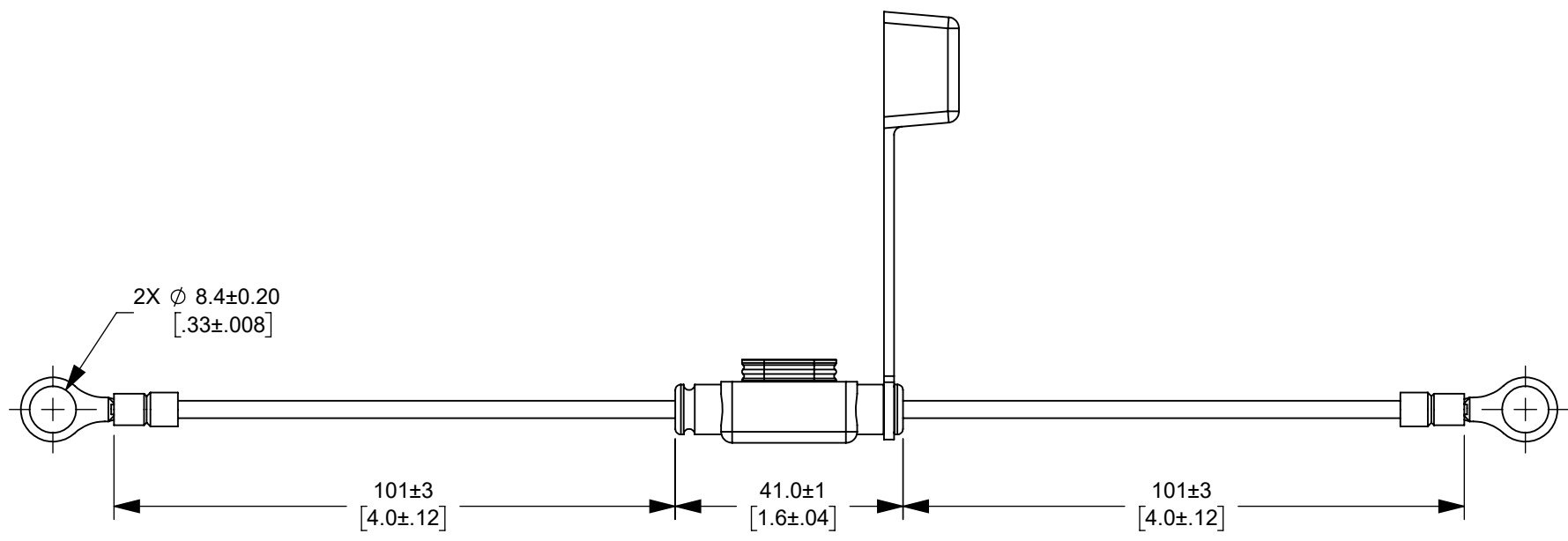
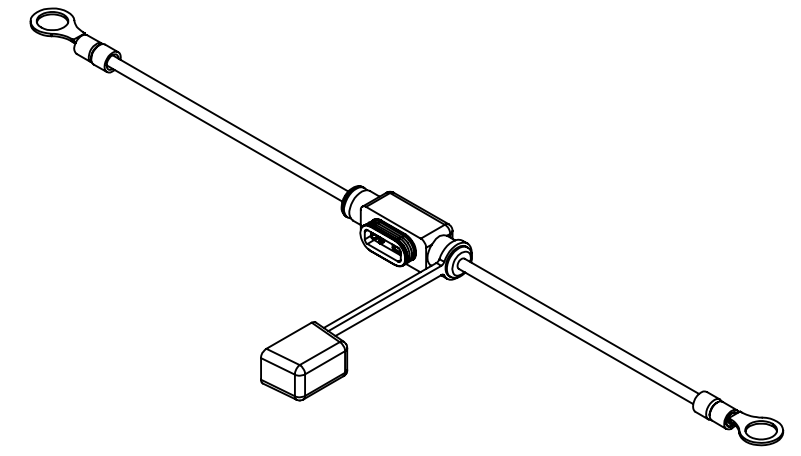
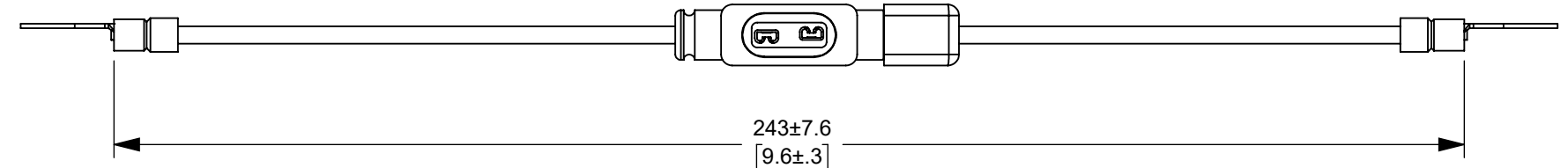


THIS DRAWING AND THE INFORMATION CONTAINED WITHIN IT ARE CONFIDENTIAL AND MAY NOT BE COPIED OR DISCLOSED WITHOUT THE WRITTEN PERMISSION OF LITTELFUSE.

REVISIONS				
ZONE	REV.	DESCRIPTION	DATE	APPROVED
	A	PCO #5300044. INITIAL RELEASED. DSILVA	4/21/2022	L.ARGIL



NOTES: (UNLESS OTHERWISE SPECIFIED)

- NOTES:
 - #14 GXL WIRE LEADS NOM. O.D. .122 COLOR: RED.
 - HOLDER AND COVER MATERIAL: BLACK PVC.
 - CONTACTS: COPPER ALLOY.
 - MAX. RATING: 20 AMPS, 58Vdc.

TOLERANCES UNLESS OTHERWISE SPECIFIED (REF. ISO 2768-FH)											
.5 to 3	>3 to 6	>6 to 30	>30 to 120	>120 to 400							ANGLE
±0.10	±0.10	±0.20	±0.30	±0.50							NONE

DIMENSIONS ARE SHOWN IN MILLIMETERS. DIMENSIONS AND TOLERANCES ARE DEFINED ACCORDING TO ANSI/ASME Y14.5-1994.

PER CHI-NPD20-0008 PROCEDURE	SYMBOL	DESCRIPTION
	●	FIT/ FUNCTION CRITICAL CHARACTERISTICS
	<S>	SAFETY/ COMPLIANCE CRITICAL CHARACTERISTICS SYMBOL
	CPK	DENOTES CPK DIMENSIONS MINIMUM CPK VALUE
	ST	DENOTES A CHARACTERISTIC THAT PROVIDES AN INDICATION OF PROCESS PERFORMANCE PROCEDURE FOR MEASUREMENT AND TRACKING TO BE DEFINED IN LITTELFUSE INSPECTION INSTRUCTIONS
	CP	DENOTES CP DIMENSIONS. -MINIMUM CP VALUE MUST BE WITHIN THE DIMENSIONAL LIMITATIONS SHOWN ON DRAWING AND INITIALLY LOCATED TO ALLOW FOR MAXIMUM TOOL LIFE

NAME	DATE	<p>Littelfuse Expertise Applied Answers Delivered</p>	TITLE	
DRAWN DSILVA	4/13/2022			MINI IN-LINE HOLDER W/ TERMINAL
CHECKED -	-			
FORM NO: CVP-PE40-0003 REV B				
THIRD ANGLE PROJECTION				
SIZE B	DWG. NO.	OL-0FHM0001ZXJ-T	REV. A	
DO NOT SCALE DRAWING	SCALE 1:1	SHEET 1 OF 1		

mm
[in]