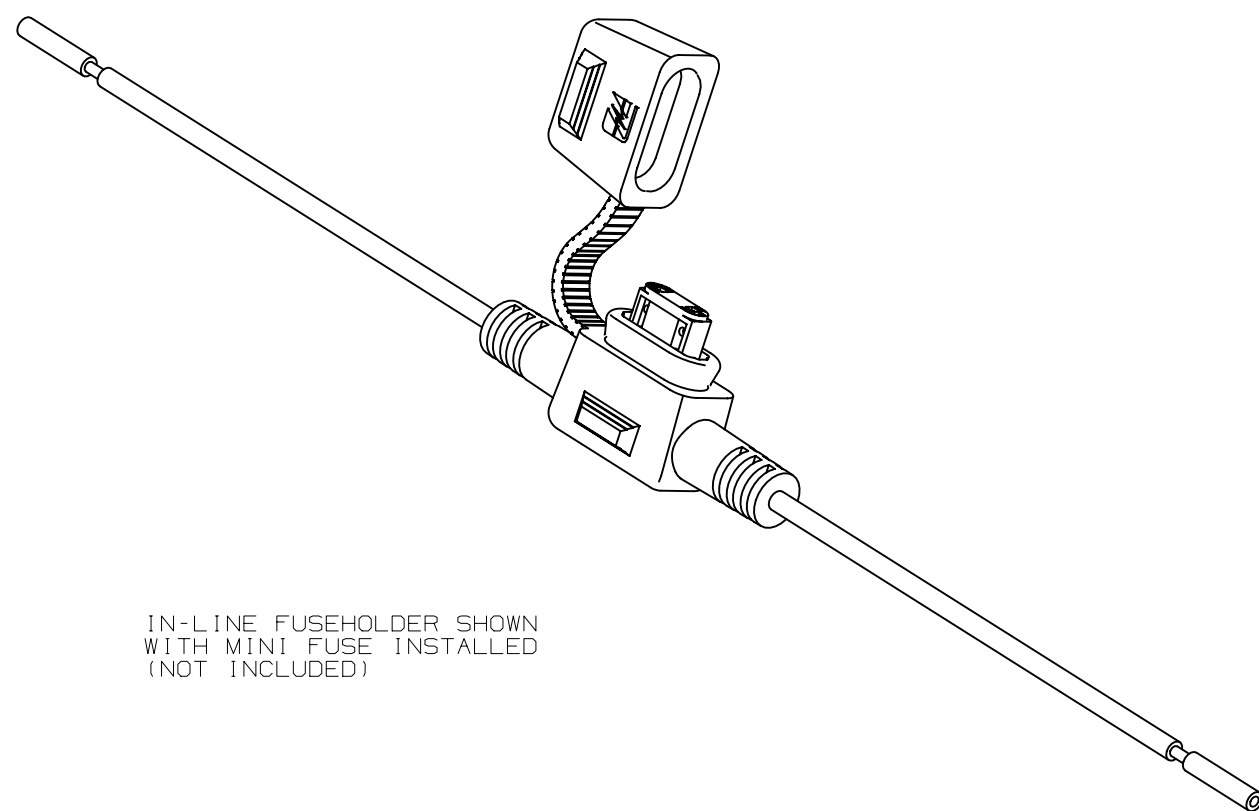
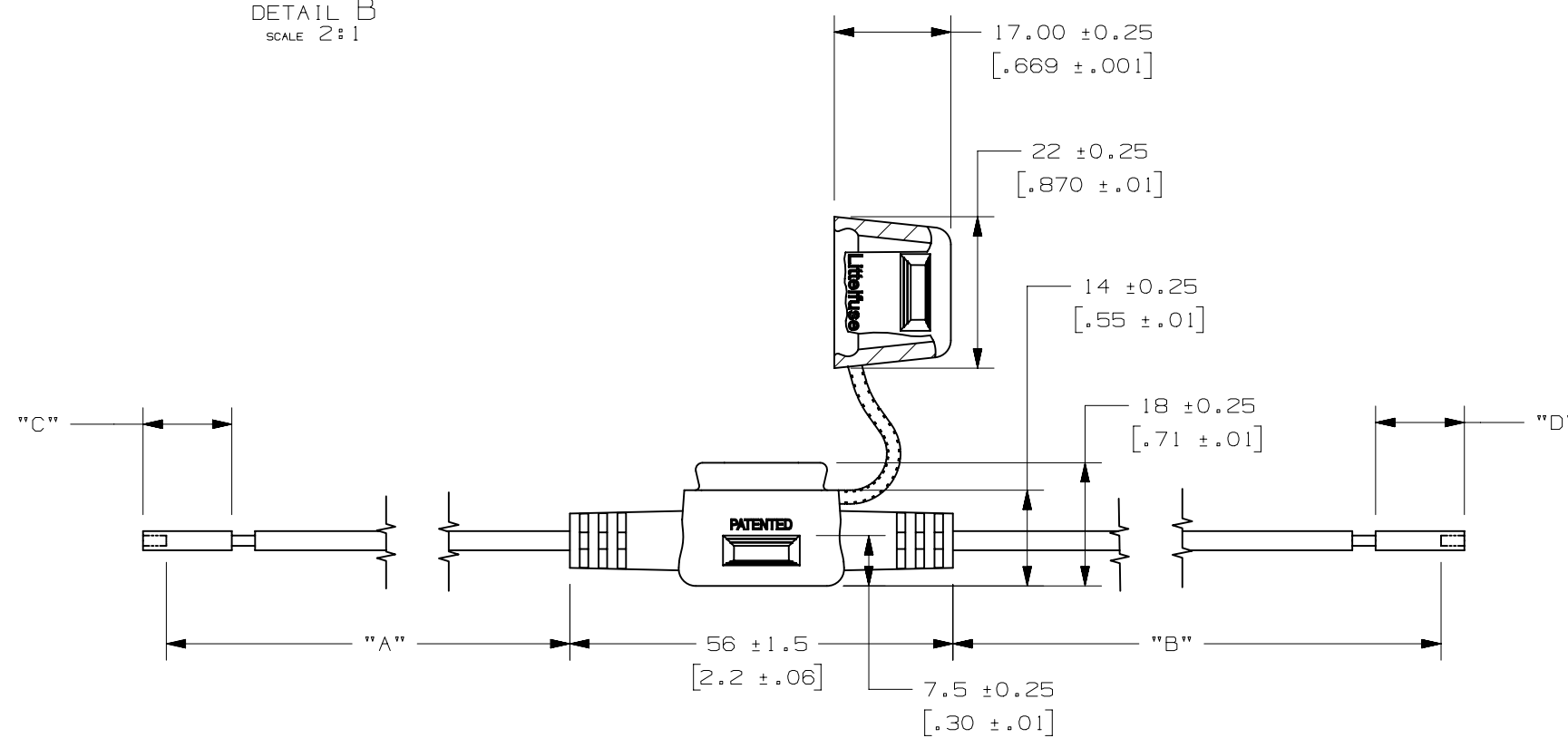
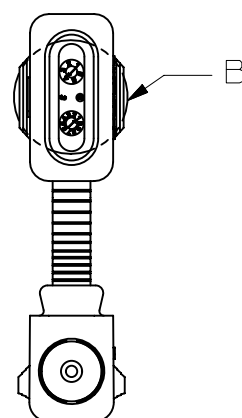
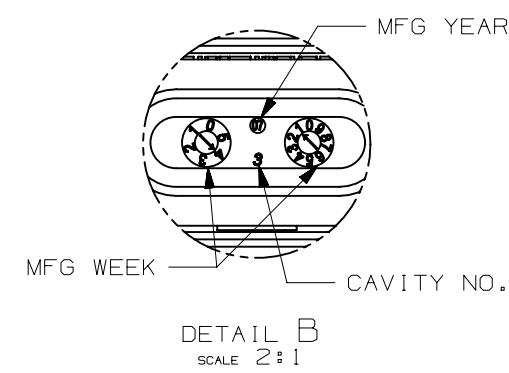
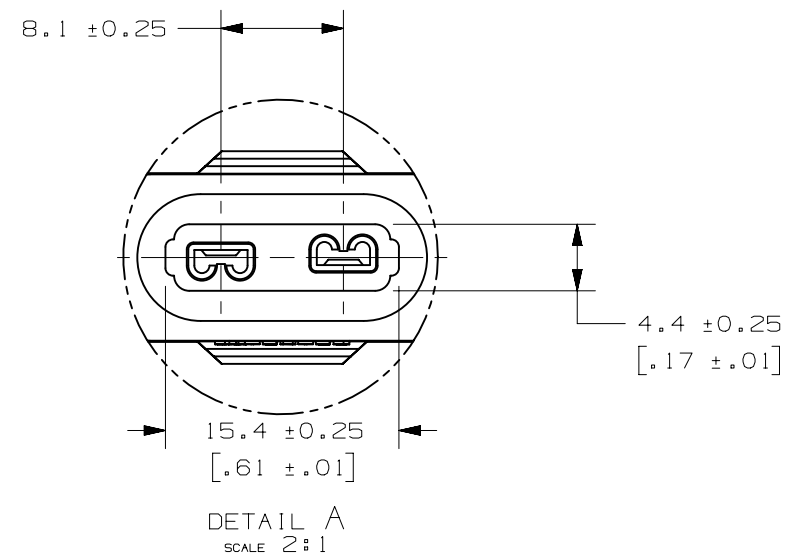
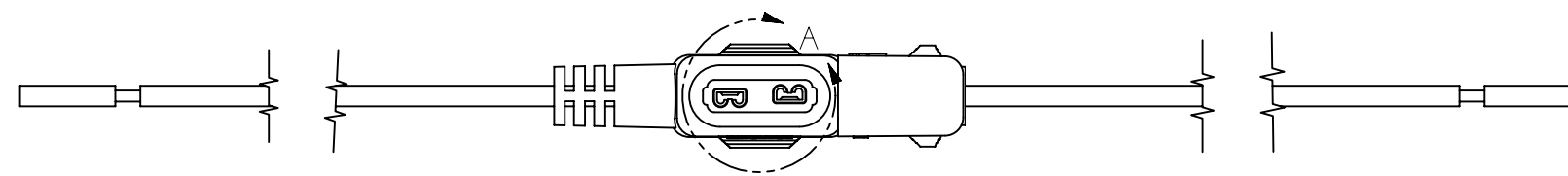


| PART NUMBER    | "A"                  | "B"                     | "C"                | "D"                | LEAD "A" COLOR | LEAD "B" COLOR |
|----------------|----------------------|-------------------------|--------------------|--------------------|----------------|----------------|
| OFHM0001ZXJ    | 94±5<br>[3.70±0.2]   | 94±5<br>[3.70±0.2]      | 13±2<br>[.51±0.08] | 13±2<br>[.51±0.08] | BLACK          | BLACK          |
| OFHM0001ZXJ-RW | 94±5<br>[3.70±0.2]   | 94±5<br>[3.70±0.2]      | 13±2<br>[.51±0.08] | 13±2<br>[.51±0.08] | RED            | RED            |
| OFHM0001ZXJA   | 95±5<br>[3.74±0.2]   | 3850±30<br>[151.57±1.2] | NO END STRIP       | NO END STRIP       | RED            | RED            |
| OFHM0001ZXJB   | 460±5<br>[18.11±0.2] | 120±5<br>[4.72±0.2]     | 13±2<br>[.51±0.08] | 13±2<br>[.51±0.08] | BLACK          | BLACK          |

| LTR | DATE     | REVISION   | CHK  | APD |
|-----|----------|--|------|-----|
| A   | 03/29/07 | 63207 - RELEASE  | BRK  |     |
| B   | 06/06/07 | 85498D - CHG TOL FROM ±1 TO ±1.5, CHG NOTE 6                                       | BRK  |     |
| C   | 07/24/07 | 85549D - CHG TO CHARTED DRAWING, HOUSING HEIGHT TO 18.0 AND STRIP TOLERANCE TO ±2. | BRK  |     |
| D   | 08/04/09 | 000738ER - ADDED OFHM0001ZXJ-RW CHG. BLACK WIRE TO "SEE CHART" IN NOTE 3           | GMB  |     |
| E   | 08/09/12 | 505766ECA - ADDED DIMENSION 7.5 ±0.25  | FYUE |     |
| F   | 01/14/14 | 509993ERA - RELEASE OFHM0001ZXJB   | FYUE |     |
| G   | 04/30/15 | 511837ECA - REMOVE MODEL NAME OF HOLDER MATERIAL                                   | FYUE |     |



IN-LINE FUSEHOLDER SHOWN WITH MINI FUSE INSTALLED (NOT INCLUDED)

- NOTES:
- HOLDER MATERIAL: BLACK TPV
  - CONTACTS: COPPER ALLOY: TIN-PLATED
  - WIRE: SEE CHART, 14 AWG STRANDED COPPER, 125°C RATED, GXL WIRE
  - CRIMP: MUST MEET SAE/USCAR 21 STANDARD
  - RATING: MAX. 20A, 32Vdc
  - FUSEHOLDERS SHOULD NOT BE PLACED UNDER TENSION IN FINAL APPLICATION
  - MAX TEMPERATURE 125°C

|   |   |                         |         |
|---|---|-------------------------|---------|
| UNLESS OTHERWISE SPECIFIED, DIMENSIONS ARE IN MILLIMETERS. DIMENSIONS IN BRACKETS [ ] ARE INCHES. |   |                         |         |
| UNLESS OTHERWISE SPECIFIED, DIMENSIONS DO NOT INCLUDE PLATING.                                    |   |                         |         |
| ⊙   | DENOTES CRITICAL CHARACTERISTICS.   |                         |         |
| CPK   | DENOTES CPK DIMENSIONS, -MINIMUM CPK VALUE  |                         |         |
| ST  | DENOTES A CHARACTERISTIC THAT PROVIDES AN INDICATION OF PROCESS PERFORMANCE. PROCEDURE FOR MEASUREMENT AND TRACKING TO BE DEFINED IN LITTELFUSE INSPECTION INSTRUCTIONS |                         |         |
| CP  | DENOTES CP DIMENSIONS, -MINIMUM CP VALUE MUST BE WITHIN THE DIMENSIONAL LIMITATIONS SHOWN ON DRAWING AND INITIALLY LOCATED TO ALLOW FOR MAXIMUM TOOL LIFE               |                         |         |
| COPIES TO   | MATL SPEC SEE NOTES   |                         |         |
| 1 9 18  | FINISH SEE NOTES  |                         |         |
| 2 10 19   | DRW BRK DATE 03/29/07 SCALE 1:1   |                         |         |
| 3 12 20   | CHK DATE SUPER DR   |                         |         |
| 4 13 21   | APPD DATE FINSH GOOD WT   |                         |         |
| 5 14 23   | GRAMS/PIECE   |                         |         |
| 6 15 33   | TOLERANCE UNLESS OTHERWISE SPECIFIED  |                         |         |
| 7 16 43   | ONE PLACE DEC +/- .3 THREE PLACE DEC +/- .100   |                         |         |
| 8 17 53   | TWO PLACE DEC +/- .15 ANGULAR +/- 1°  |                         |         |
| 3RD ANGLE PROJECTION  | TITLE   | MINI IN-LINE FUSEHOLDER |         |
| Littelfuse  | REVISION  | DRWG. NO.               | OUTLINE |
| DES PLAINES, ILLINOIS 60016   | G   | OFHM0001ZXJ             |         |

METRIC

CAD GENERATED DRAWING - NO PENCIL CHANGES ALLOWED