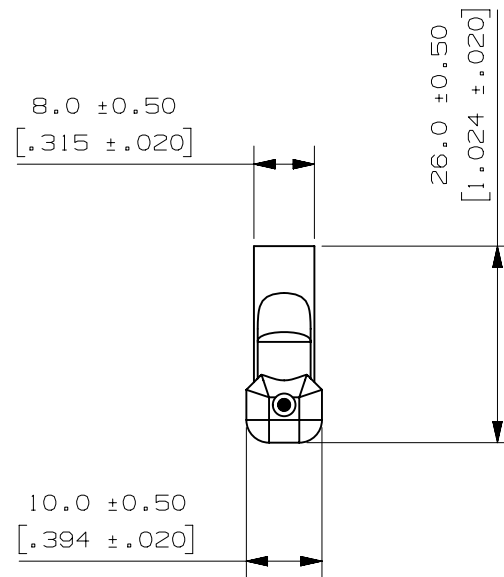
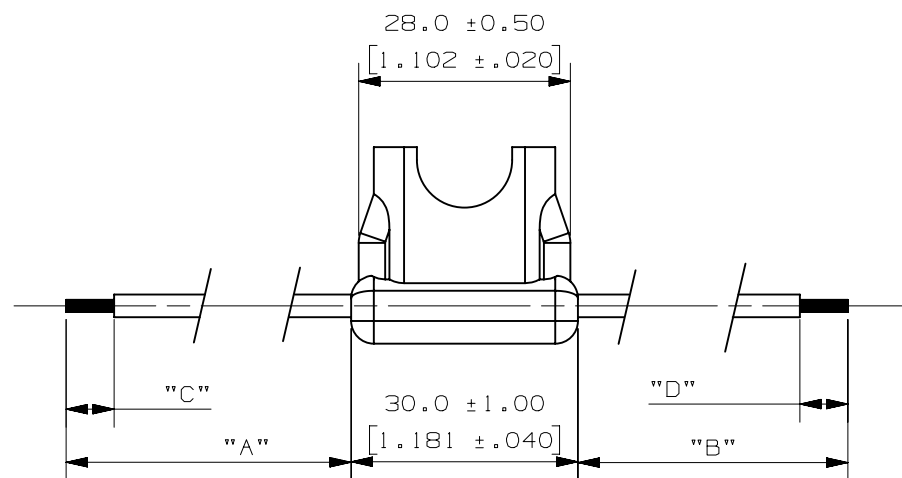
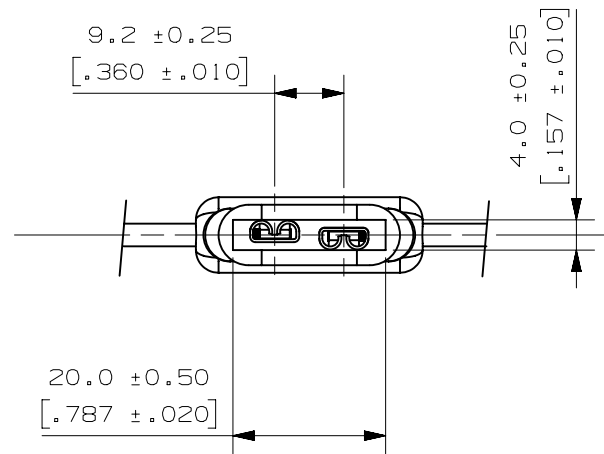


PART NUMBER	"A"	"B"	"C"	"D"	LEAD "A" COLOR	LEAD "B" COLOR	WIRE TYPE
OFHA0001ZXJ	101.6 +/- 5 (4.0)	101.6 +/- 5 (4.0)	6.35 +/- 2 (0.25)	6.35 +/- 2 (0.25)	BLACK	BLACK	16 AWG STRANDED COPPER 125C, GXL WIRE
OFHA0001ZXJA	177.8 +/- 5 (7.0)	177.8 +/- 5 (7.0)	6.35 +/- 2 (0.25)	6.35 +/- 2 (0.25)	RED	RED	16 AWG STRANDED COPPER 125C, GXL WIRE
OFHA0001ZXJB	101.6 +/- 5 (4.0)	101.6 +/- 5 (4.0)	13.0 +/- 2 (0.51)	13.0 +/- 2 (0.51)	BLACK	BLACK	16 AWG STRANDED COPPER 125C, GXL WIRE
OFHA0001ZXJD	101.6 +/- 5 (4.0)	101.6 +/- 5 (4.0)	NO STRIP	NO STRIP	BLACK	BLACK	16 AWG STRANDED COPPER 125C, GXL WIRE



METRIC
ASSEMBLY

- NOTES:
- HOLDER MATERIAL : BLACK TPV.
 - CONTACTS : COPPER ALLOY, TIN PLATED.
 - WIRE : 16AWG STRANDED COPPER, 125 °C RATED, GXL WIRE
 - CRIMP : MUST MEET SAE/USCAR 21 STANDARD.
 - RATING : MAX. 20A, 32VDC.
 - MAX. TEMP. : 105 °C.
 - FUSEHOLDERS SHOULD NOT BE PLACED UNDER TENSION IN FINAL APPLICATION

NO	COMPONENT NO	DESCRIPTION	QTY/M	U/M
BILL OF MATERIAL				
UNLESS OTHERWISE SPECIFIED, DIMENSIONS ARE IN MILLIMETERS. DIMENSIONS IN BRACKETS [] ARE INCHES				
UNLESS OTHERWISE SPECIFIED, DIMENSIONS DO NOT INCLUDE PLATING.				
⊙		DENOTES CRITICAL CHARACTERISTICS.		
CPK		DENOTES CPK DIMENSIONS, -MINIMUM CPK VALUE		
ST		DENOTES A CHARACTERISTIC THAT PROVIDES AN INDICATION OF PROCESS PERFORMANCE. PROCEDURE FOR MEASUREMENT AND TRACKING TO BE DEFINED IN LITTELFUSE INSPECTION INSTRUCTIONS		
CP		DENOTES CP DIMENSIONS, -MINIMUM CP VALUE MUST BE WITHIN THE DIMENSIONAL LIMITATIONS SHOWN ON DRAWING AND INITIALLY LOCATED TO ALLOW FOR MAXIMUM TOOL LIFE		

COPIES TO		MATERIAL SPEC		REFER TO NOTES	
1	9	MATL SPEC	REFER TO NOTES	REFER TO NOTES	REFER TO NOTES
2	10	FINISH	REFER TO NOTES	SCALE	1:1
3	12	DRW RLDJ	DATE 7/19/10	SUPER DR	
4	13	CHK	DATE	FINISH GOOD WT	
5	14	APPD	DATE	GRAMS/PIECE	
6	15				
7	16				
8	17				
18	18				
19	19				
20	20				
21	21				
22	22				
23	23				
33	33				
43	43				
53	53				
TOLERANCES UNLESS OTHERWISE SPECIFIED (REF. ISO 2768-FH)					
DIMENSION	UP TO 0.5	OVER 0.5 - 3	UP TO 6	OVER 6 - 30	UP TO 120
TOLERANCE	+0.05	+0.05	±0.1	±0.15	±0.2
3RD ANGLE PROJECTION		TITLE AUTO FUSE HOLDER IN-LINE			
LITTELFUSE		LIPA CITY, BATANGAS, PHILIPPINES			
REVISION		DRWG. NO. OL-OFHA0001ZXJ			
OUTLINE					

LTR	DATE	REVISION	CHK	APD
A	7/16/07	000105ER - RELEASED DHM		
B	3/21/12	504478BERA - SEE ERN FYUE		
C	3/11/15	511660ECA - UPDATE DIMENSION TOLERANCES FYUE		
D	6/18/15	514471GCA-NEW RELEASE OFHA0001ZXJD FYUE		