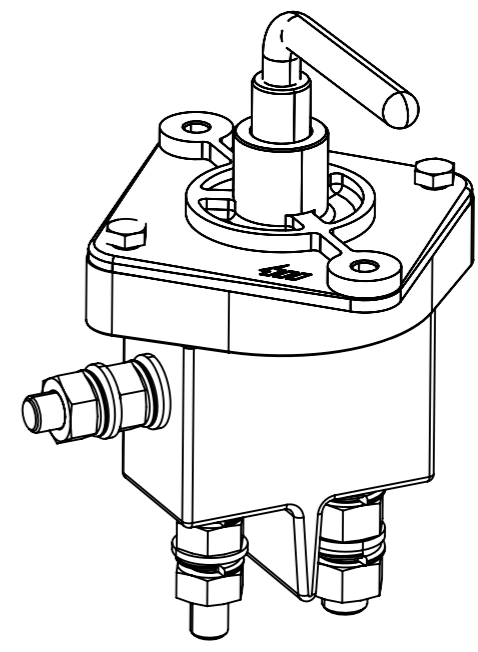
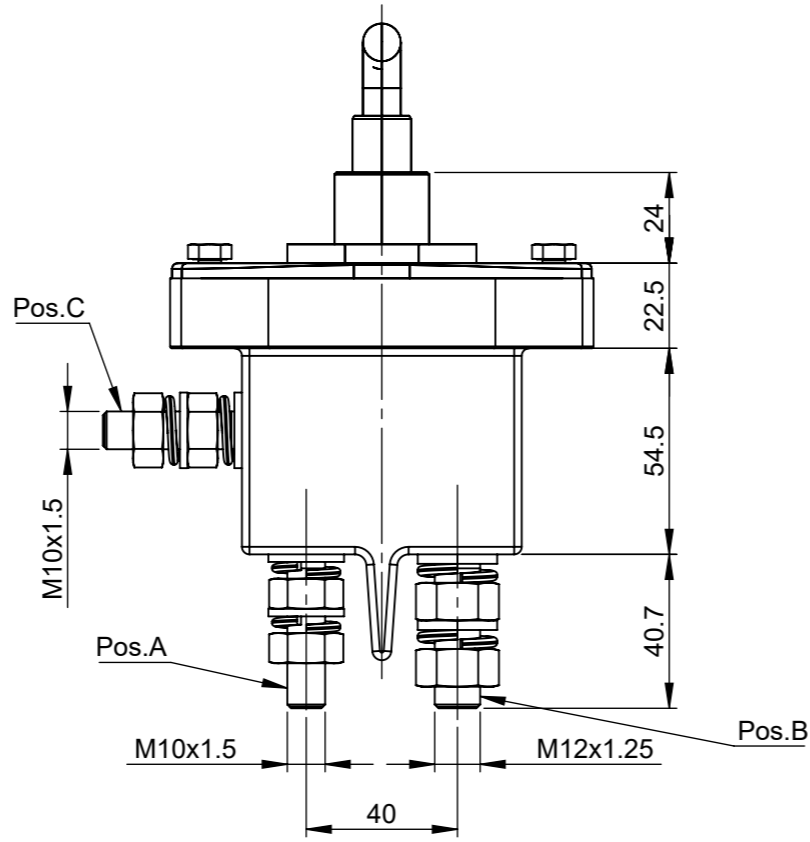
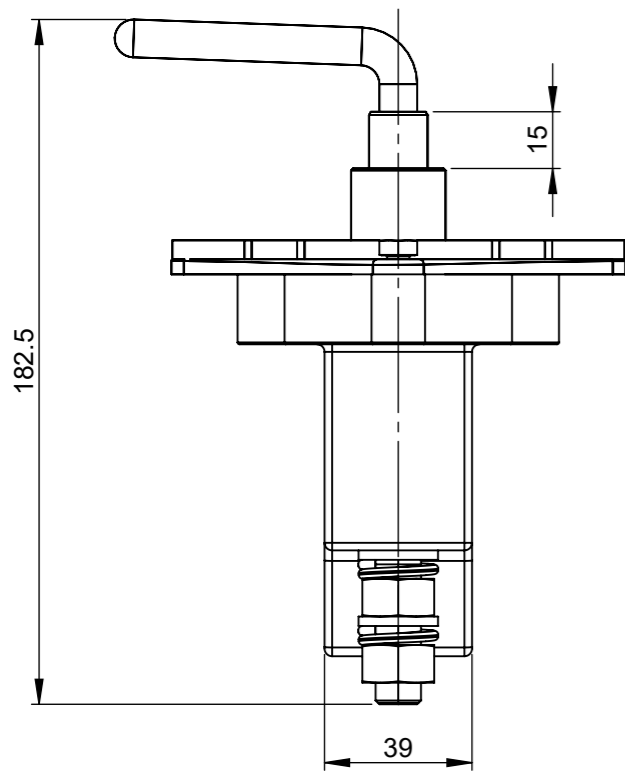


THIS DRAWING AND THE INFORMATION CONTAINED WITHIN IT ARE CONFIDENTIAL AND MAY NOT BE COPIED OR DISCLOSED WITHOUT THE WRITTEN PERMISSION OF LITTELFUSE.

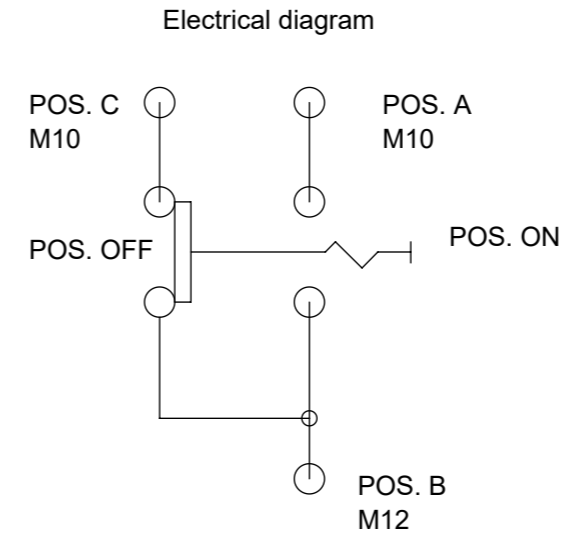
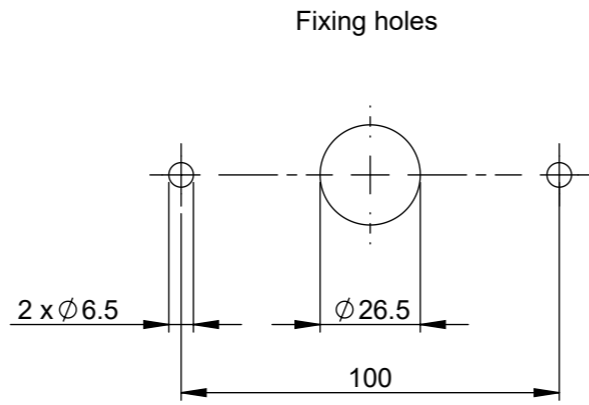
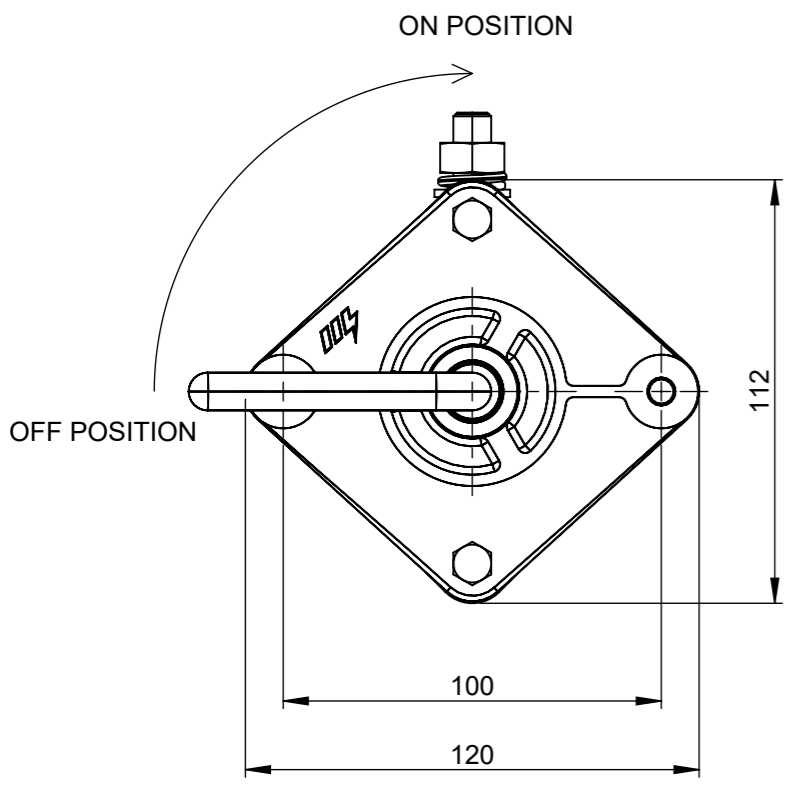
REVISIONS					
REV.	DESCRIPTION	DATE	GCF / ECR	DESIGNED	APPROVED
A	Initial release	21-Jun-22		L.Dal Molin	M.Tinto



SCALE 1:2

**CHARACTERISTICS AND PRESCRIPTIONS**

- Rated voltage: 12V-24V
- Voltage limit operation: 16V ± 32V
- Maximum continuous in the main contact 350A at 23°C
- Maximum current of short duration in the main contact: 2500A for 5 sec at 23°C
- Numbers of electrical and mechanical cycles: 5.000
- Fix the M6 screws: 8 ± 1 Nm
- Fix the M10/M12 nuts: 20 ± 2 Nm
- Accessories: 08095500



DIMENSIONS AND TOLERANCES IN MILLIMETERS, DEFINED ACCORDING TO ISO 1101-2017.

linear dimensions						
0,5	>3	>6	>30	>120	>400	>1000
3	6	30	120	400	1000	2000
±0,2	±0,3	±0,5	±0,8	±1,2	±2	±3

angle (for range of lengths)			
up to 10	>10	>50	>120
	50	120	400
±1°30'	±1°	±0°30'	±0°15'

●	FIT/ FUNCTION CRITICAL CHARACTERISTICS SYMBOL
<S>	SAFETY/ COMPLIANCE CRITICAL CHARACTERISTICS SYMBOL
CPK	DENOTES CPK DIMENSIONS MINIMUM CPK VALUE
ST	DENOTES A CHARACTERISTIC THAT PROVIDES AN INDICATION OF PROCESS PERFORMANCE. PROCEDURE FOR MEASUREMENT AND TRACKING TO BE DEFINED IN LITTELFUSE INSPECTION INSTRUCTIONS
CP	DENOTES CP DIMENSIONS, -MINIMUM CP VALUE MUST BE WITHIN THE DIMENSIONAL LIMITATIONS SHOWN ON DRAWING AND INITIALLY LOCATED TO ALLOW FOR MAXIMUM TOOL LIFE

NAME	DATE	<p><b>Littelfuse</b> Expertise Applied   Answers Delivered</p>
DRAWN	L. Dal Molin 15-Jun-22	
CHECKED	-	
FORM NO: CVP-PE40-0013 REV A		TITLE
FIRST ANGLE PROJECTION		MANUAL CHANGEOVER SWITCH
SIZE	A3	DWG. NO. OL-08099400
DO NOT SCALE DRAWING	SCALE 1:2	OUTLINE REV. A
		SHEET 1 OF 1