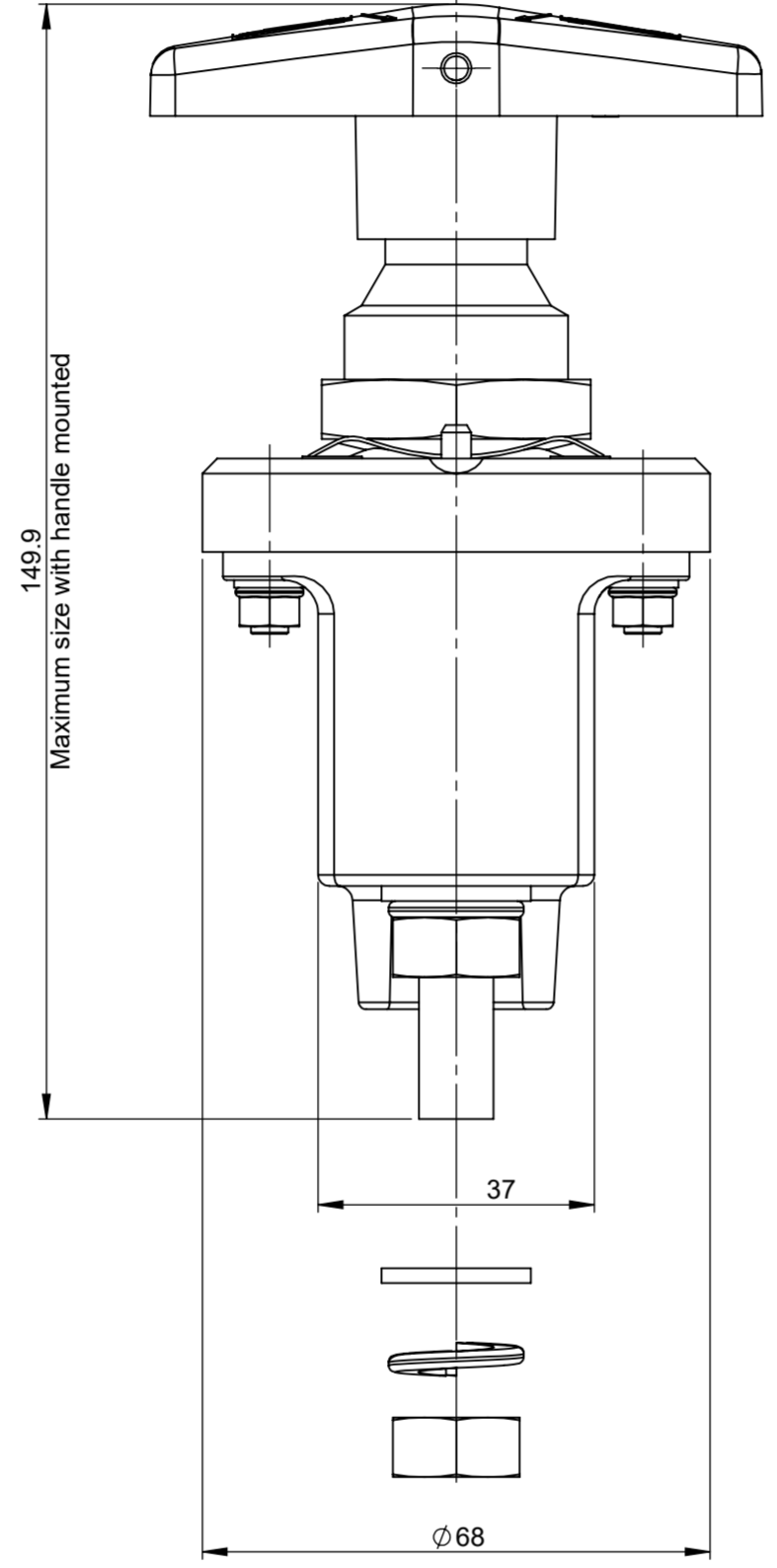
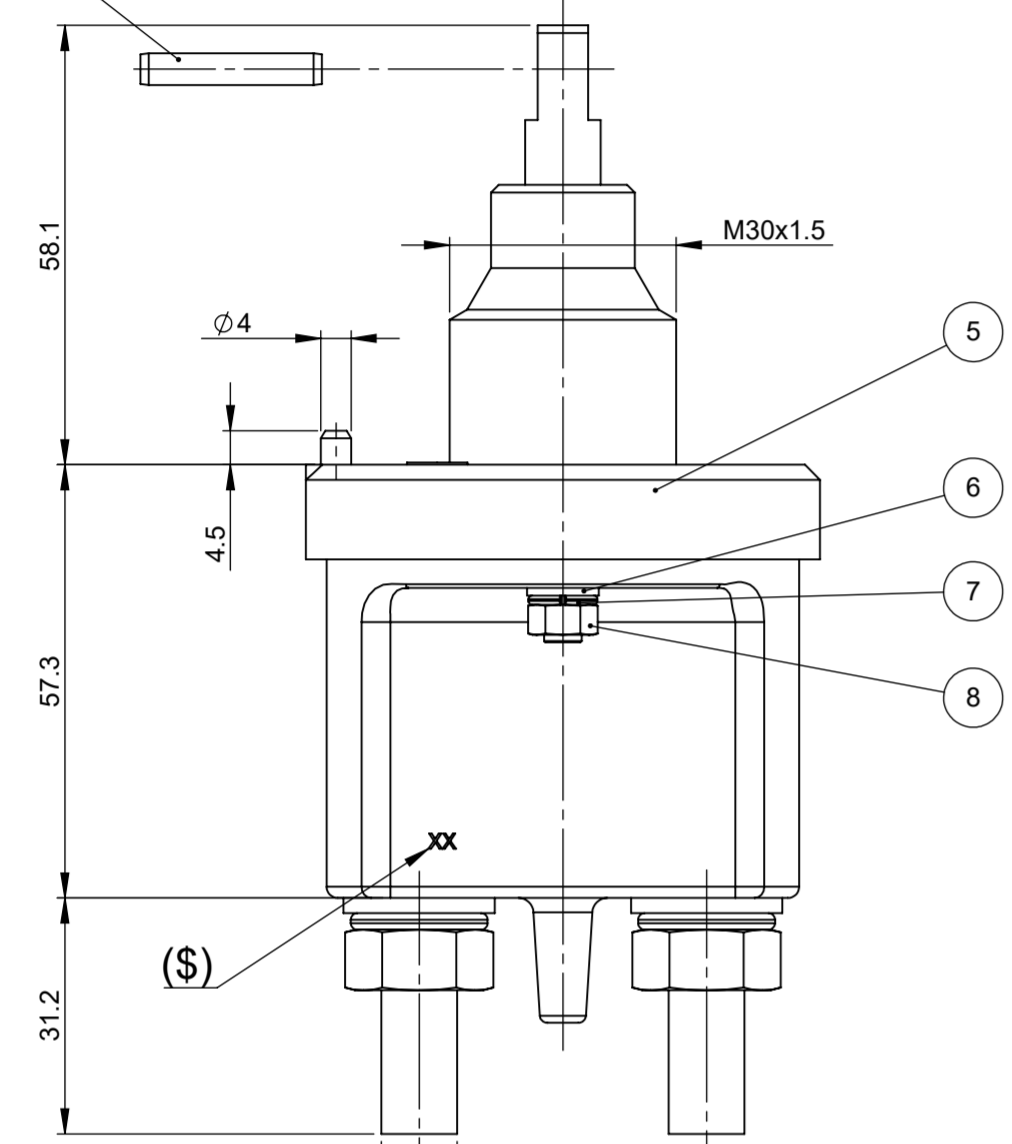
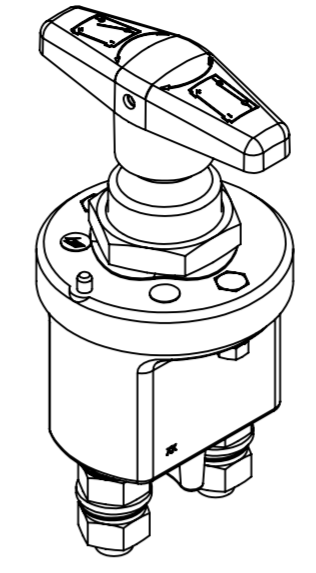
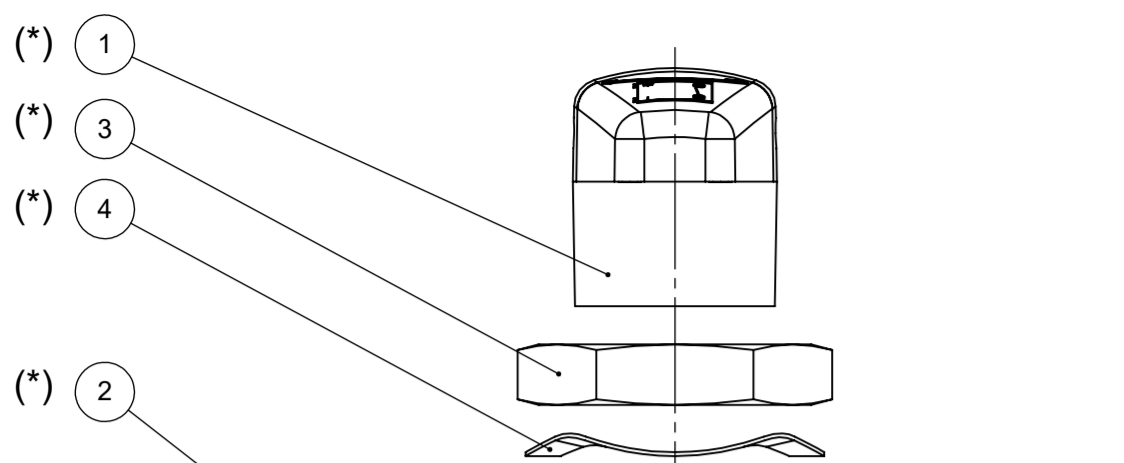
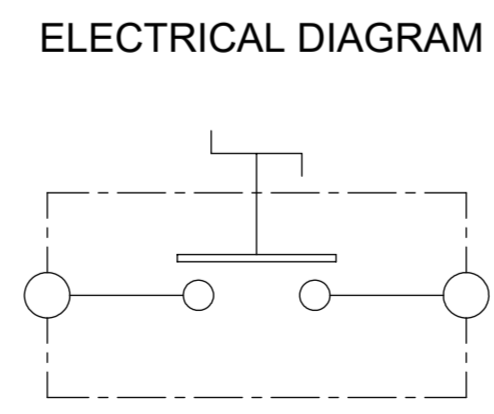
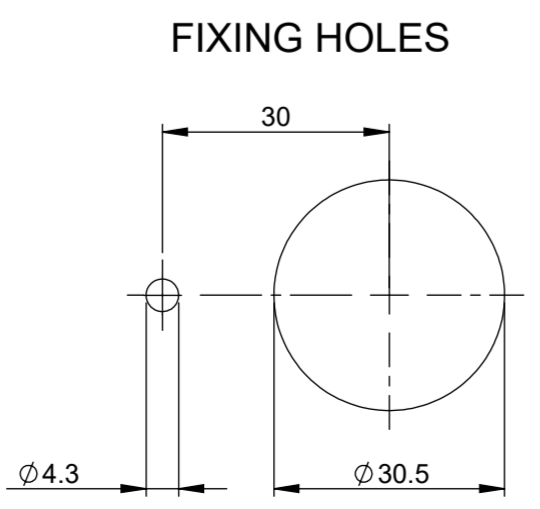
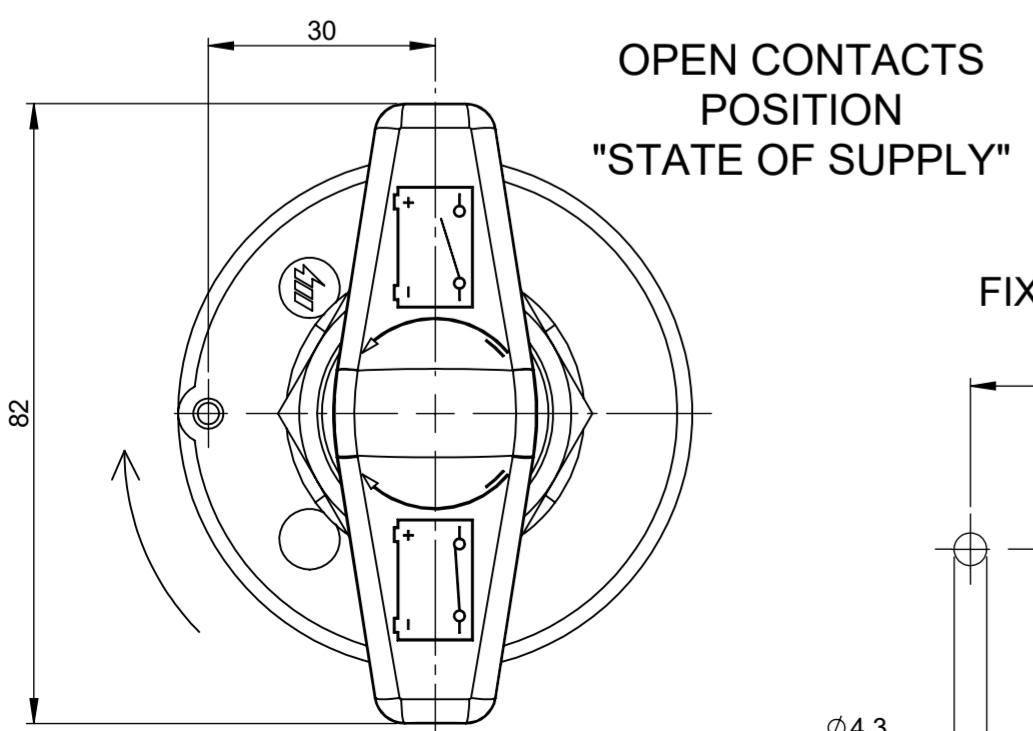
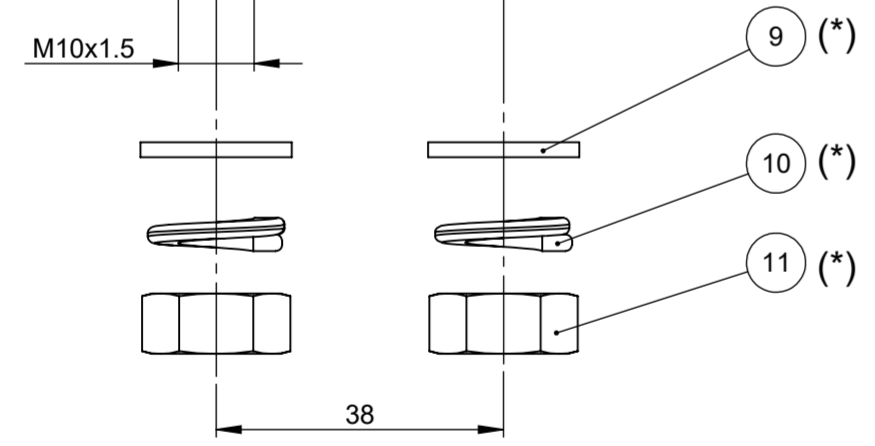


THIS DRAWING AND THE INFORMATION CONTAINED WITHIN IT ARE CONFIDENTIAL AND MAY NOT BE COPIED OR DISCLOSED WITHOUT THE WRITTEN PERMISSION OF LITTELFUSE.

REV.		REVISIONS		
REV.	DESCRIPTION	DATE	DESIGNED	APPROVED
A	First issue of outline drawing	22-Jan-21	L.Dal Molin	M.Tinto
B	Note added	26-Mar-21	L.Dal Molin	M.Tinto



POS.	P/N	DESCRIPTION	MATERIAL	Q.TY	U/M
11		Nut M10	Brass	2	EA
10		Spring washer To 10	Steel	2	EA
9		Washer Te 10.5x20	Steel	2	EA
8		Nut M5	Steel	2	EA
7		Spring washer To 5	Steel	2	EA
6		Plane washer Tc 5.3x9	Steel	2	EA
5		Complete IGC		1	EA
4		Elastic ring	Steel	1	EA
3		Nut M30x1.5	Brass	1	EA
2		Spiral spring pin	Steel	1	EA
1		Handle	Aluminium	1	EA



- PRESCRIPTIONS**
- Contacts lock by 90° clockwise rotation of handle
  - (\$) Marking of manufacturing date, indifferently on right or left terminal
  - (\*) Handle, spiral spring pin, nut M30x1.5, elastic ring, nuts and washers supplied in the kit
- CHARACTERISTICS**
- Max operating voltage: 24 DC
  - Max continuous current: 250A & 350A
  - Intermittent current: 2500A at 3 sec.
  - Handle operating torque: 2(±0.5) Nm
  - M10 nut closing pair: 19(±3) Nm
  - M5 nut closing pair: 1.5(±0.5) Nm
  - Locking nut M30x1.5: 35(±5) Nm
  - Maximum thickness lockable with nut M30: 12mm
  - ⓑ - Handle operating torque: 2±0.5 Nm

SAP drawing number: 10000098893

Material and treatments:

DIMENSIONS AND TOLERANCES IN MILLIMETERS, DEFINED ACCORDING TO ISO 1101-2017.

linear dimensions						
0,5	>3	>6	>30	>120	>400	>1000
3	6	30	120	400	1000	2000
±0,2	±0,3	±0,5	±0,8	±1,2	±2	±3
angle (for range of lengths)						
up to	>10	>50	>120	>400	>1200	>2000
10	50	120	400	1000	2000	
±1°30'	±1°	±0°30'	±0°15'			

● FIT/ FUNCTION CRITICAL CHARACTERISTICS SYMBOL  
 <S> SAFETY/ COMPLIANCE CRITICAL CHARACTERISTICS SYMBOL  
 CPK DENOTES CPK DIMENSIONS MINIMUM CPK VALUE  
 (ST) DENOTES A CHARACTERISTIC THAT PROVIDES AN INDICATION OF PROCESS PERFORMANCE PROCEDURE FOR MEASUREMENT AND TRACKING TO BE DEFINED IN LITTELFUSE INSPECTION INSTRUCTIONS  
 CP DENOTES CP DIMENSIONS - MINIMUM CP VALUE MUST BE WITHIN THE DIMENSIONAL LIMITATIONS SHOWN ON DRAWING AND INITIALLY LOCATED TO ALLOW FOR MAXIMUM TOOL LIFE

NAME	DATE
DRAWN L. Dal Molin	22-Jan-21
CHECKED -	-
-	-
-	-

**Littelfuse**  
 Expertise Applied | Answers Delivered

FORM NO: CVP-PE40-0013 REV A  
 FIRST ANGLE PROJECTION  
 TITLE: 250A MANUAL BATTERY MASTER SWITCH WITH FIXED HANDLE  
 SIZE: A2 DWG. NO: OL-08099100  
 DO NOT SCALE DRAWING SCALE 1:1 SHEET 1 OF 1