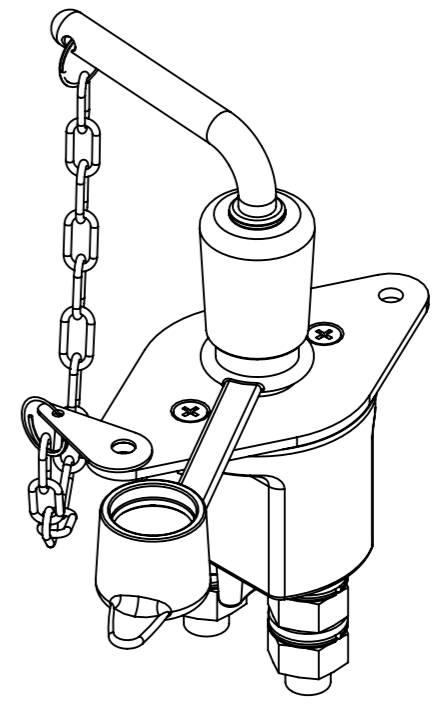
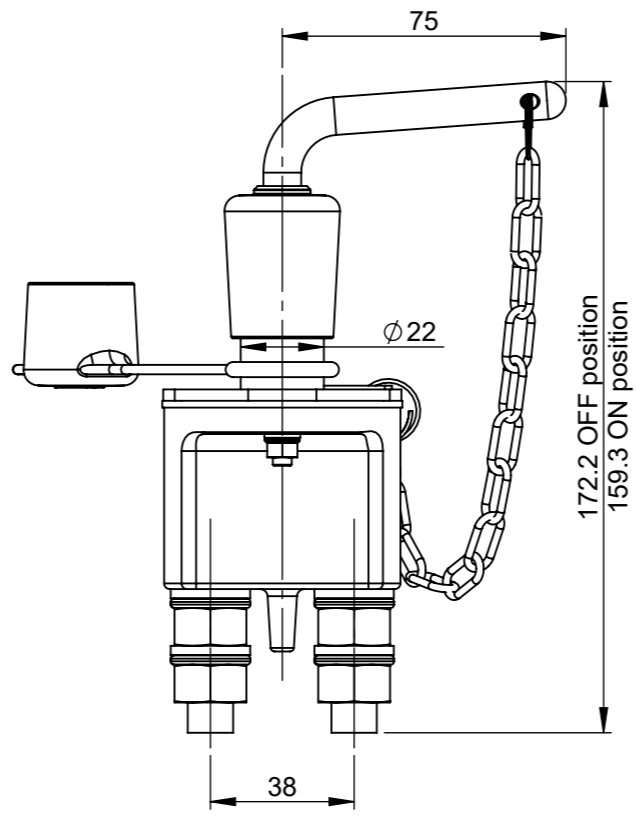
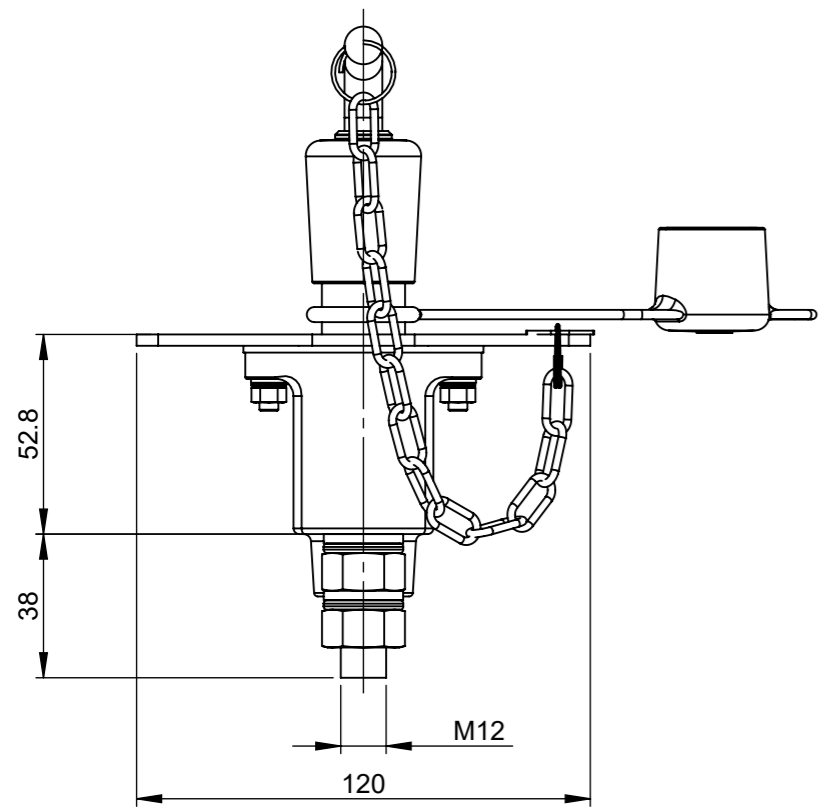


THIS DRAWING AND THE INFORMATION CONTAINED WITHIN IT ARE CONFIDENTIAL AND MAY NOT BE COPIED OR DISCLOSED WITHOUT THE WRITTEN PERMISSION OF LITTELFUSE.

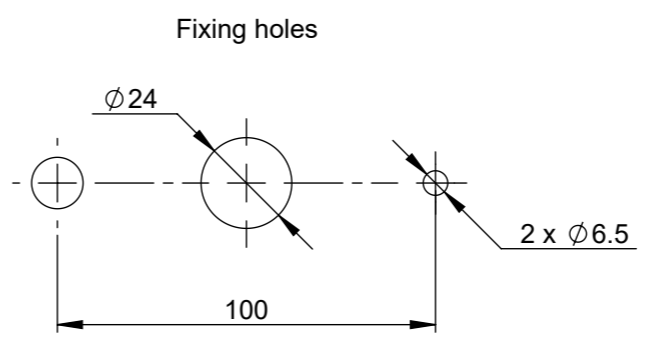
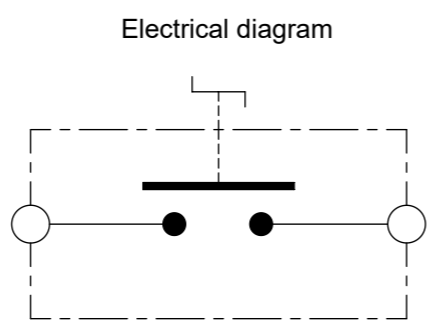
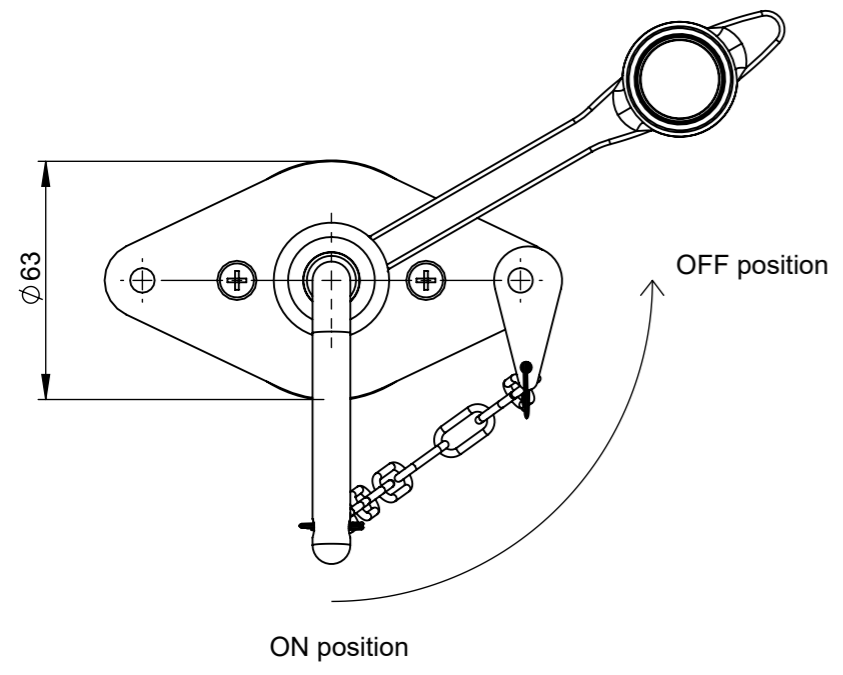
| REVISIONS | | | | | |
|-----------|-----------------|-----------|-----------|-------------|----------|
| REV. | DESCRIPTION | DATE | GCF / ECR | DESIGNED | APPROVED |
| A | Initial release | 09-Jun-22 | | L.Dal Molin | M.Tinto |



SCALE 1:2

CHARACTERISTICS AND PRESCRIPTIONS

- Rated voltage: 12V-24V
- Voltage limit operation: 16V ± 32V
- Maximum continuous current in the main contact: 350A at 23°C
- Maximum current of short duration in the main contact: 2500A for 5sec at 23°C
- Number of electrical operations: 5000
- Number of mechanical operations: 5000
- Fix the M6 screws: 8 ± 1 Nm
- Fix the M12 nut: 20 ± 2 Nm
- Handle operation torque: 3.5 ± 2 Nm
- Accessories: 08099500 - 08099800 - 00902500



DIMENSIONS AND TOLERANCES IN MILLIMETERS, DEFINED ACCORDING TO ISO 1101-2017.

| linear dimensions | | | | | | |
|-------------------|------|------|------|------|------|-------|
| 0,5 | >3 | >6 | >30 | >120 | >400 | >1000 |
| 3 | 6 | 30 | 120 | 400 | 1000 | 2000 |
| ±0,2 | ±0,3 | ±0,5 | ±0,8 | ±1,2 | ±2 | ±3 |

| angle (for range of lengths) | | | |
|------------------------------|-----|--------|--------|
| up to 10 | >10 | >50 | >120 |
| | 50 | 120 | 400 |
| ±1°30' | ±1° | ±0°30' | ±0°15' |

| | |
|-----|---|
| ● | FIT/ FUNCTION CRITICAL CHARACTERISTICS SYMBOL |
| <S> | SAFETY/ COMPLIANCE CRITICAL CHARACTERISTICS SYMBOL |
| CPK | DENOTES CPK DIMENSIONS MINIMUM CPK VALUE |
| ST | DENOTES A CHARACTERISTIC THAT PROVIDES AN INDICATION OF PROCESS PERFORMANCE. PROCEDURE FOR MEASUREMENT AND TRACKING TO BE DEFINED IN LITTELFUSE INSPECTION INSTRUCTIONS |
| CP | DENOTES CP DIMENSIONS, -MINIMUM CP VALUE MUST BE WITHIN THE DIMENSIONAL LIMITATIONS SHOWN ON DRAWING AND INITIALLY LOCATED TO ALLOW FOR MAXIMUM TOOL LIFE |

| | | |
|------------------------------|------------------------|--|
| NAME | DATE | <p>Littelfuse Expertise Applied Answers Delivered</p> |
| DRAWN | L. Dal Molin 09-Jun-22 | |
| CHECKED | - | |
| | | |
| FORM NO: CVP-PE40-0013 REV A | | TITLE |
| FIRST ANGLE PROJECTION | | BATT SWITCH REMOVED HANDLE |
| | | GASKET M12 |
| SIZE: A3 | DWG. NO. OL-08098980 | OUTLINE REV. A |
| DO NOT SCALE DRAWING | SCALE 1:2 | SHEET 1 OF 1 |