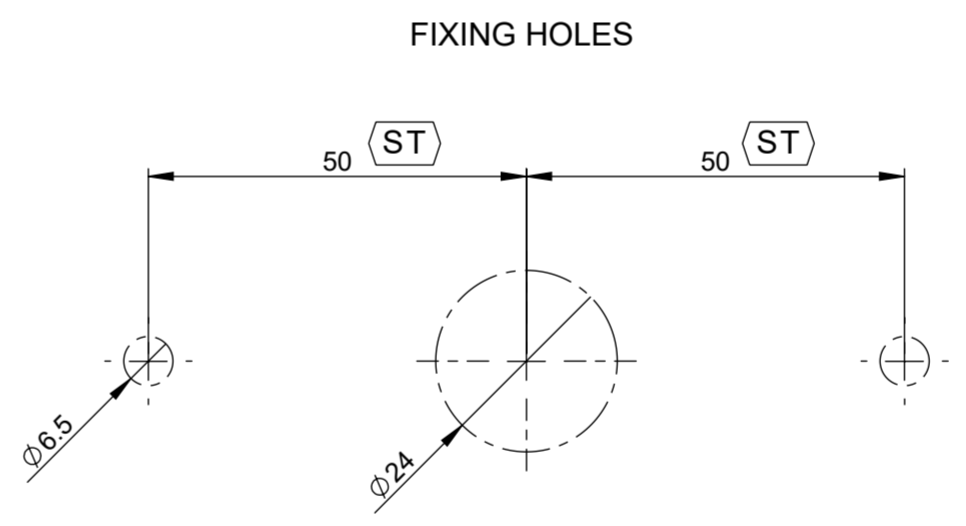
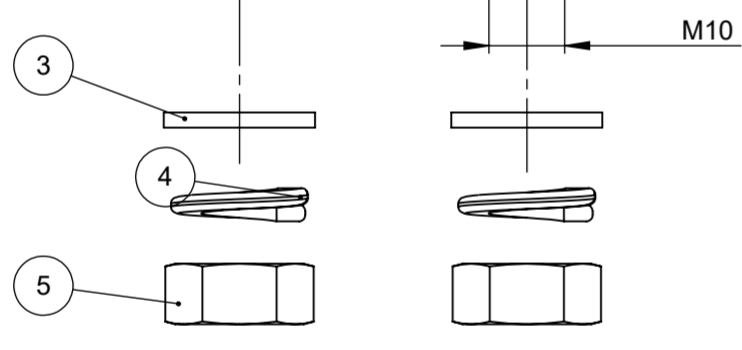
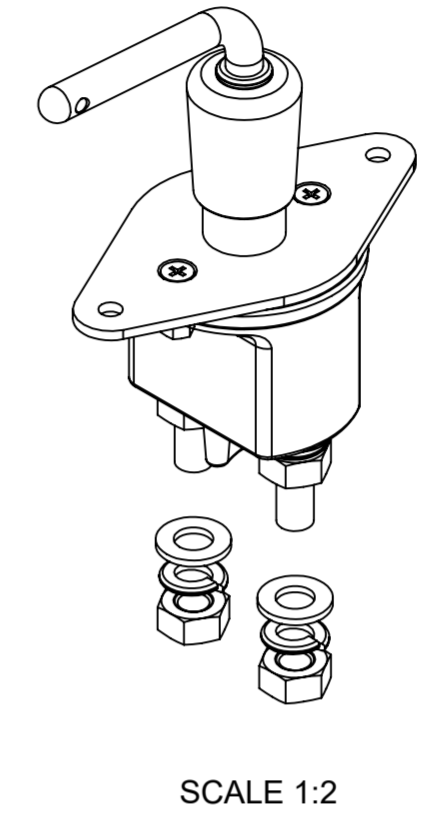
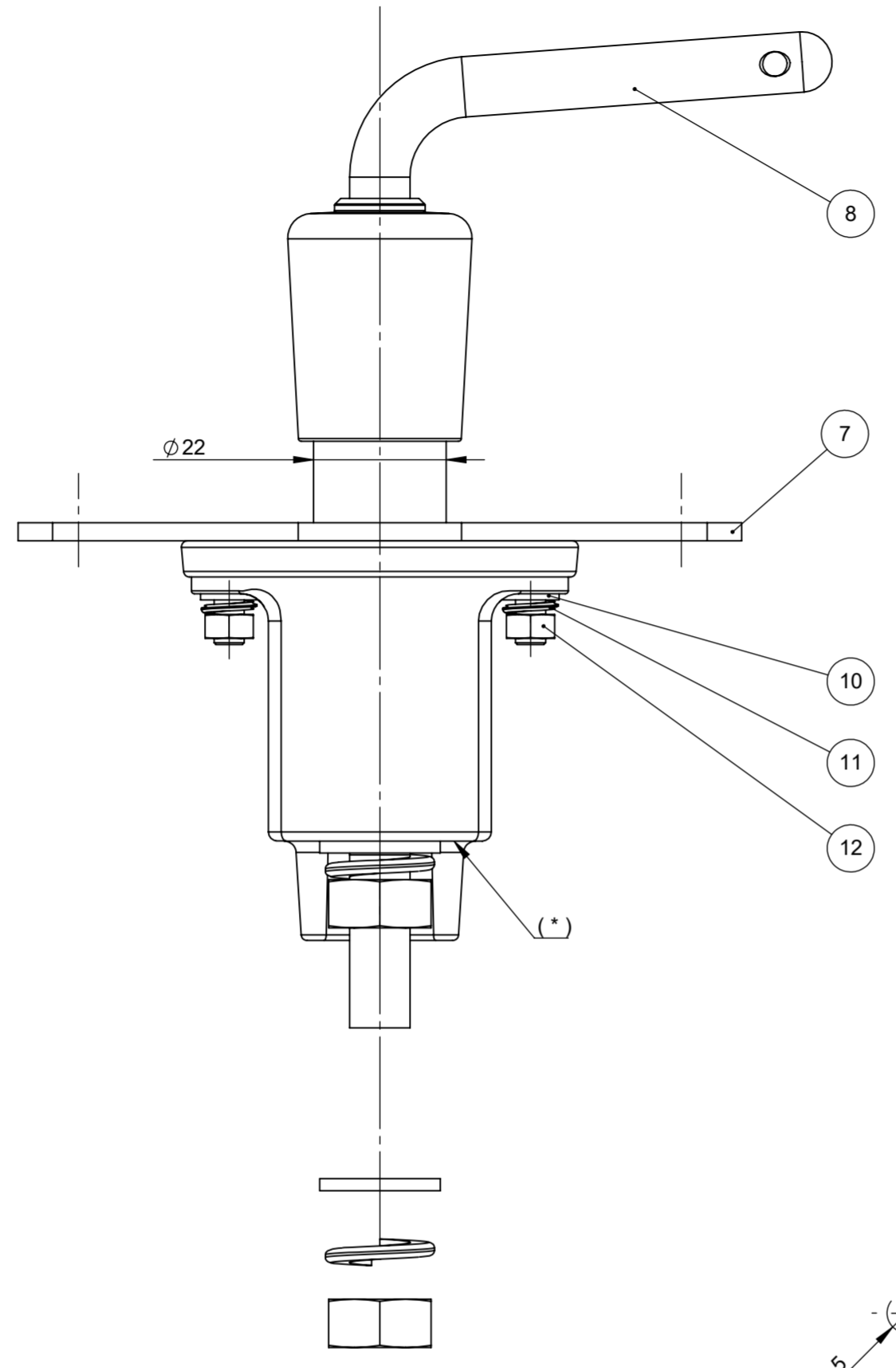
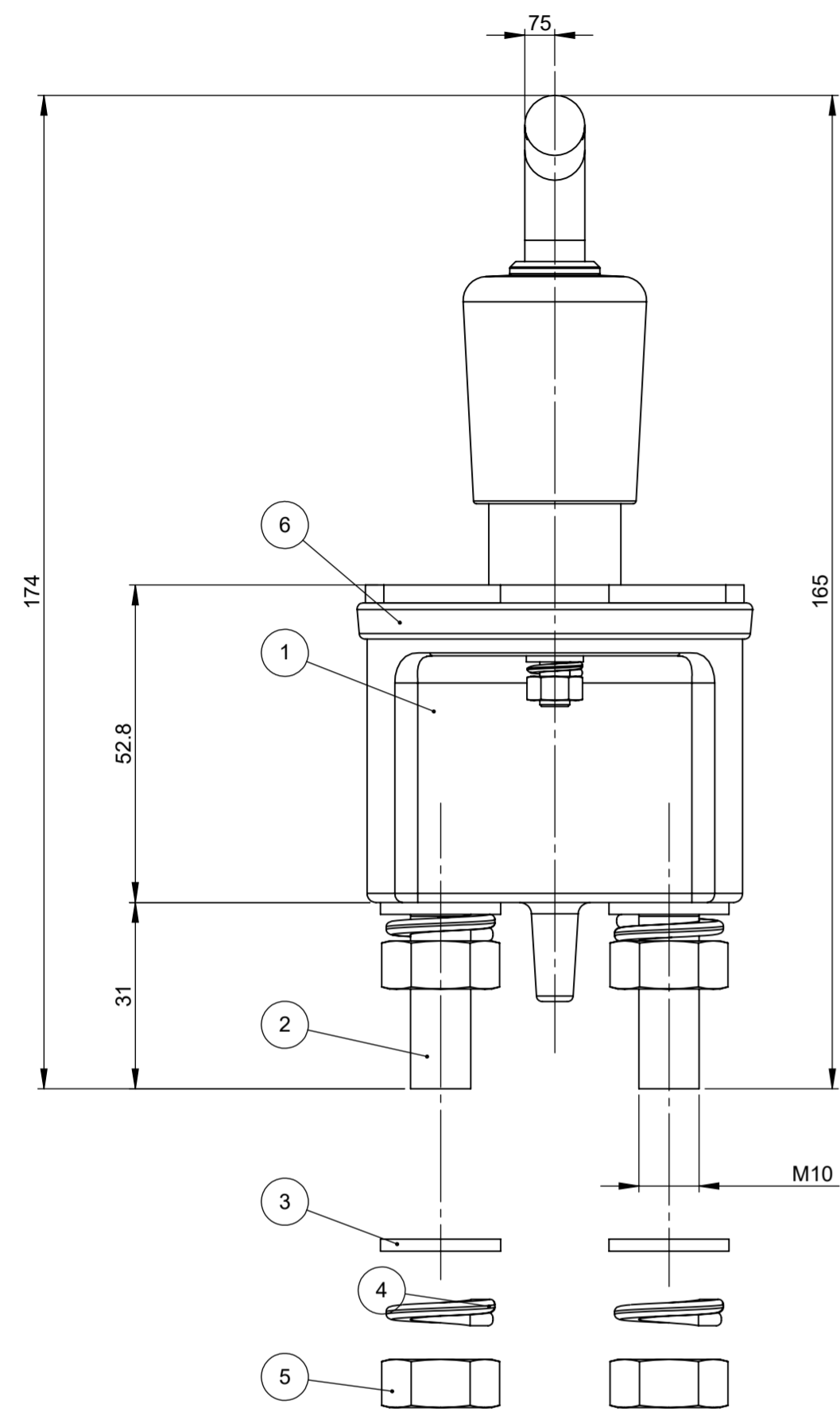
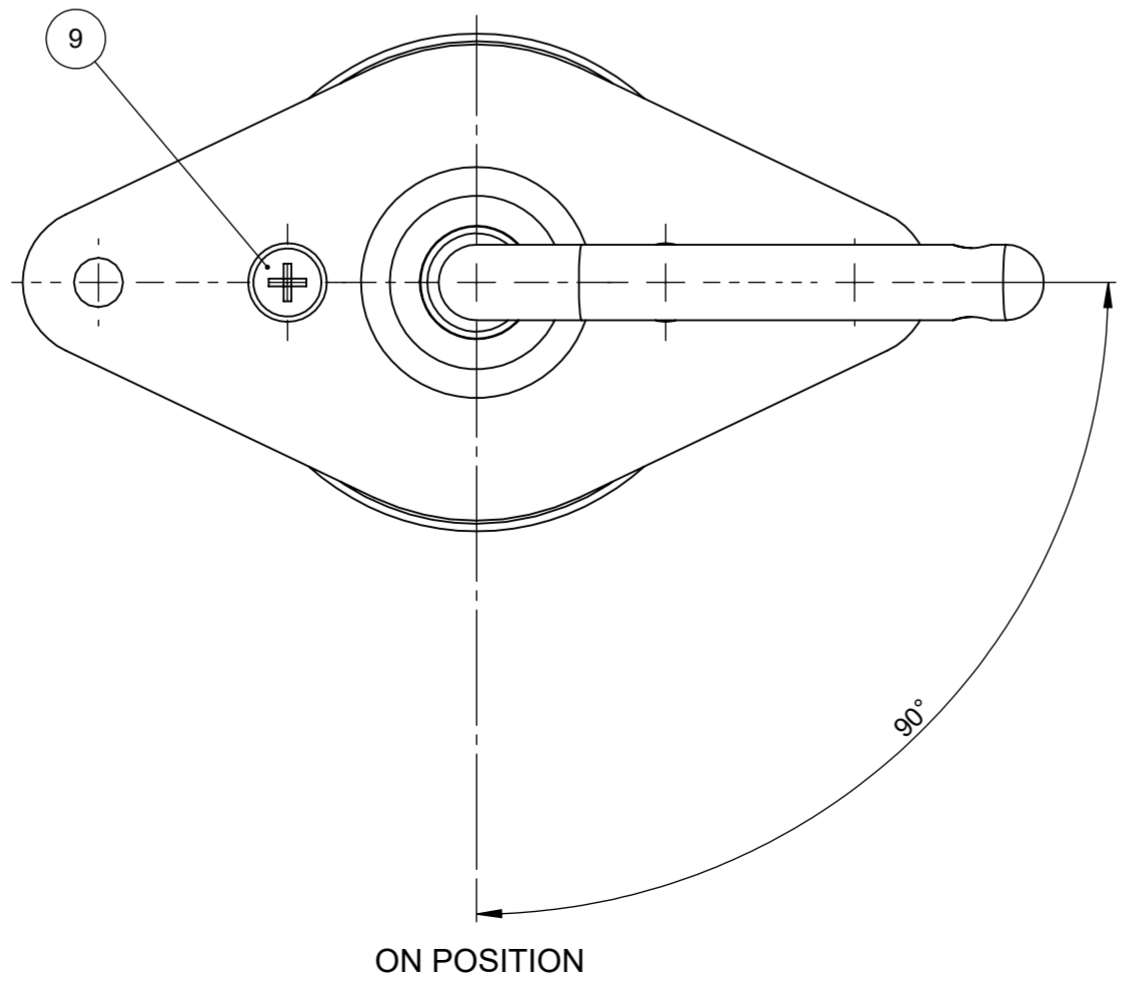


THIS DRAWING AND THE INFORMATION CONTAINED WITHIN IT ARE CONFIDENTIAL AND MAY NOT BE COPIED OR DISCLOSED WITHOUT THE WRITTEN PERMISSION OF LITTELFUSE.

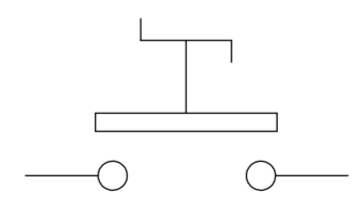
REVISIONS				
REV.	DESCRIPTION	DATE	DESIGNED	APPROVED
A	First issue of outline drawing	28-May-20	L.Dal Molin	M.Tinto



POS.	P/N	DESCRIPTION	MATERIAL	Q.TY	U/M
12		Nut M5	Steel	2	EA
11		Spring washer To 5	Steel	2	EA
10		Plain washer Tc 5.3x9	Steel	2	EA
9		Screw M5x20	Steel	2	EA
8	00902400	Lever complete	Steel and rubber	1	EA
7		Upper body cam	Steel	1	EA
6		Gasket	Rubber	1	EA
5		Nut M10	Steel	4	EA
4		Spring washer	Steel	4	EA
3		Washer Te 10.5x20	Steel	4	EA
2		M10 fixed contact screw	Copper	2	EA
1		Cont.-holder 2xM10 long flame	Phenolic resin	1	EA



ELECTRICAL DIAGRAM



**PRESCRIPTIONS**  
 - ( \* ) Marking of date of manufacturing  
 - Maximum torque of closing nuts M10= 20 ± 2Nm  
 - Torque of handle 3.5 ± 2Nm at 23°C

SAP drawing number:  
 Material and treatments:

DIMENSIONS AND TOLERANCES IN MILLIMETERS, DEFINED ACCORDING TO ISO 1101-2017.						
linear dimensions						
0,5	>3	>6	>30	>120	>400	>1000
3	6	30	120	400	1000	2000
±0,2	±0,3	±0,5	±0,8	±1,2	±2	±3
angle (for range of lengths)						
up to	>10	>50	>120	>400	>1000	>2000
10	50	120	400	1000	2000	
±1°30'	±1°	±0°30'	±0°15'			

●	FIT/ FUNCTION CRITICAL CHARACTERISTICS SYMBOL					
<S>	SAFETY/ COMPLIANCE CRITICAL CHARACTERISTICS SYMBOL					
CPK	DENOTES CPK DIMENSIONS MINIMUM CPK VALUE					
ST	DENOTES A CHARACTERISTIC THAT PROVIDES AN INDICATION OF PROCESS PERFORMANCE. PROCEDURE FOR MEASUREMENT AND TRACKING TO BE DEFINED IN LITTELFUSE INSPECTION INSTRUCTIONS					
CP	DENOTES CP DIMENSIONS. MINIMUM CP VALUE MUST BE WITHIN THE DIMENSIONAL LIMITATIONS SHOWN ON DRAWING AND INITIALLY LOCATED TO ALLOW FOR MAXIMUM TOOL LIFE					
NAME		DATE		 <b>Expertise Applied   Answers Delivered</b>		
DRAWN		L. Dal Molin 09-Apr-19				
CHECKED		-				
FORM NO. CVP-PE40-0013 REV A				TITLE		
FIRST ANGLE PROJECTION				BATTERY MAIN SWITCH IGC/250F		
SIZE: A2		DWG. NO. OL-08098892		OUTLINE REV. A		
DO NOT SCALE DRAWING		SCALE 1:1		SHEET 1 OF 1		