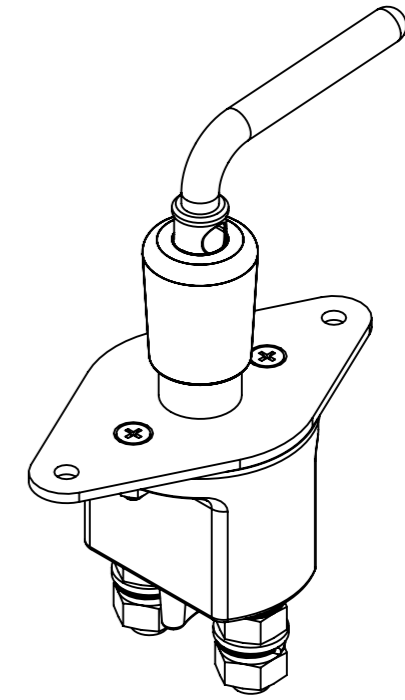
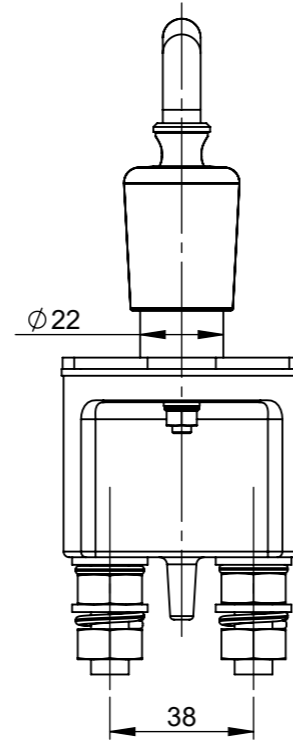
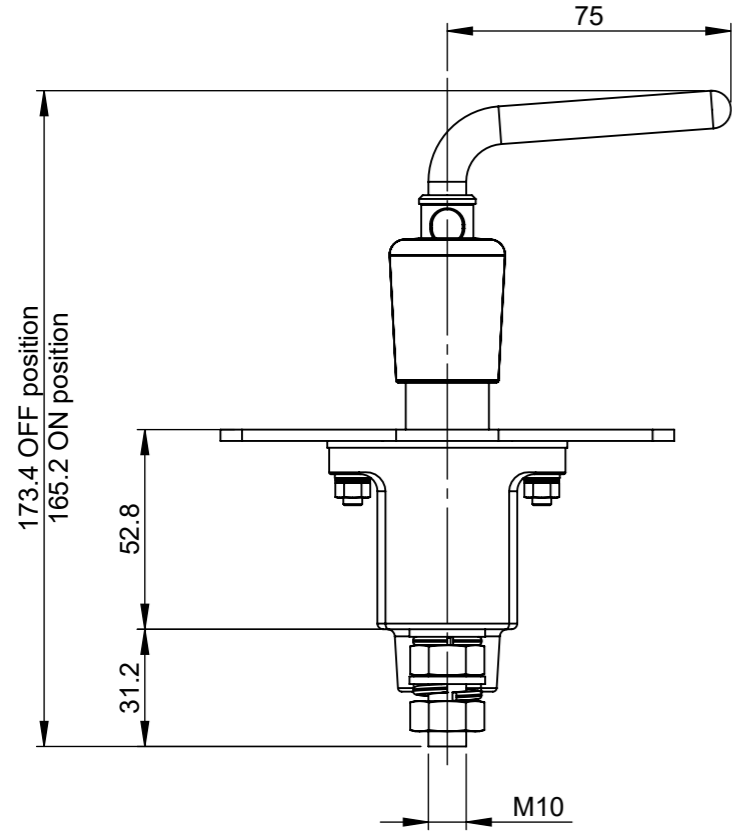


THIS DRAWING AND THE INFORMATION CONTAINED WITHIN IT ARE CONFIDENTIAL AND MAY NOT BE COPIED OR DISCLOSED WITHOUT THE WRITTEN PERMISSION OF LITTELFUSE.

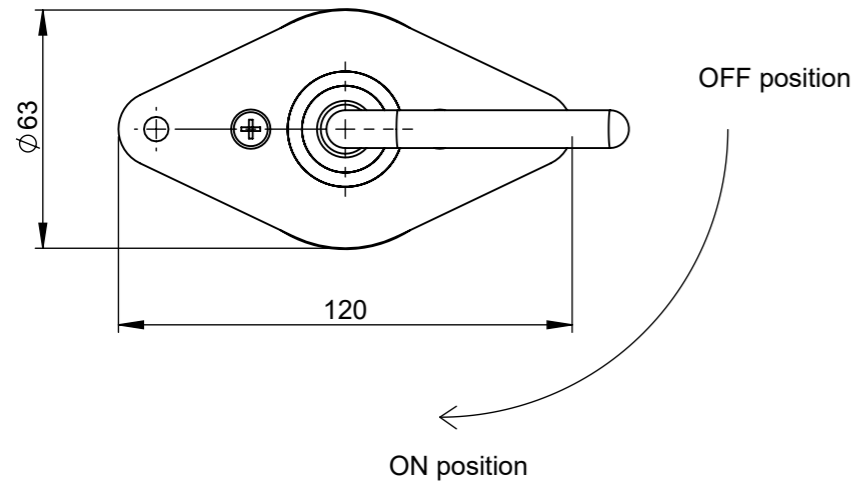
REVISIONS					
REV.	DESCRIPTION	DATE	GCF / ECR	DESIGNED	APPROVED
A	Initial release	08-Jun-22		L.Dal Molin	M.Tinto



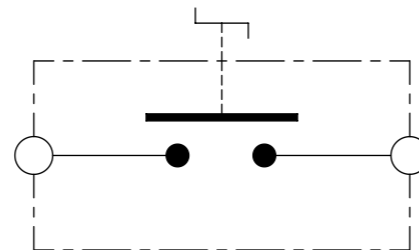
SCALE 1:2

CHARACTERISTICS AND PRESCRIPTIONS

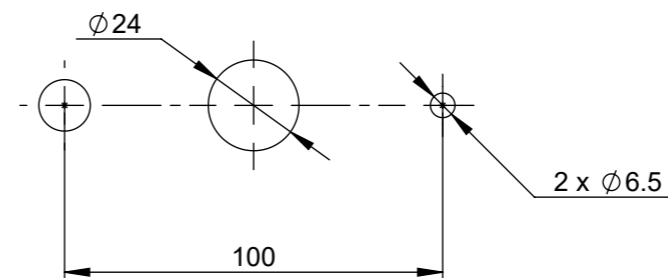
- Rated voltage: 14V-28V
- Voltage limit operation: 16V + 32V
- Maximum continuous current in the main contact: 250A at 23°C
- Maximum current of short duration in the main contact: 2000A for 5sec at 23°C
- Number of electrical operations: 5000
- Number of mechanical operations: 5000
- Fix the M6 screws: 8 ± 1 Nm
- Fix the M10 nut: 22 ± 1.1 Nm
- Handle operation torque: 3.5 ± 2 Nm
- Accessories: 08099800



Electrical diagram



Fixing holes



DIMENSIONS AND TOLERANCES IN MILLIMETERS, DEFINED ACCORDING TO ISO 1101-2017.

linear dimensions						
0,5	>3	>6	>30	>120	>400	>1000
3	6	30	120	400	1000	2000
±0,2	±0,3	±0,5	±0,8	±1,2	±2	±3

angle (for range of lengths)			
up to	>10	>50	>120
10	50	120	400
±1°30'	±1°	±0°30'	±0°15'

●	FIT/ FUNCTION CRITICAL CHARACTERISTICS SYMBOL
<S>	SAFETY/ COMPLIANCE CRITICAL CHARACTERISTICS SYMBOL
CPK	DENOTES CPK DIMENSIONS MINIMUM CPK VALUE
ST	DENOTES A CHARACTERISTIC THAT PROVIDES AN INDICATION OF PROCESS PERFORMANCE. PROCEDURE FOR MEASUREMENT AND TRACKING TO BE DEFINED IN LITTELFUSE INSPECTION INSTRUCTIONS
CP	DENOTES CP DIMENSIONS, -MINIMUM CP VALUE MUST BE WITHIN THE DIMENSIONAL LIMITATIONS SHOWN ON DRAWING AND INITIALLY LOCATED TO ALLOW FOR MAXIMUM TOOL LIFE

DRAWN	L. Dal Molin	08-Jun-22	<p>Expertise Applied Answers Delivered</p>
CHECKED	-	-	
	-	-	
	-	-	
FORM NO: CVP-PE40-0013 REV A			TITLE
FIRST ANGLE PROJECTION			MANUAL BATT SWITCH LOCK HANDLE
DO NOT SCALE DRAWING			M10 SIZE: A3 DWG. NO. OL-08098882 OUTLINE REV. A SCALE 1:2 SHEET 1 OF 1