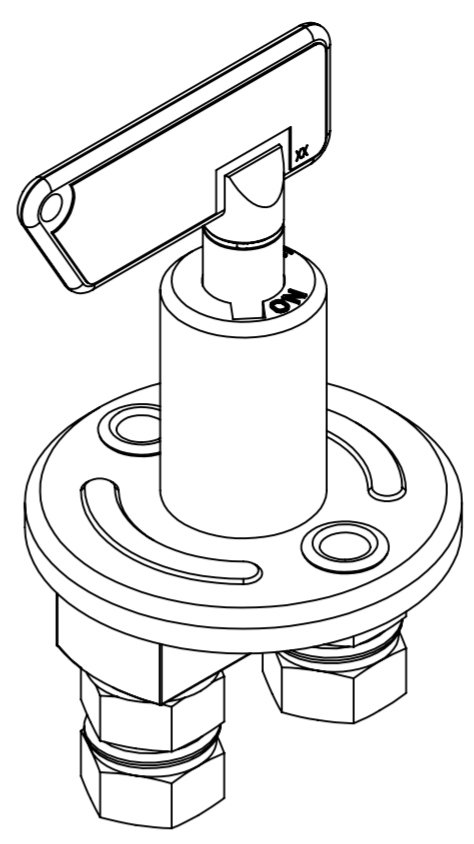
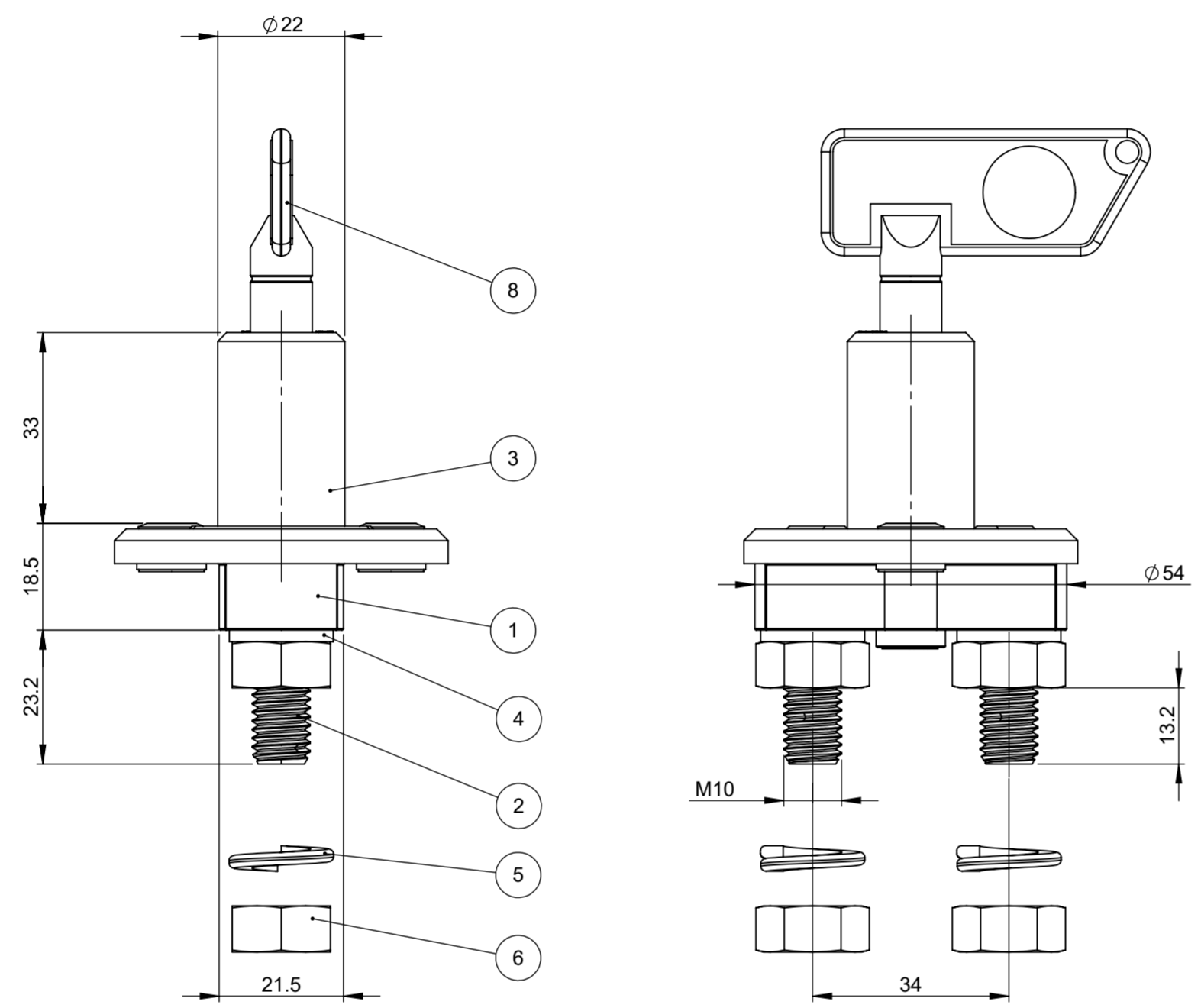


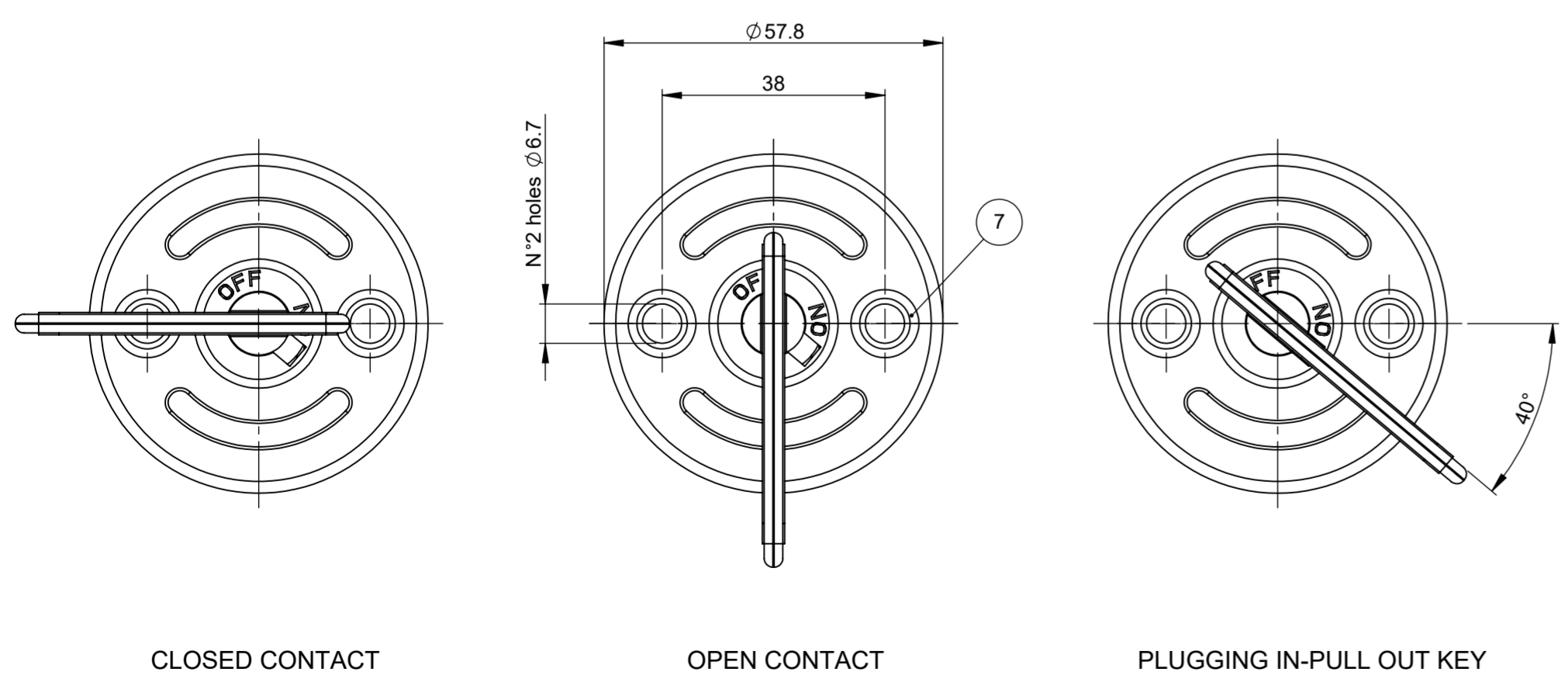
THIS DRAWING AND THE INFORMATION CONTAINED WITHIN IT ARE CONFIDENTIAL AND MAY NOT BE COPIED OR DISCLOSED WITHOUT THE WRITTEN PERMISSION OF LITTELFUSE.

REVISIONS				
REV.	DESCRIPTION	DATE	DESIGNED	APPROVED
A	First issue of outline drawing	22-May-20	L.Dal Molin	M.Tinto



SCALE 1:1

POS.	DESCRIPTION	MATERIAL	QTY.	U/M
8	Key no logo red complete		1	EA
7	Eyelet	Iron	1	EA
6	Nut M10	Brass	4	EA
5	Spring washer	Bronze	2	EA
4	Washer 10.3x18x2		2	EA
3	Upper body cam double	Polyamide	1	EA
2	Power stud M10	Copper	2	EA
1	Lower body M10 cont.-holder hole	Polyamide	1	EA



CHARACTERISTICS AND PRESCRIPTIONS

- Nominal voltage: 24V max
- Maximum continuous current: 150A
- Maximum current: 1000A for 5sec at 25°C
- Maximum short time current: 450A for 4.5 minutes
- Tightening torque M10 nuts ref. 7 ± 1Nm

SAP drawing number:

Material and treatments:

DIMENSIONS AND TOLERANCES IN MILLIMETERS, DEFINED ACCORDING TO ISO 1101-2017.						
linear dimensions						
0,5	>3	>6	>30	>120	>400	>1000
3	6	30	120	400	1000	2000
±0,2	±0,3	±0,5	±0,8	±1,2	±2	±3
angle (for range of lengths)						
up to	>10	>50	>120	>400		
10	50	120	400			
±1°30'	±1°	±0°30'	±0°15'			
●	FIT/ FUNCTION CRITICAL CHARACTERISTICS SYMBOL					
<S>	SAFETY/ COMPLIANCE CRITICAL CHARACTERISTICS SYMBOL					
CPK	DENOTES CPK DIMENSIONS MINIMUM CPK VALUE					
ST	DENOTES A CHARACTERISTIC THAT PROVIDES AN INDICATION OF PROCESS PERFORMANCE. PROCEDURE FOR MEASUREMENT AND TRACKING TO BE DEFINED IN LITTELFUSE INSPECTION INSTRUCTIONS					
CP	DENOTES CP DIMENSIONS. MINIMUM CP VALUE MUST BE WITHIN THE DIMENSIONAL LIMITATIONS SHOWN ON DRAWING AND INITIALLY LOCATED TO ALLOW FOR MAXIMUM TOOL LIFE					
NAME		DATE		 Expertise Applied Answers Delivered		
DRAWN		L. Dal Molin 05-Apr-19				
CHECKED		-				
-		-				
FORM NO. CVP-PE40-0013 REV A				TITLE		
FIRST ANGLE PROJECTION				BATTERY MAIN SWITCH IGC-150 (N°2 M10)		
SIZE: A2		DWG. NO. OL-08098780		OUTLINE REV. A		
DO NOT SCALE DRAWING				SCALE 1:1		SHEET 1 OF 1