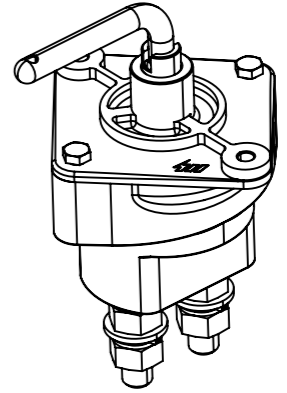
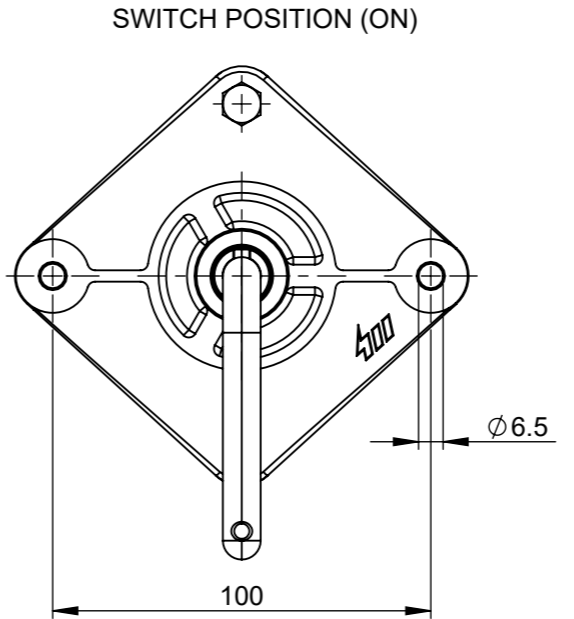
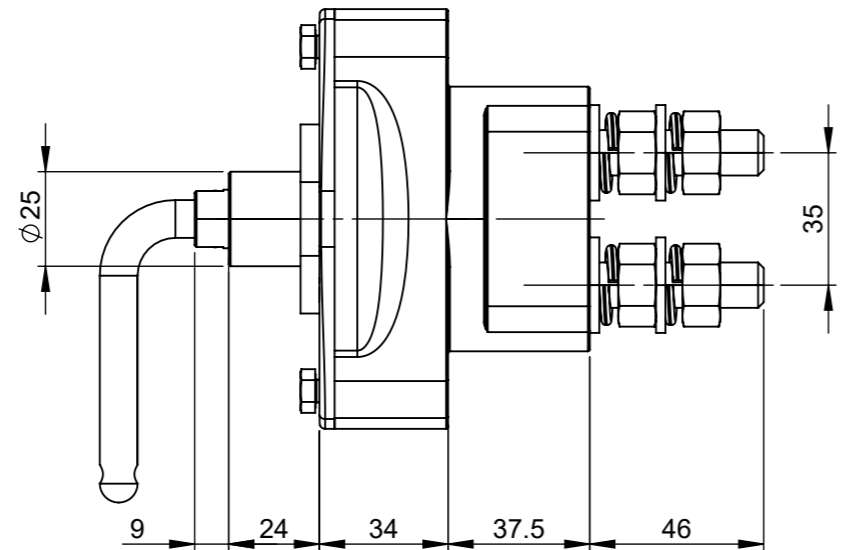
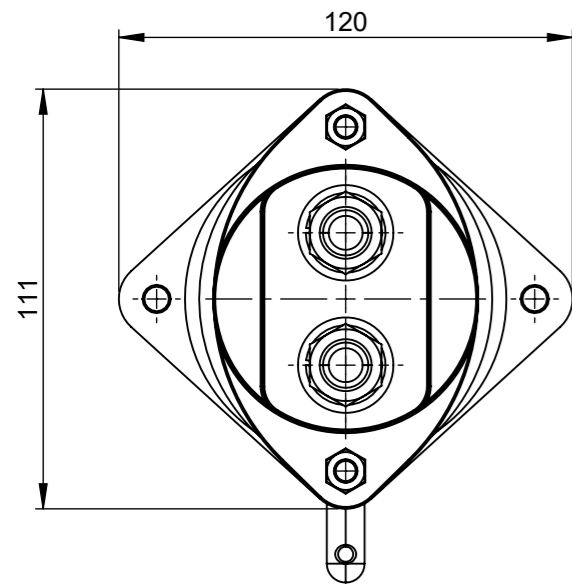
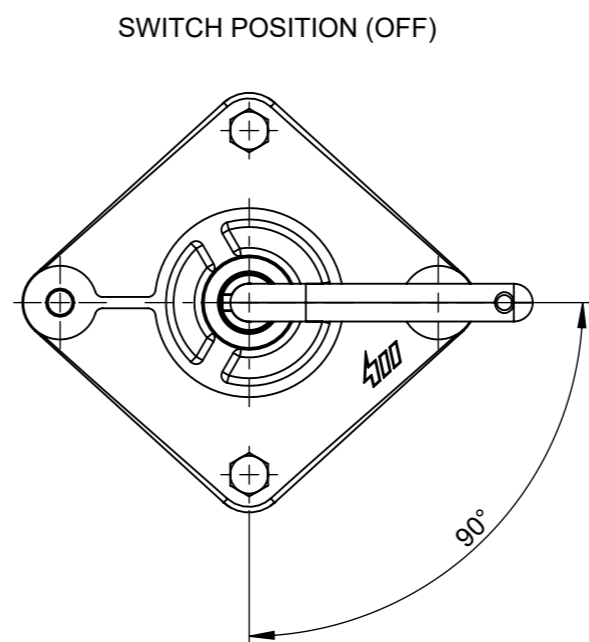
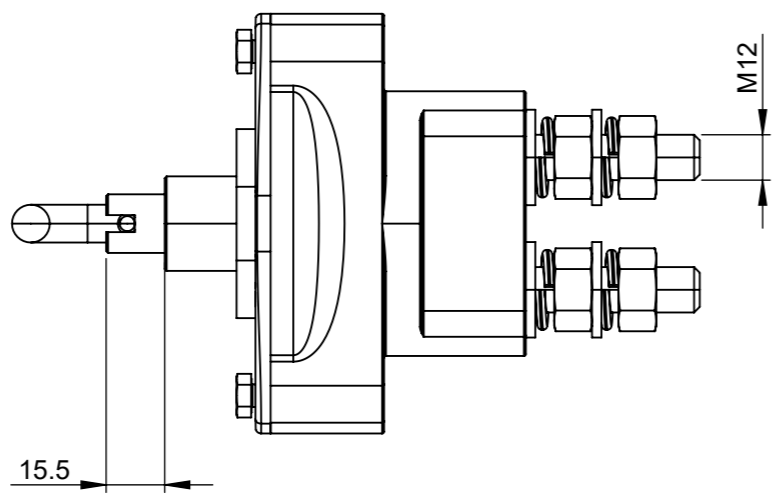


THIS DRAWING AND THE INFORMATION CONTAINED WITHIN IT ARE CONFIDENTIAL AND MAY NOT BE COPIED OR DISCLOSED WITHOUT THE WRITTEN PERMISSION OF LITTELFUSE.

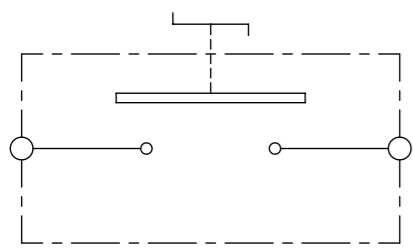
REVISIONS					
REV.	DESCRIPTION	DATE	GCF / ECR	DESIGNED	APPROVED
A	Initial release	07-Jun-22		L.Dal Molin	M.Tinto



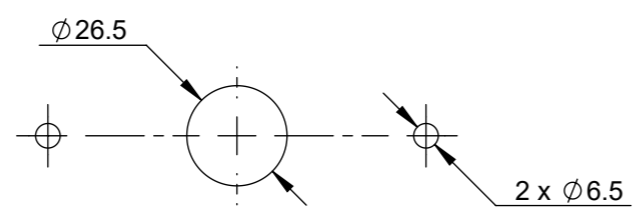
SCALE 1:3



Electrical Diagram



Fixing Holes



CHARACTERISTICS AND PRESCRIPTIONS

- Rated voltage: 12V-24V
- Voltage limit operation: 16V ± 32V
- Maximum continuous current in the main contact: 350A at 23 °C
- Maximum current of short duration in the main contact: 2500A for 5sec at 23 °C
- Number of electrical operations: 5000
- Number of mechanical operations: 5000
- Fix the M6 screws: 8 ± 1 Nm
- p/N of removable lever: 08099600

DIMENSIONS AND TOLERANCES IN MILLIMETERS, DEFINED ACCORDING TO ISO 1101-2017.

linear dimensions						
0,5	>3	>6	>30	>120	>400	>1000
3	6	30	120	400	1000	2000
±0,2	±0,3	±0,5	±0,8	±1,2	±2	±3
angle (for range of lengths)						
up to	>10	>50	>120	>400		
10	50	120	400			
±1°30'	±1°	±0°30'	±0°15'			

●	FIT/ FUNCTION CRITICAL CHARACTERISTICS SYMBOL
<S>	SAFETY/ COMPLIANCE CRITICAL CHARACTERISTICS SYMBOL
CPK	DENOTES CPK DIMENSIONS MINIMUM CPK VALUE
ST	DENOTES A CHARACTERISTIC THAT PROVIDES AN INDICATION OF PROCESS PERFORMANCE. PROCEDURE FOR MEASUREMENT AND TRACKING TO BE DEFINED IN LITTELFUSE INSPECTION INSTRUCTIONS
CP	DENOTES CP DIMENSIONS, -MINIMUM CP VALUE MUST BE WITHIN THE DIMENSIONAL LIMITATIONS SHOWN ON DRAWING AND INITIALLY LOCATED TO ALLOW FOR MAXIMUM TOOL LIFE

NAME	DATE	<p><b>Expertise Applied   Answers Delivered</b></p>		
DRAWN	L. Dal Molin 07-Jun-22			
CHECKED	-	TITLE		
		BMS WITH REMOVABLE LEVER IGC-350		
FORM NO:	CVP-PE40-0013 REV A	SIZE: A3	DWG. NO. OL-08098600	OUTLINE REV. A
FIRST ANGLE PROJECTION		DO NOT SCALE DRAWING	SCALE 1:2	SHEET 1 OF 1