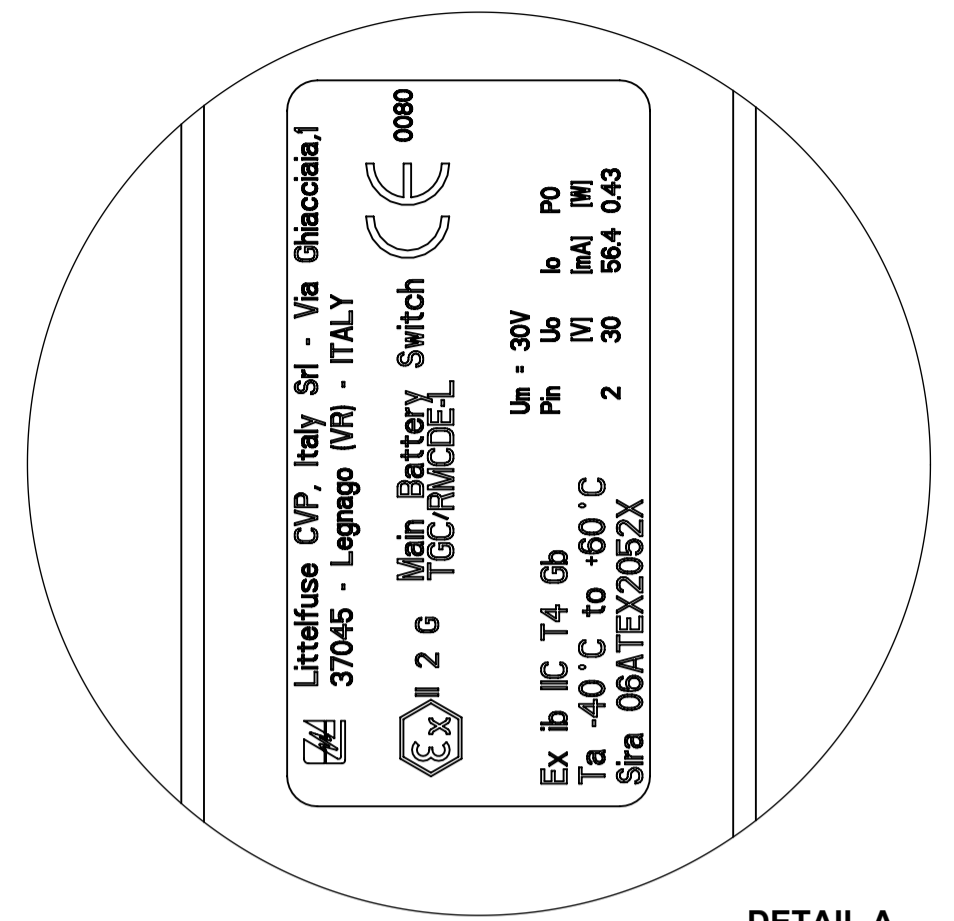
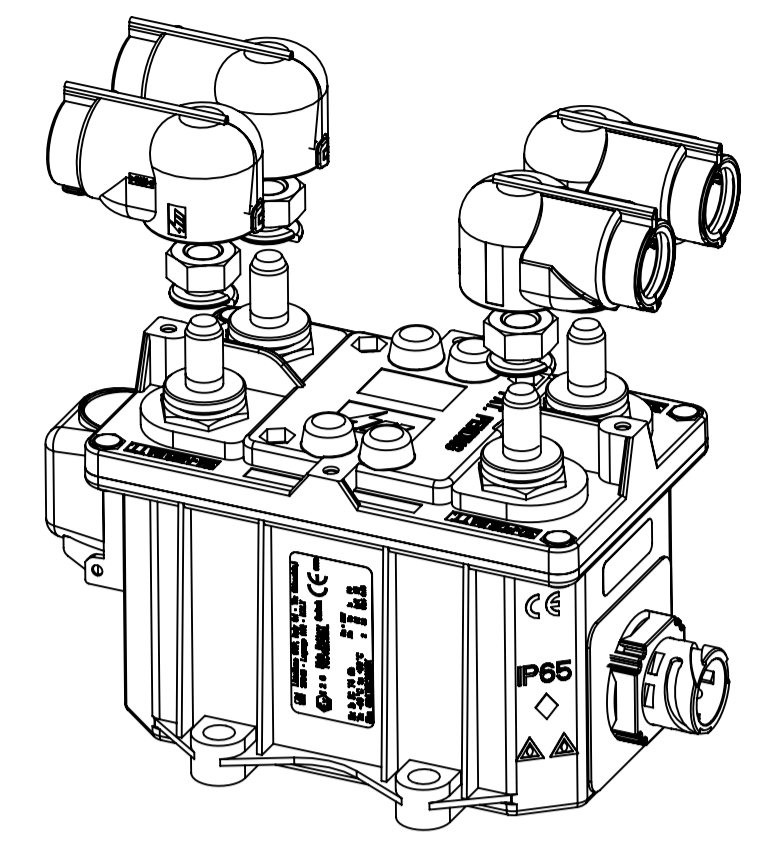
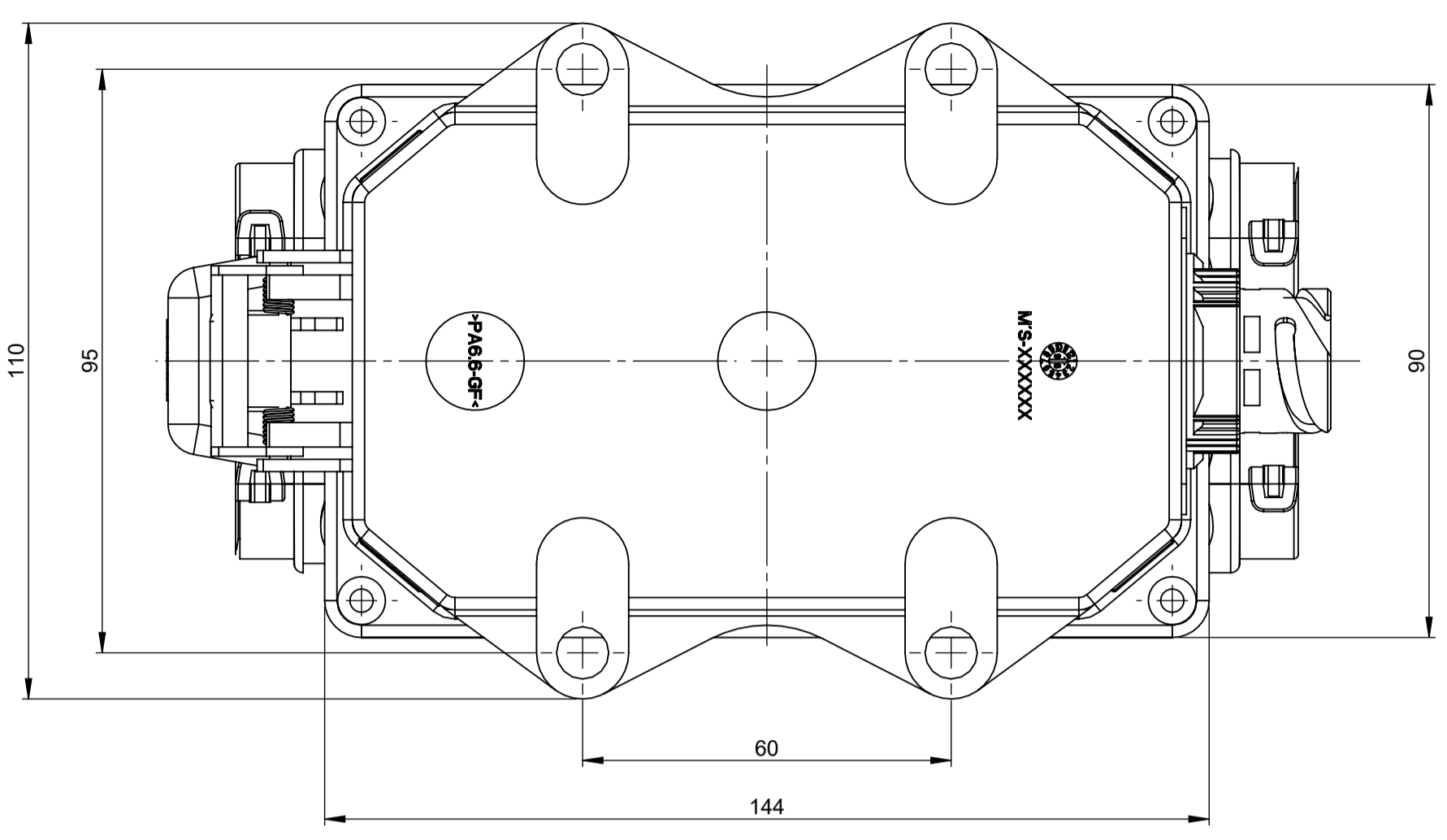


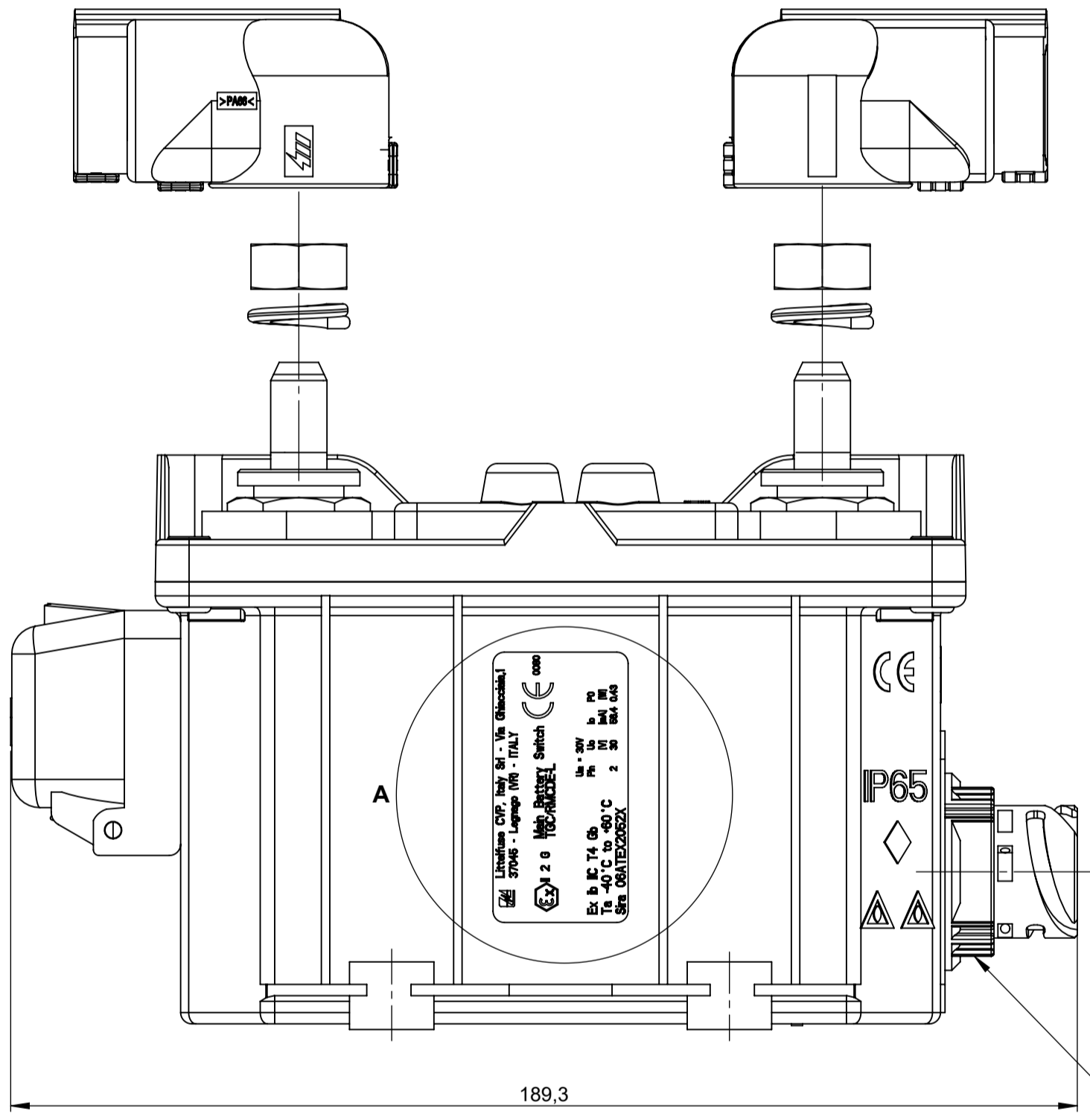
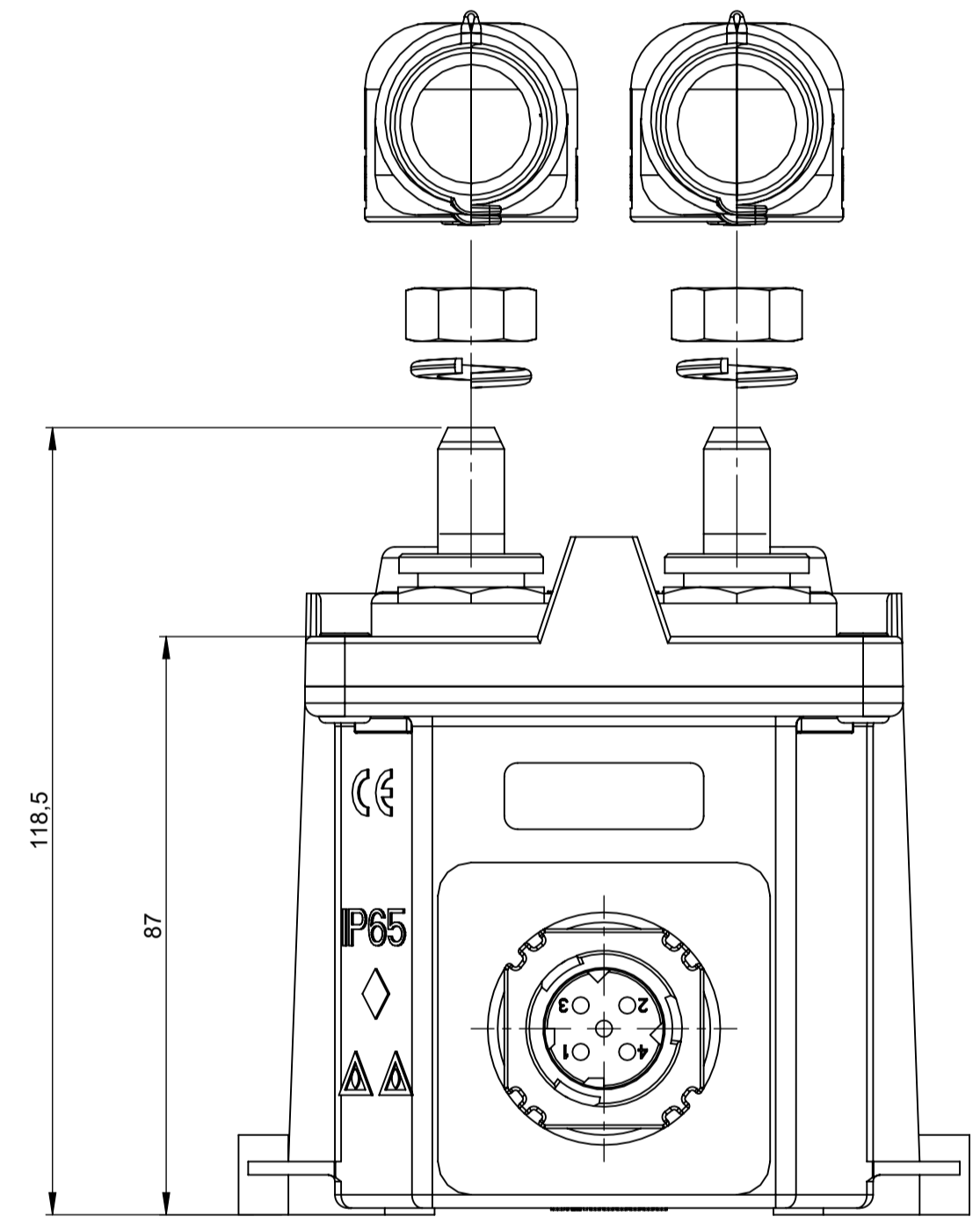
REV.		REVISIONS		
REV.	DESCRIPTION	DATE	DESIGNED	APPROVED
A	FIRST ISSUE OF OUTLINE DRAWING	08-July_2020	Gasparini	Tinto



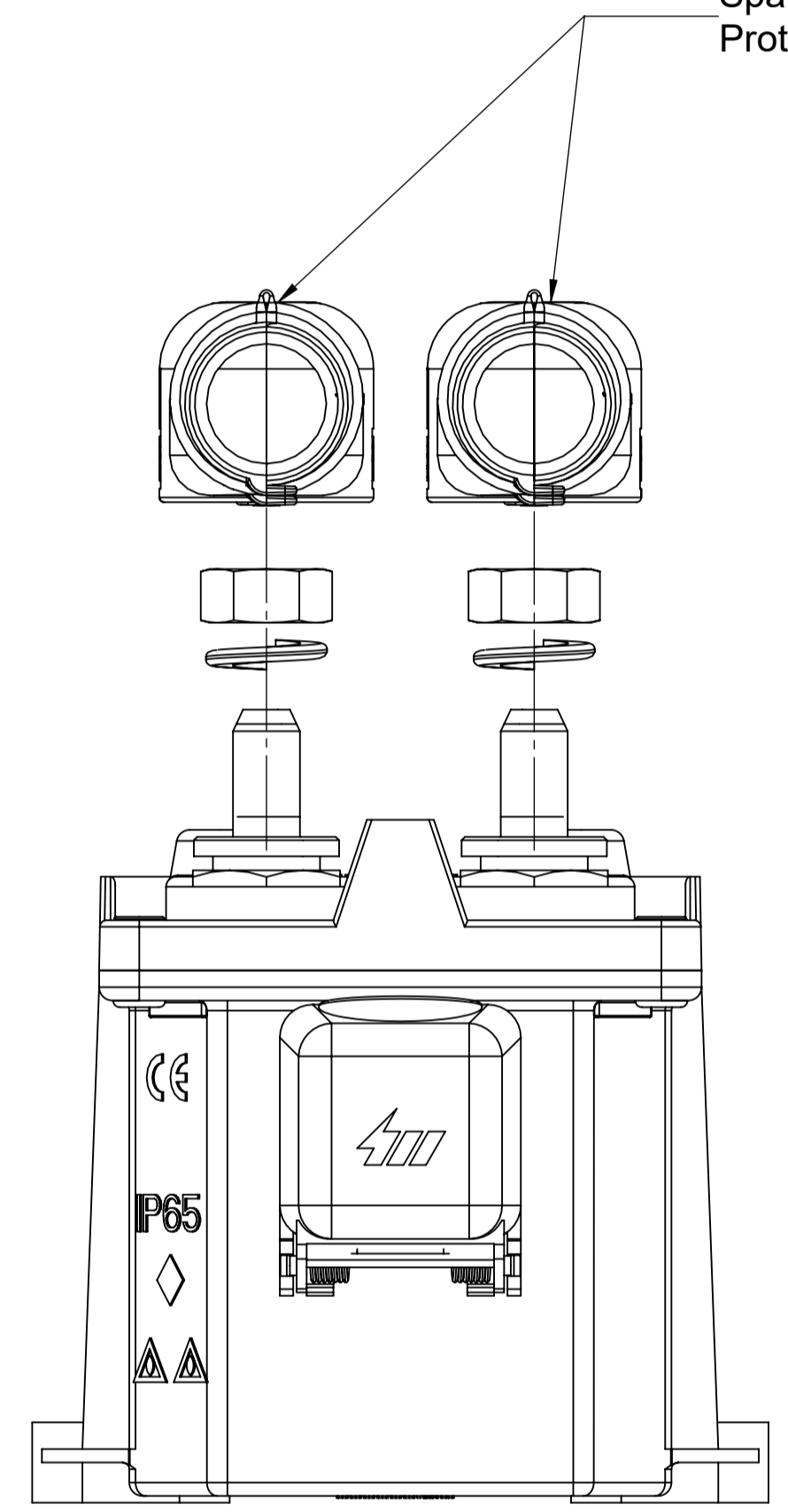
DETAIL A
SCALE 2 : 1



Spare part cod 00226200
Protection open 70mm



Screw the connector nut
with a pair of 7 ± 1 Nm

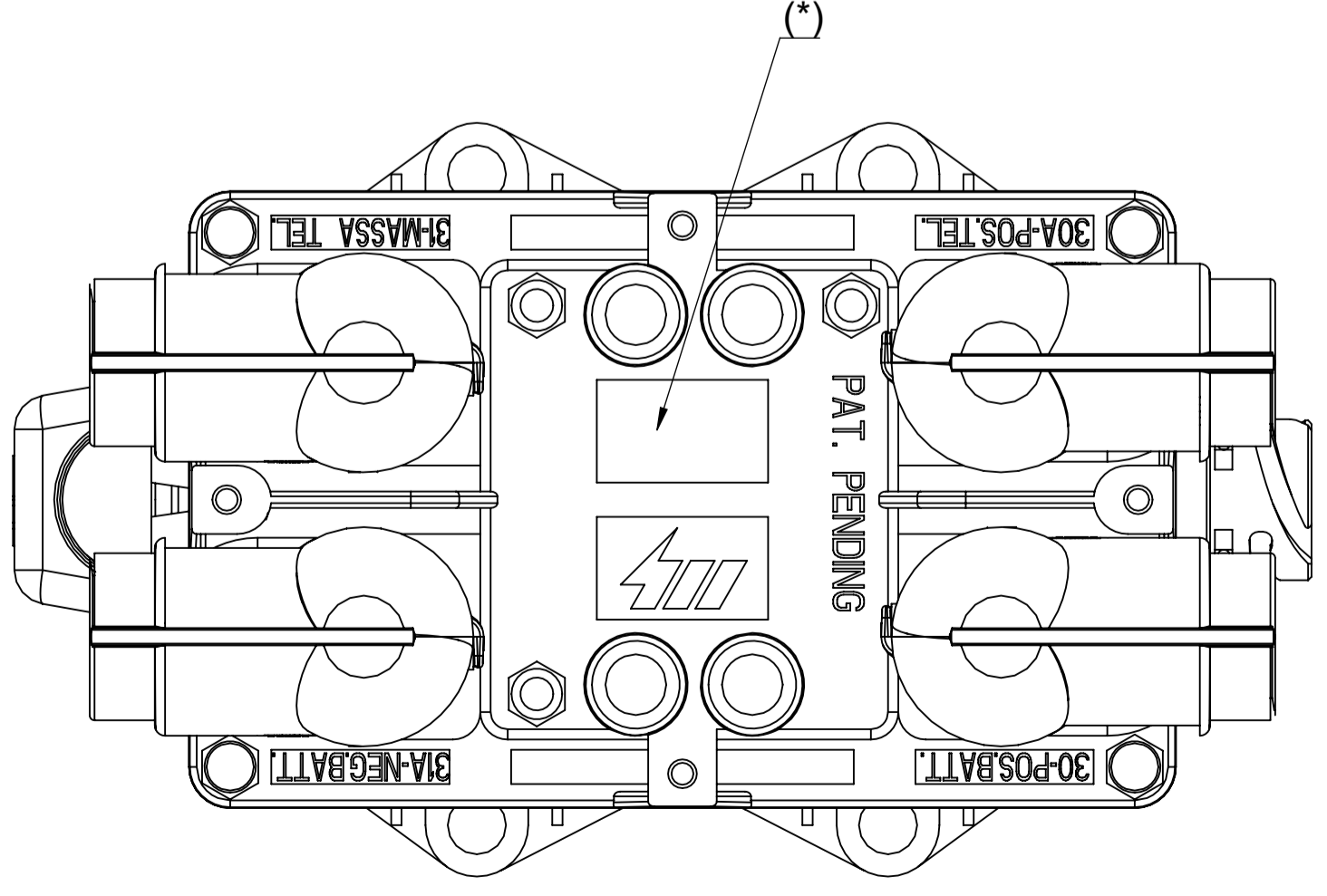


- ELECTRICAL CHARACTERISTICS**
- Nominal operating voltage: 12 ± 24 V
 - Max continuous current on contacts: 250 A at 23°C
 - Max current short duration on contacts: 2000 A at 23°C for 30 sec.

- MECHANICAL CHARACTERISTICS**
- Number of electrical and mechanical operations: 50.000
 - Locking torque nuts M10/M12: 20 Nm

- PRESCRIPTIONS**
- We suggest to fix the TGC to the structure by screws M8 UNI 5931:1984 and plane washers 8.4 x 17 UNI 6592:1969 under head
 - (*): Data of production
 - The distance between plunger bridge and fix contact must be minimum 2 mm

SAP drawing number:
Material and treatments:



DIMENSIONS AND TOLERANCES IN MILLIMETERS, DEFINED ACCORDING TO ISO 1101:2017.						
linear dimensions						
0,5	>3	>6	>30	>120	>400	>1000
±0,2	±0,3	±0,5	±0,8	±1,2	±2	±3
angle (for range of lengths)						
up to 10	>10	>50	>120	>400	>1000	>2000
±1'30"	±1'	±0'30"	±0'15"	±0'15"	±0'15"	±0'15"
FIT: FUNCTION CRITICAL CHARACTERISTICS SYMBOL						
<S> SAFETY COMPLIANCE CRITICAL CHARACTERISTICS SYMBOL						
CPK DENOTES CPK DIMENSIONS MINIMUM CPK VALUE						
(ST) DENOTES A CHARACTERISTIC THAT PROVIDES AN INDICATION OF PROCESS PERFORMANCE PROCEDURE FOR MEASUREMENT AND TRACKING TO BE DEFINED IN LITTELFUSE INSPECTION INSTRUCTIONS						
CP DENOTES CP DIMENSIONS - MINIMUM CP VALUE MUST BE WITHIN THE DIMENSIONAL LIMITATIONS SHOWN ON DRAWING AND INITIALLY LOCATED TO ALLOW FOR MAXIMUM TOOL LIFE						
DRAWN	L. De Momi	DATE	27/05/2019	 Expertise Applied Answers Delivered		
CHECKED	-	-	-			
-	-	-	-			
FORM NO.	CVP-RES-0013 REV.1	TITLE	GENERAL ELECTRICAL MAIN SWITCH	A		
FIRST ANGLE PROJECTION	SIZE: A1	REV.	01-08097460	A		
DO NOT SCALE DRAWING	SCALE 1:1	SHEET 1 OF 1				