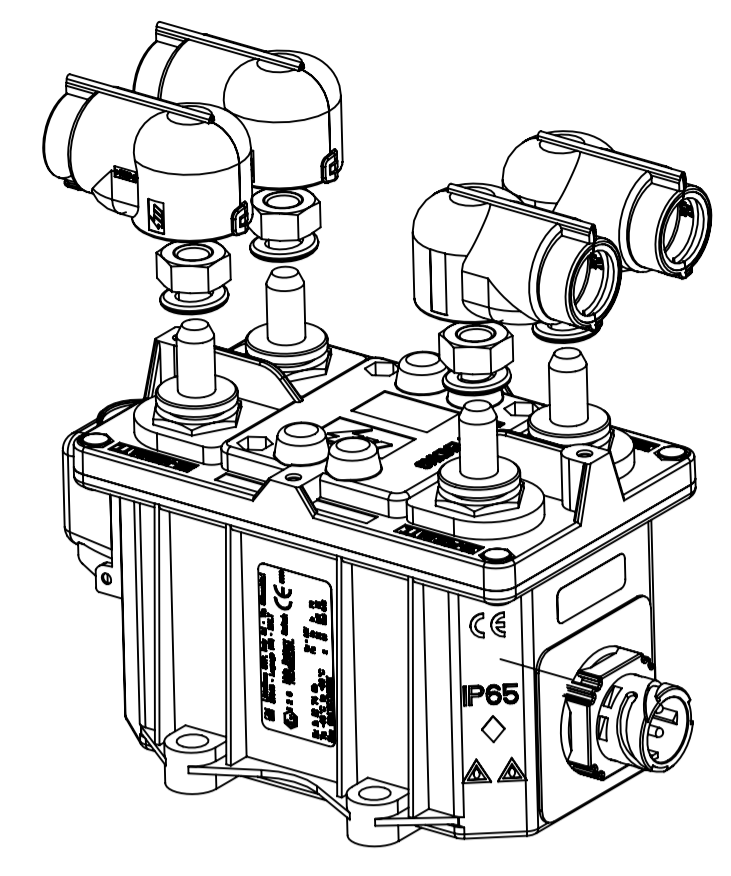
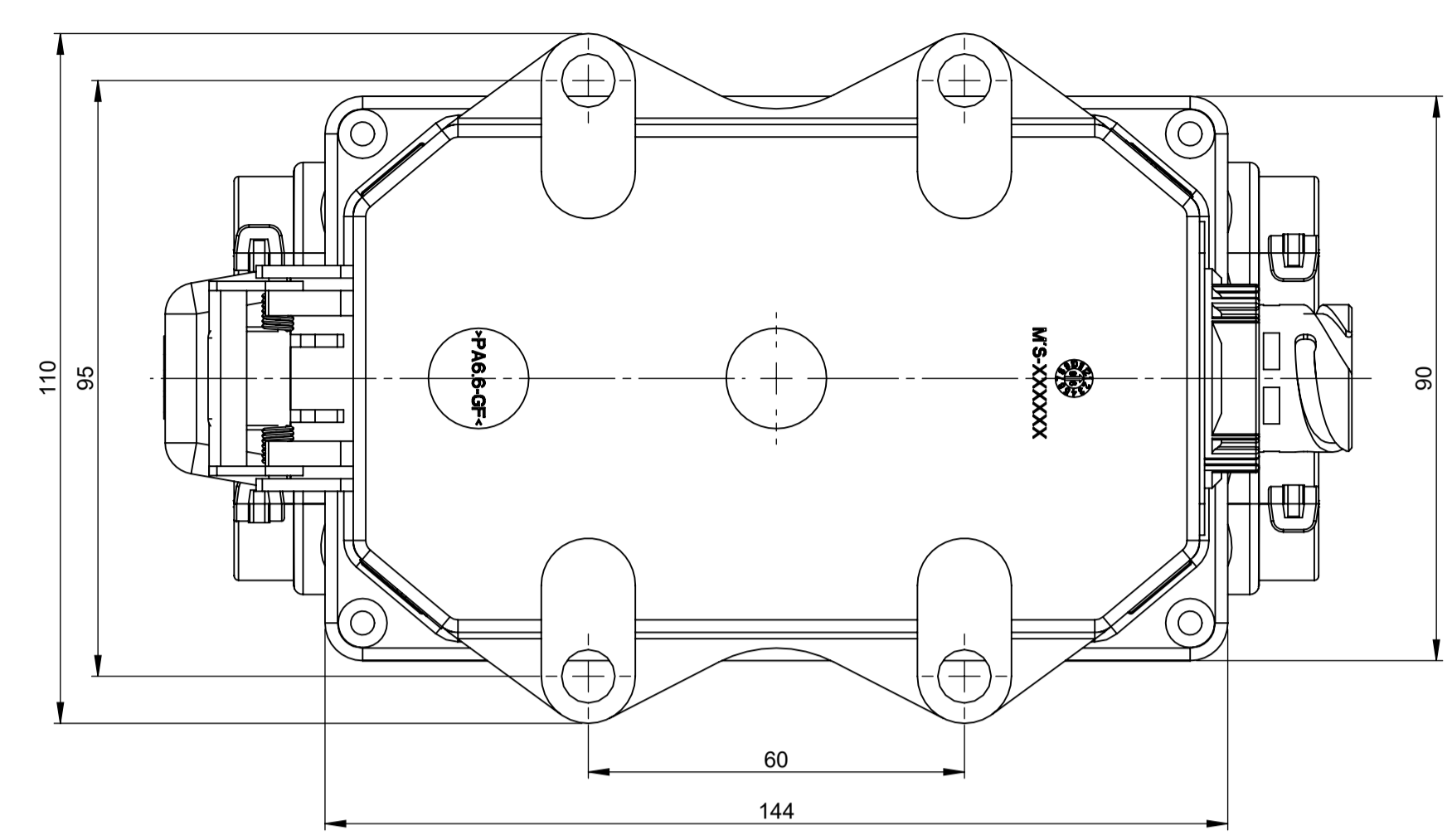
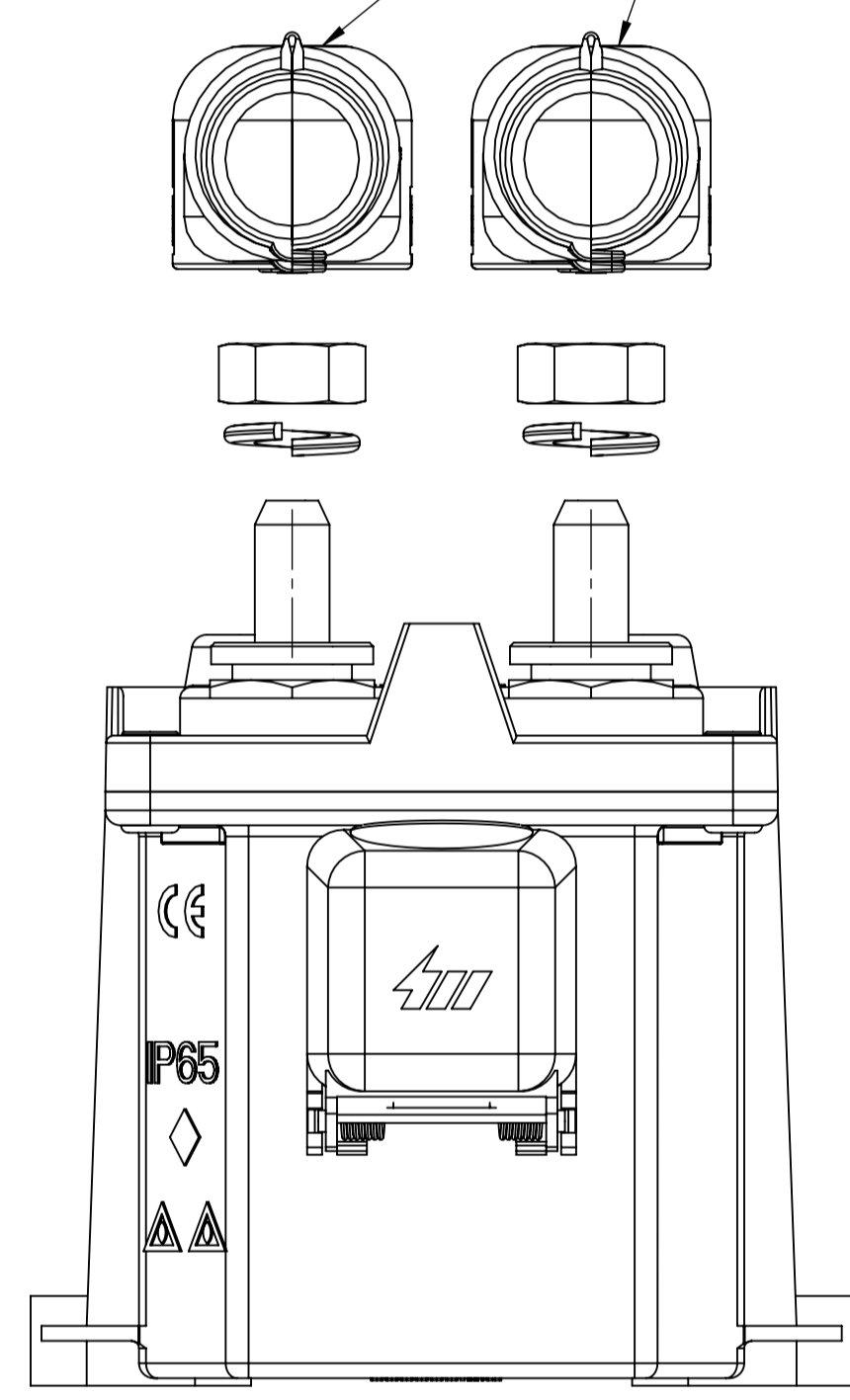
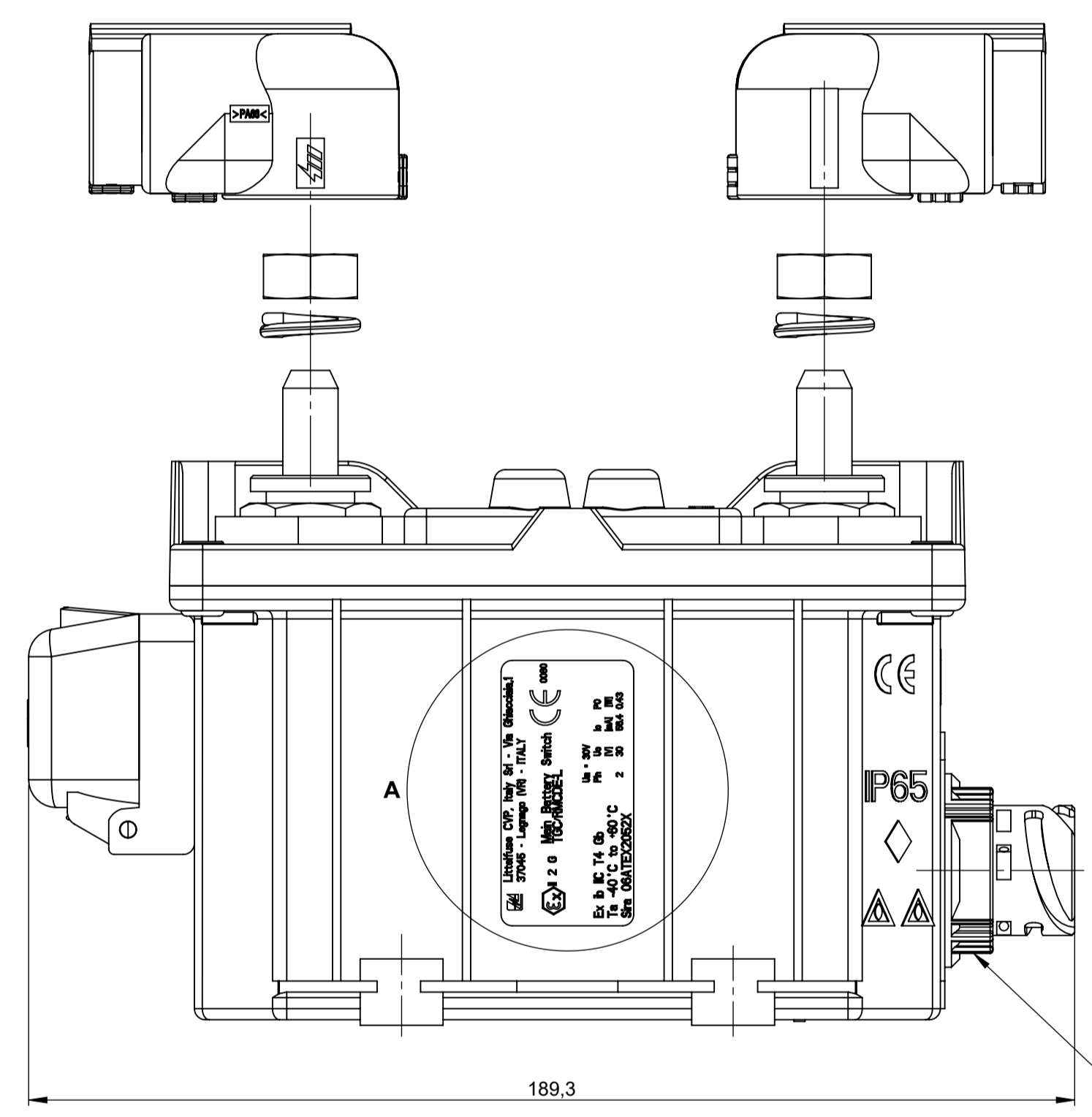
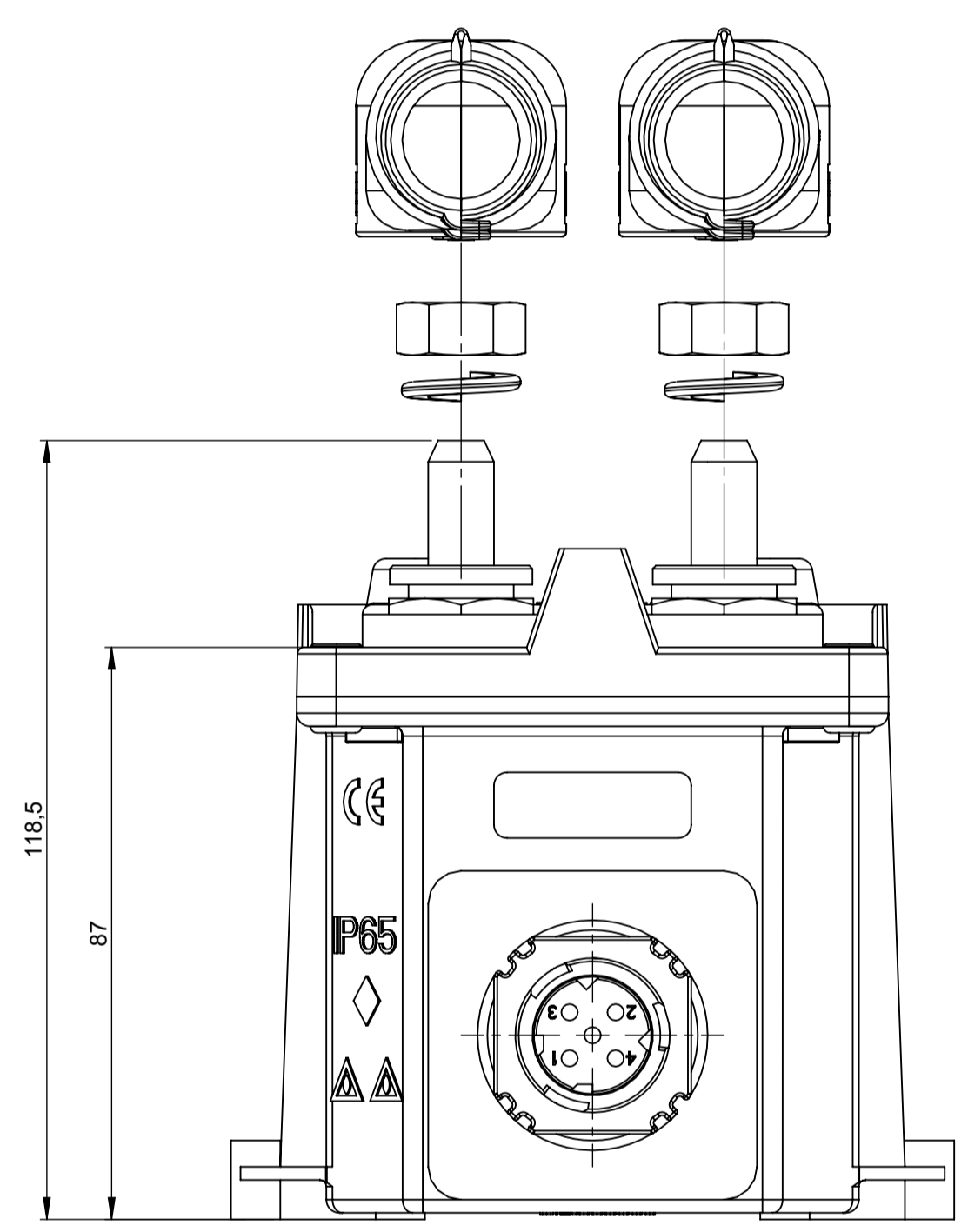


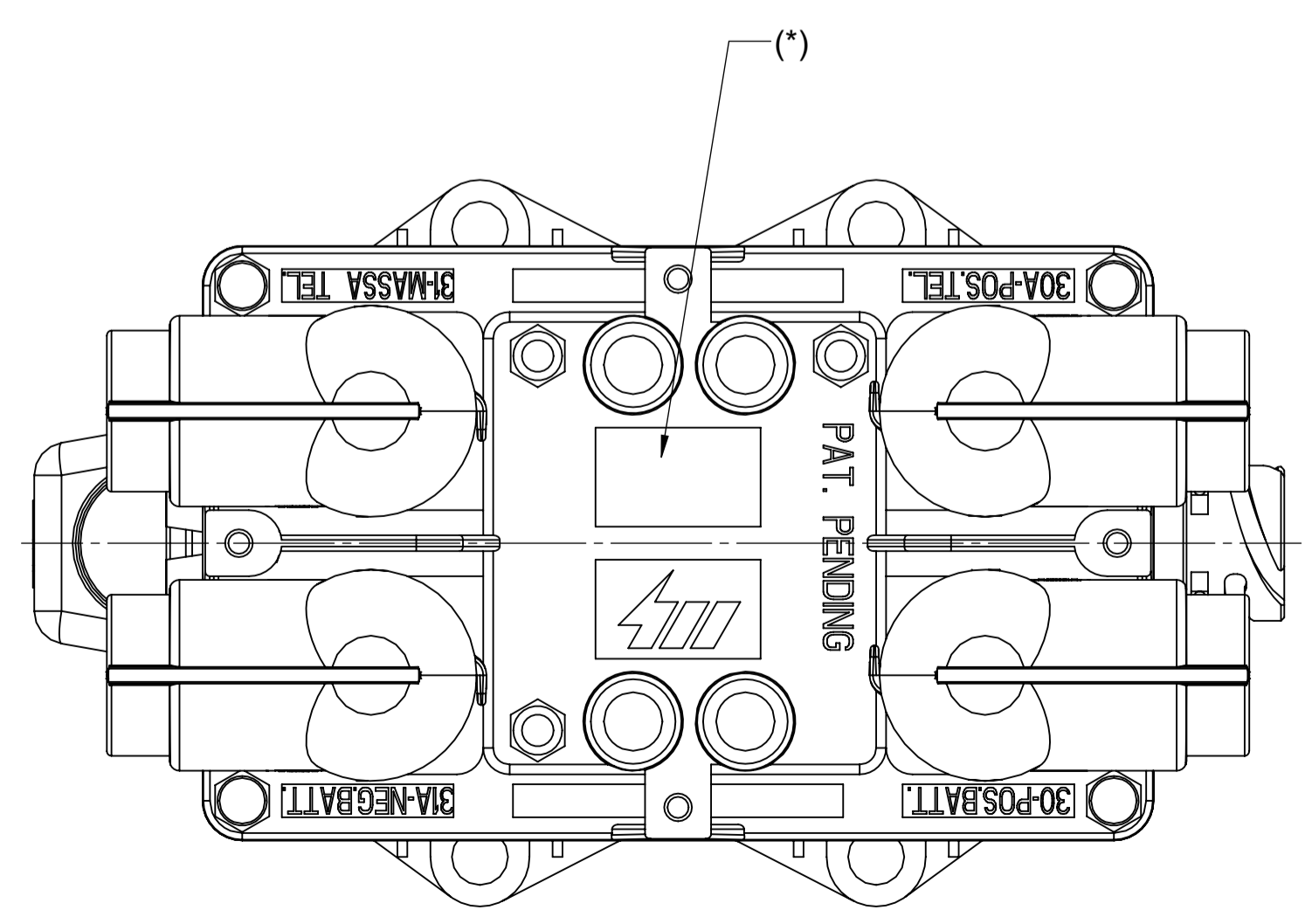
DETAIL A
SCALE 2 : 1



Spare part cod. 00226200
Protection open 70 mmq



Screw the connector nut
with a pair of 7 ± 1 Nm



ELECTRICAL CHARACTERISTICS

- Nominal operating voltage: 12 + 24 V
- Maximum continuous current on main contacts: 250 A
- Max current short duration on contacts: 2000 A at 23°C for 30sec.

MECHANICAL CHARACTERISTICS

- Number of electrical and mechanical operations: 50.000
- Locking torque nuts M10/M12: 20 Nm

PRESCRIPTION

- Maximum torque of screws M10=20 nm
- We suggest to fix the device to the structure by screws M8 UNI 5931:1984 and plane washers 8.4x17 UNI 6592:1969 under head
- (*): Data of production
- The distance between plunger bridge and fix contacts must be minimum 2mm

SAP drawing number:
Material and treatments:

DIMENSIONS AND TOLERANCES IN MILLIMETERS, DEFINED ACCORDING TO ISO 1101:2017.						
linear dimensions						
0,5	>3	>6	>30	>120	>400	>1000
±0,2	±0,3	±0,5	±0,8	±1,2	±2	±3
angle (for range of lengths)						
up to 10	>10	>50	>120	>400	>1200	>2000
±1'30"	±1'	±0'30"	±0'15"			
<p>● FIT: FUNCTION CRITICAL CHARACTERISTICS SYMBOL</p> <p><S> SAFETY COMPLIANCE CRITICAL CHARACTERISTICS SYMBOL</p> <p>CPK DENOTES CPK DIMENSIONS MINIMUM CPK VALUE</p> <p>(ST) DENOTES A CHARACTERISTIC THAT PROVIDES AN INDICATION OF PROCESS PERFORMANCE PROCEDURE FOR MEASUREMENT AND TRACKING TO BE DEFINED IN LITTELFUSE INSPECTION INSTRUCTIONS</p> <p>CP DENOTES CP DIMENSIONS. MINIMUM CP VALUE MUST BE WITHIN THE DIMENSIONAL LIMITATIONS SHOWN ON DRAWING AND INITIALLY LOCATED TO ALLOW FOR MAXIMUM TOOL LIFE</p>						
DRAWN	L. De Masi	DATE	27/05/2019	<p>Littelfuse Expertise Applied Answers Delivered</p>		
CHECKED				<p>FORM NO. COP-RES-0013 REV. A</p> <p>FIRST ANGLE PROJECTION</p> <p>SIZE: A1</p> <p>SCALE: 1:1</p>		
				<p>TITLE: GENERAL ELECTRICAL MAIN SWITCH</p> <p>TCG/RAC/DE 12V</p> <p>OL-08097360</p>		
DO NOT SCALE DRAWING				SHEET 1 OF 1		