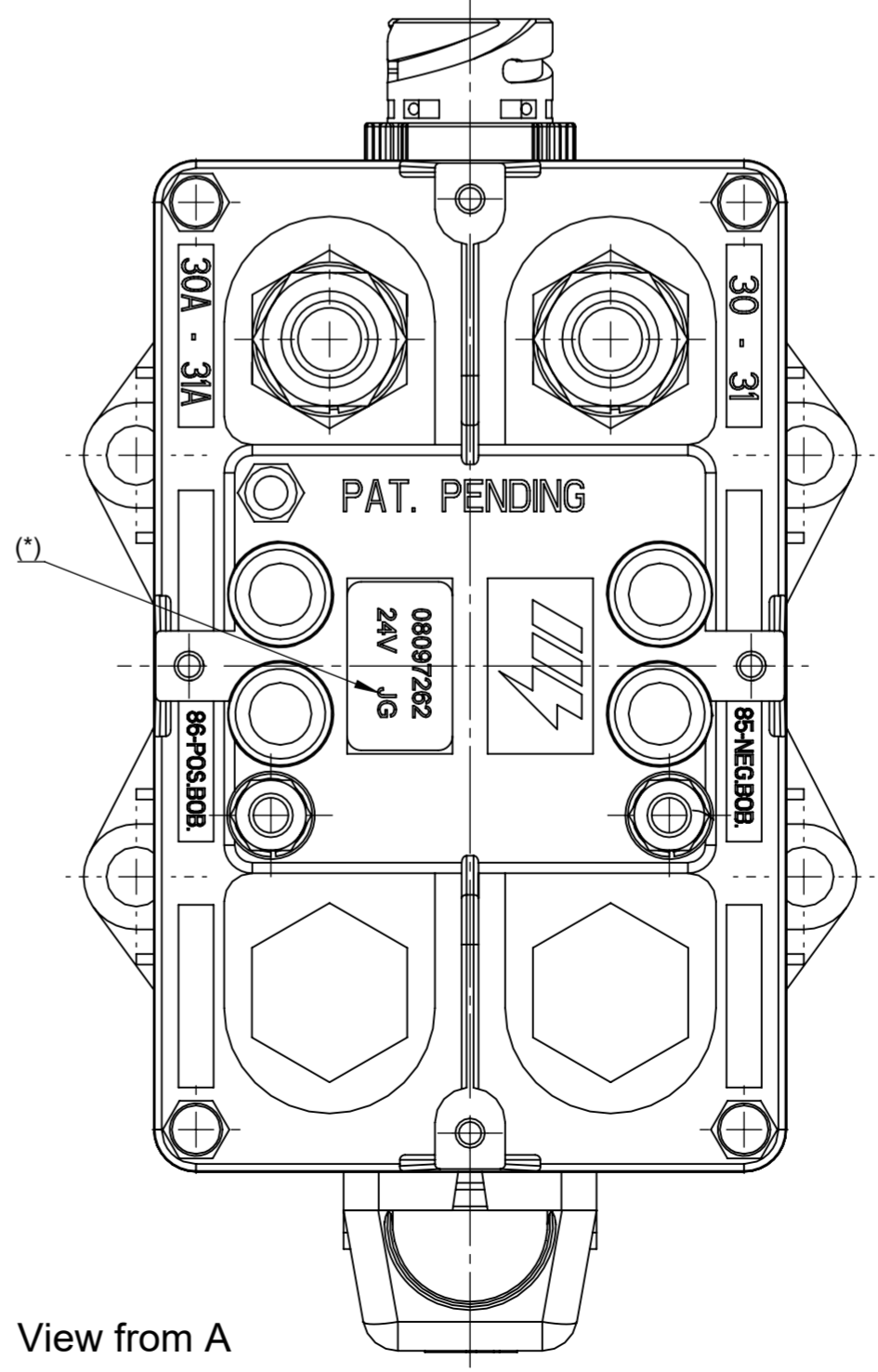
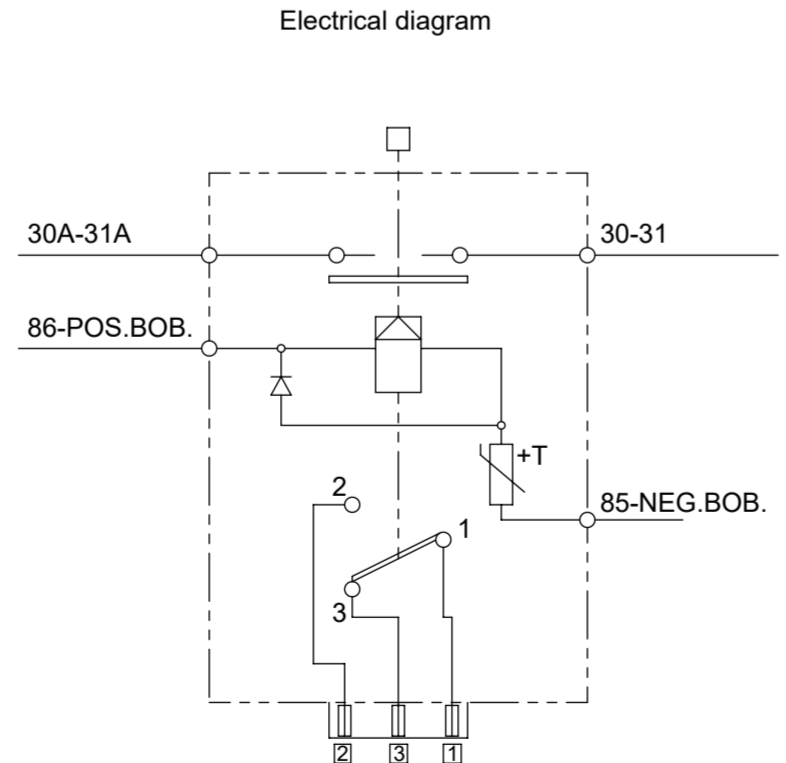
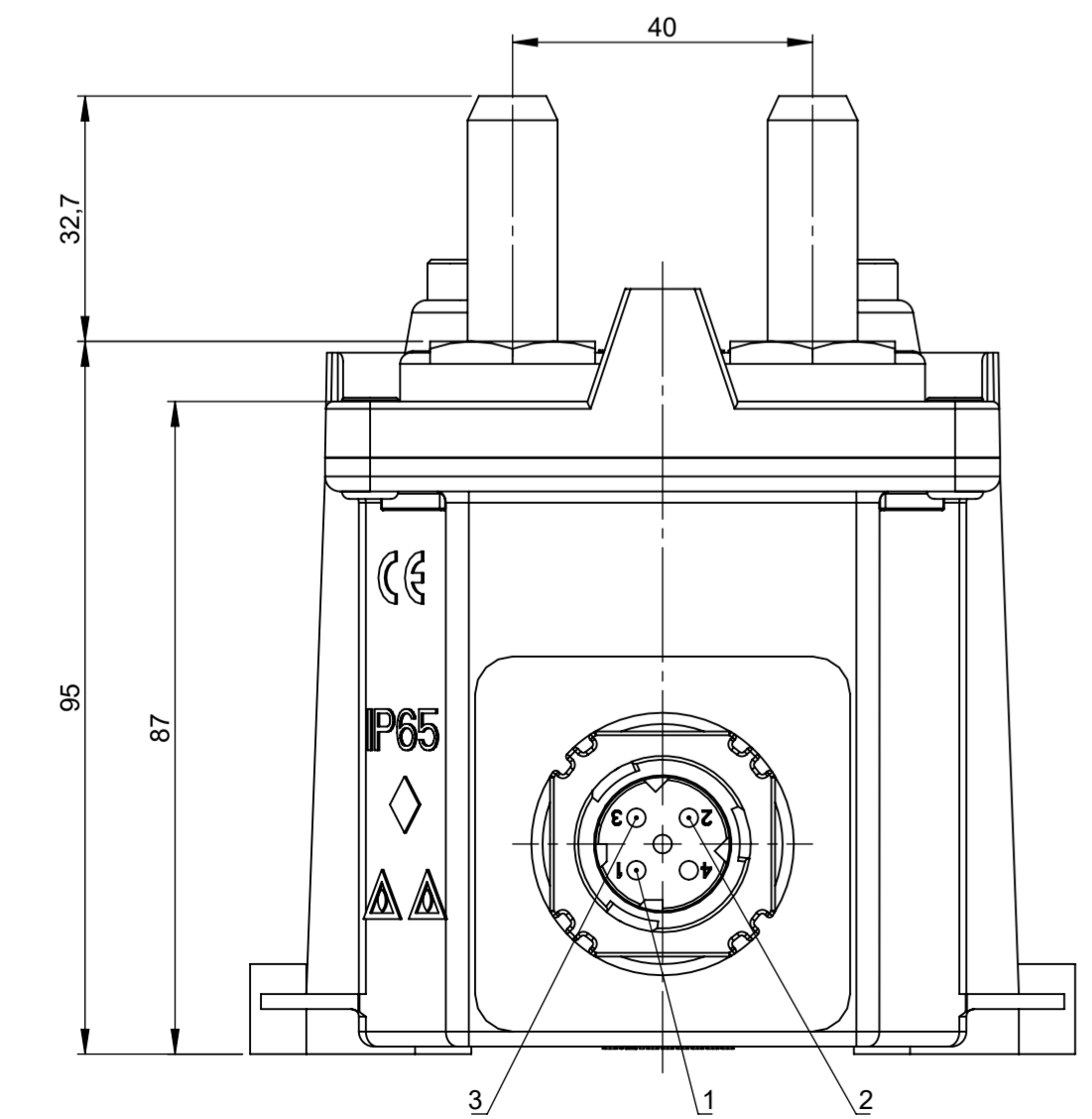
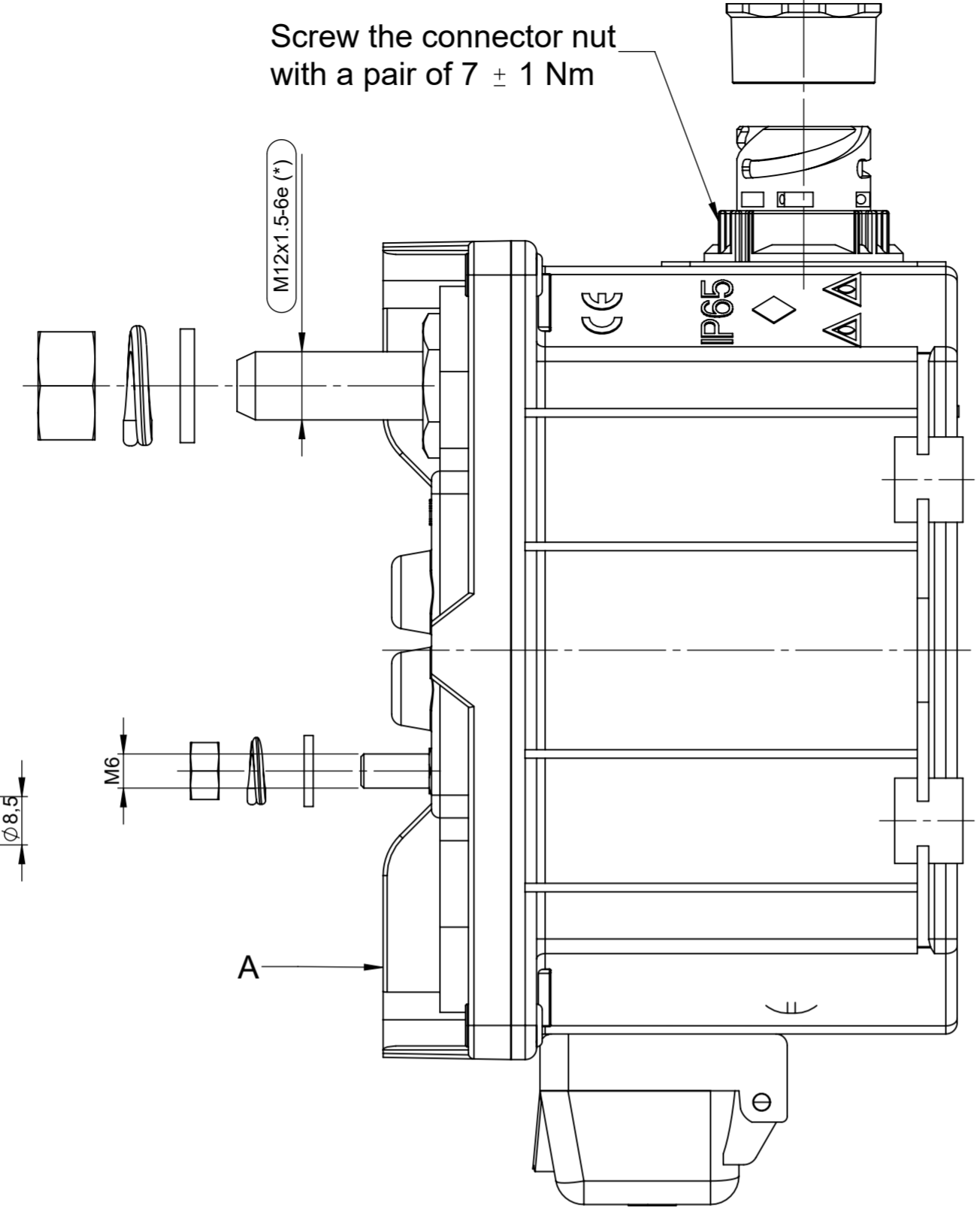
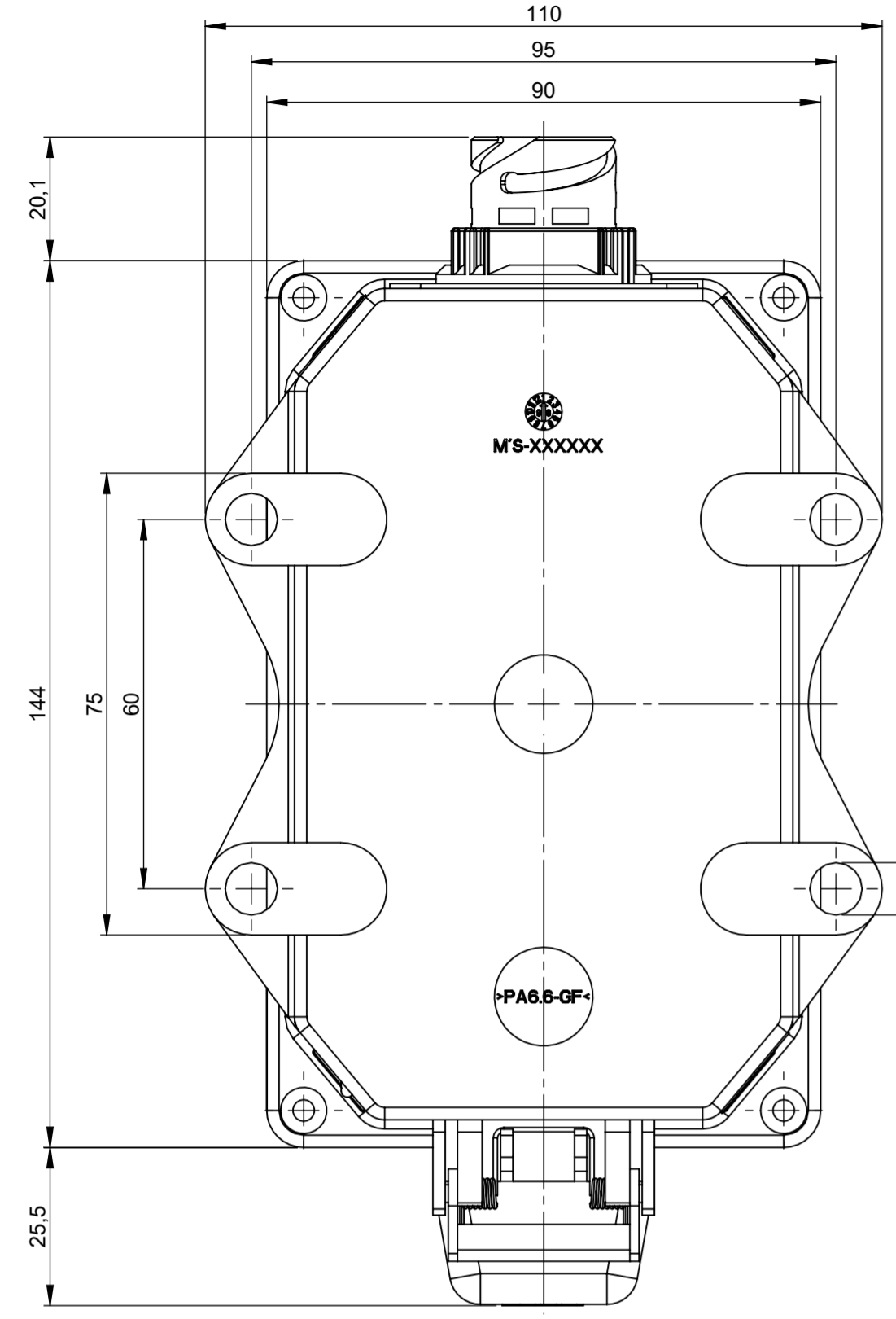


THIS DRAWING AND THE INFORMATION CONTAINED WITHIN IT ARE CONFIDENTIAL AND MAY NOT BE COPIED OR DISCLOSED WITHOUT THE WRITTEN PERMISSION OF LITTELFUSE.

| REVISIONS | | DATE | DESIGNED | APPROVED |
|-----------|--------------------------------|--------------|-----------|----------|
| REV. | DESCRIPTION | | | |
| A | FIRST ISSUE OF OUTLINE DRAWING | 08-July-2020 | Gasparini | Tinto |



- ELECTRICAL CHARACTERISTICS**
- Nominal operating voltage: 12 ± 24 V
 - Max continuous current on main contacts: 250 A
 - Max current on main contacts short duration: 2000 A for 30 sec.
- MECHANICAL CHARACTERISTICS**
- Number of electrical and mechanical operations: 100.000
 - Max locking torque nuts M12: 22 ± 1 Nm
 - Max locking torque nuts M5: 1.6 ± 0.4 Nm
- PRESCRIPTIONS**
- (*): Data of production
 - We suggest to fix the device to the structure by screws M8 UNI 5931:1984 and plane washers 8.4 x 17 UNI 6592:1969 under head

SAP drawing number:
Material and treatments:

| DIMENSIONS AND TOLERANCES IN MILLIMETERS, DEFINED ACCORDING TO ISO 1101-2017. | |
|---|--------------------------------|
| linear dimensions | |
| 0,5 3 | >3 6 |
| ±0,2 | ±0,3 |
| >6 30 | >30 120 |
| ±0,5 | ±0,8 |
| >120 400 | >400 1000 |
| ±1,2 | ±2 |
| >1000 2000 | >120 400 |
| ±3 | ±0*30' |
| angle (for range of lengths) | |
| up to 10 | >10 50 |
| ±1*30' | ±1* |
| >50 120 | >120 400 |
| ±0*30' | ±0*15' |
| <p>● FIT/ FUNCTION CRITICAL CHARACTERISTICS SYMBOL</p> <p><S> SAFETY/ COMPLIANCE CRITICAL CHARACTERISTICS SYMBOL</p> <p>CPK DENOTES CPK DIMENSIONS MINIMUM CPK VALUE</p> <p>ST DENOTES A CHARACTERISTIC THAT PROVIDES AN INDICATION OF PROCESS PERFORMANCE. PROCEDURE FOR MEASUREMENT AND TRACKING TO BE DEFINED IN LITTELFUSE INSPECTION INSTRUCTIONS</p> <p>CP DENOTES CP DIMENSIONS. MINIMUM CP VALUE MUST BE WITHIN THE DIMENSIONAL LIMITATIONS SHOWN ON DRAWING AND INITIALLY LOCATED TO ALLOW FOR MAXIMUM TOOL LIFE</p> | |
| NAME | DATE |
| DRAWN L. Dal Molin | 27/05/2019 |
| CHECKED - | - |
| Littelfuse Expertise Applied Answers Delivered | |
| FORM NO. CVP-PE40-0013 REV A | TITLE |
| FIRST ANGLE PROJECTION | GENERAL ELECTRICAL MAIN SWITCH |
| SIZE: A2 | IGC/RMSM 24V SEP(+0-) |
| SCALE 1:1 | OL-08097262 |
| DO NOT SCALE DRAWING | SHEET 1 OF 1 |