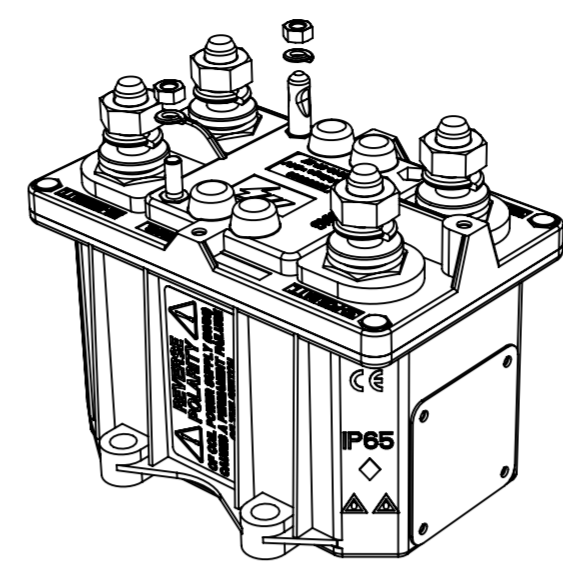
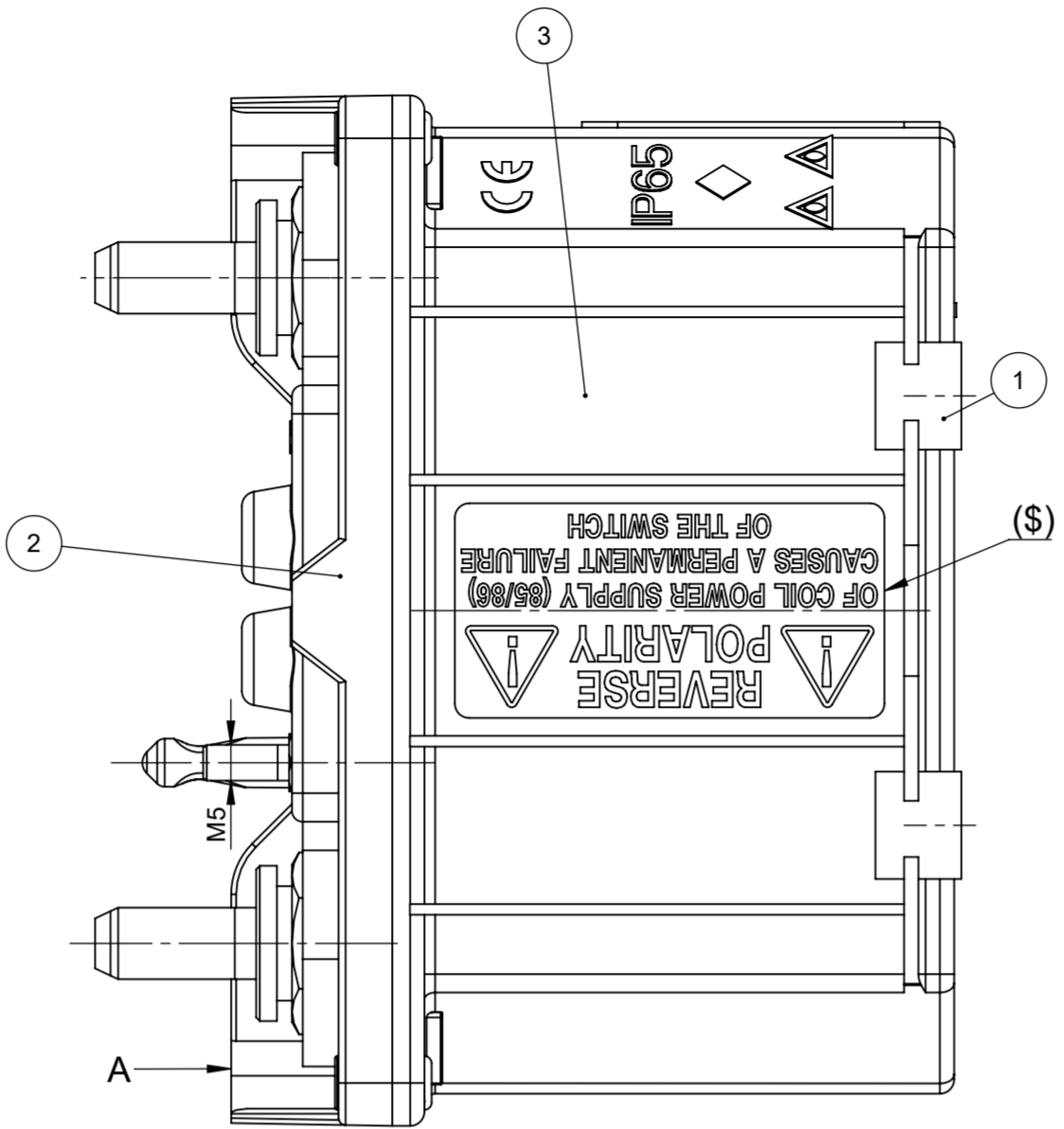
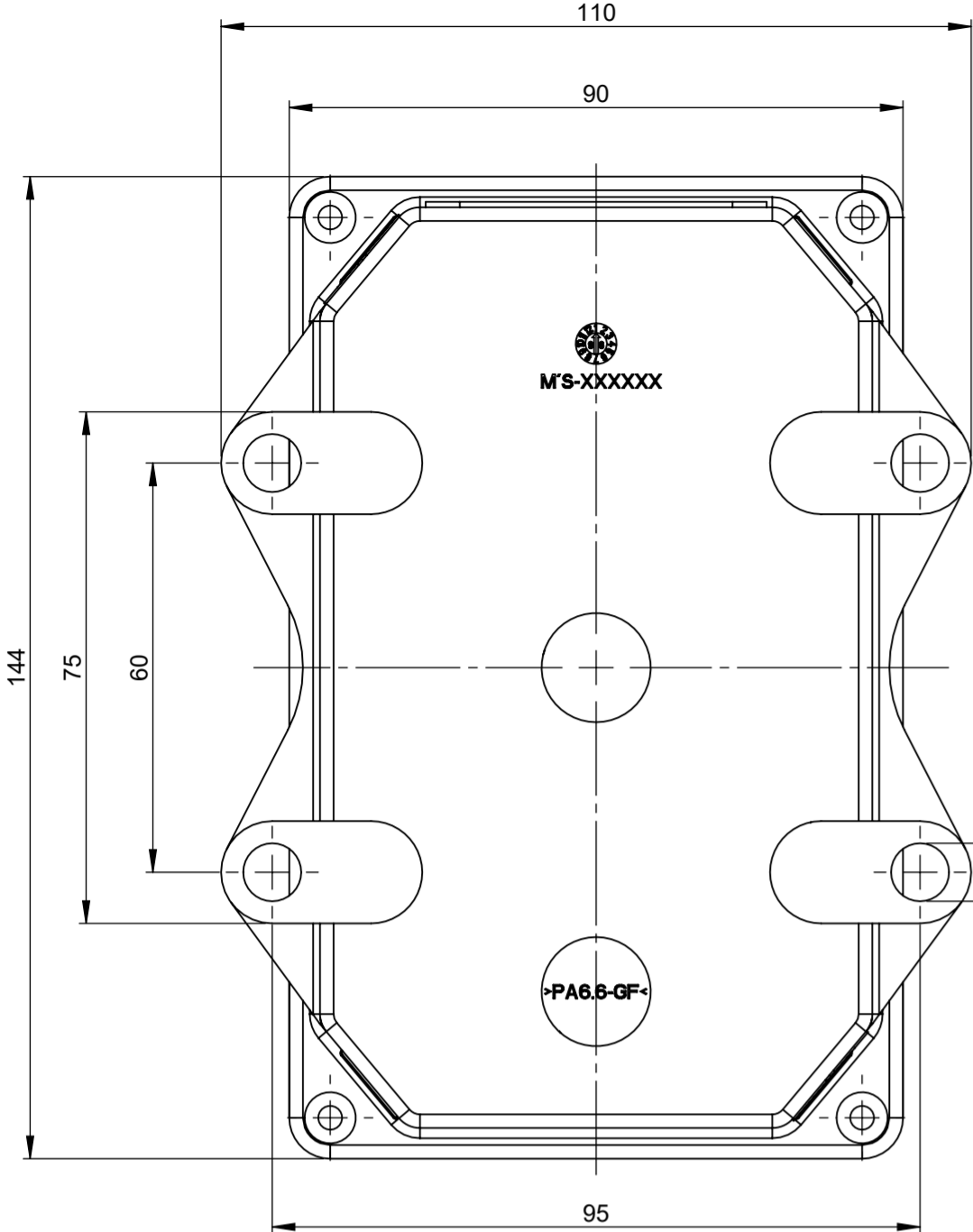


THIS DRAWING AND THE INFORMATION CONTAINED WITHIN IT ARE CONFIDENTIAL AND MAY NOT BE COPIED OR DISCLOSED WITHOUT THE WRITTEN PERMISSION OF LITTELFUSE.

REVISIONS		DATE	DESIGNED	APPROVED
REV. A	FIRST ISSUE OF OUTLINE DRAWING	06-July-2020	Gasparini	Tinto



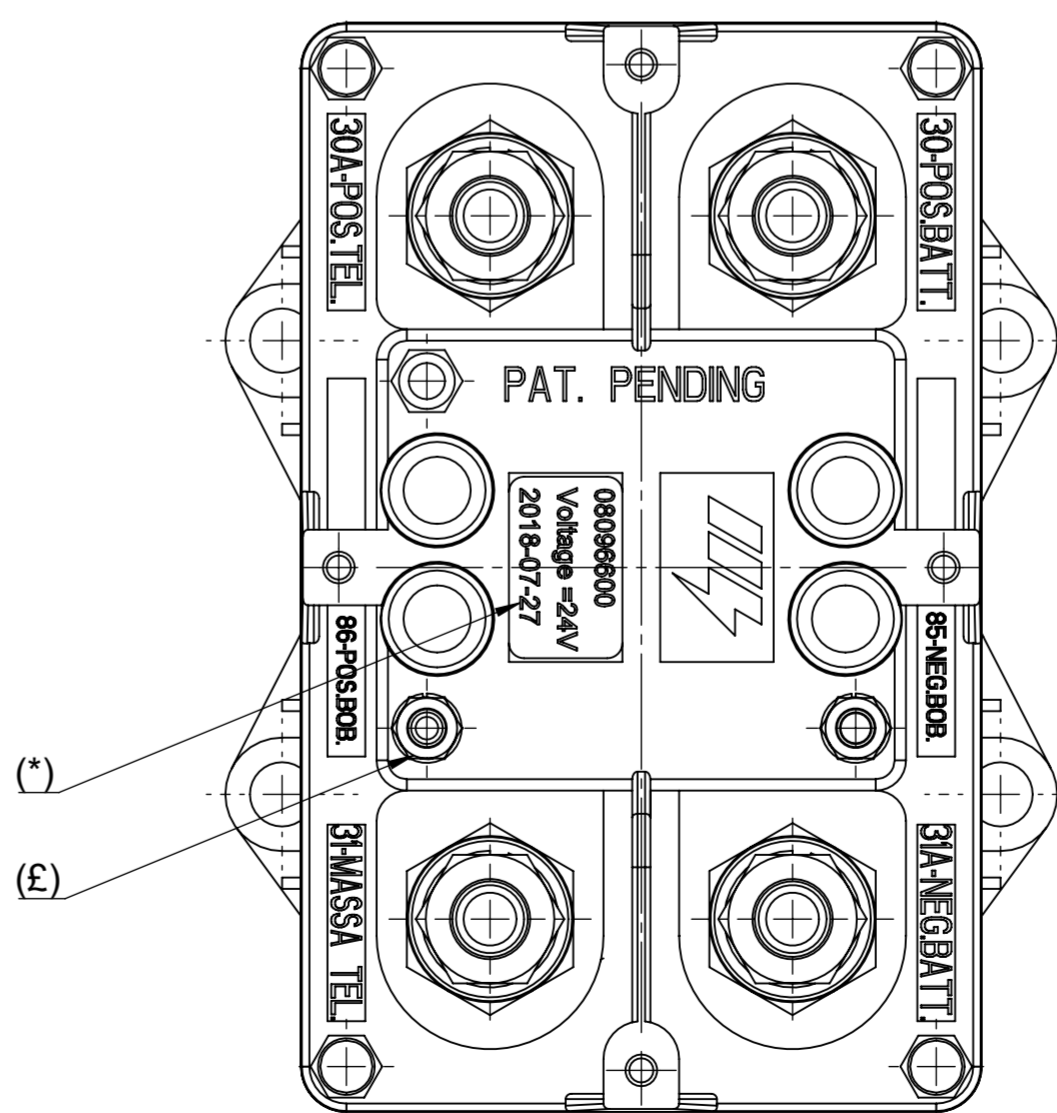
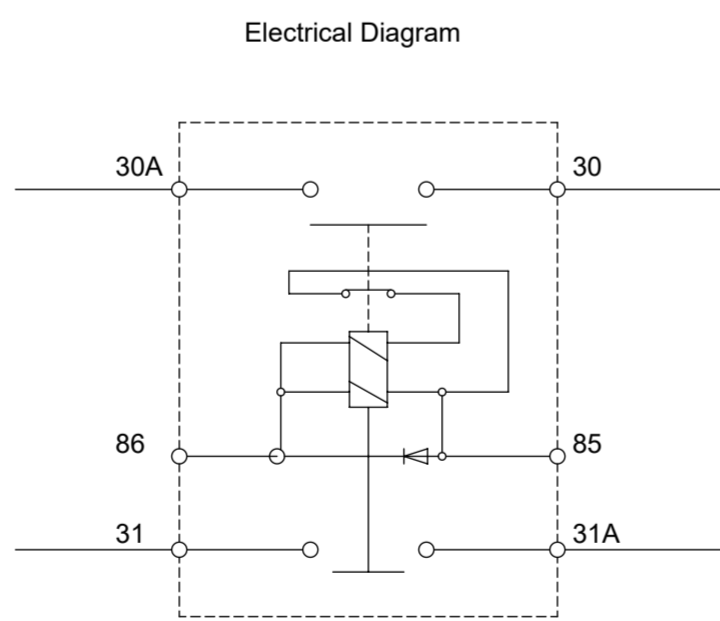
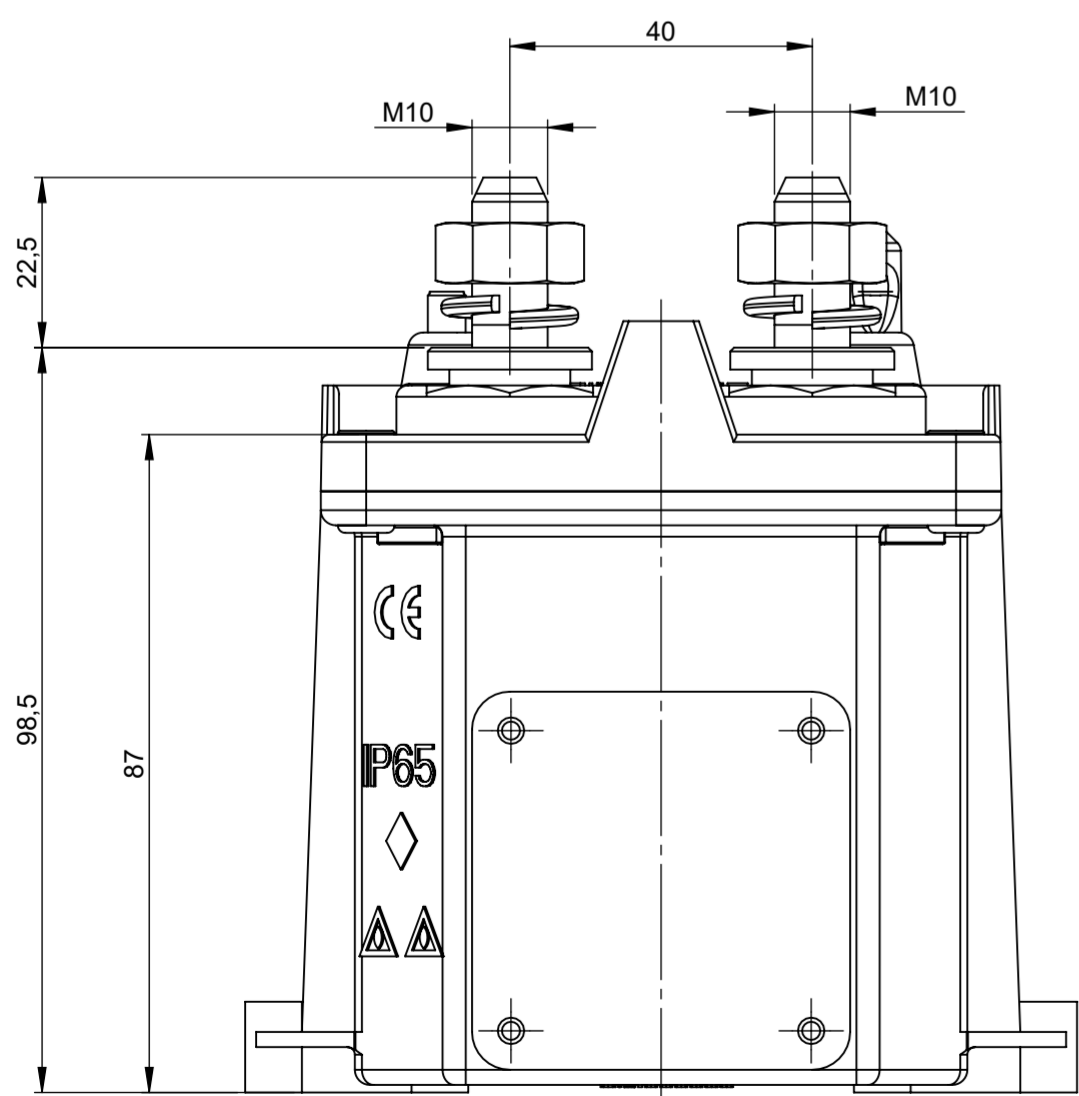
**MECHANICAL CHARACTERISTICS**  
 - Number of electrical and mechanical operations: 100.000  
 - Tightening torque nuts M10/M12: 20 Nm  
 - Tightening torque nuts M5/M: 2 Nm

**ELECTRICAL CHARACTERISTICS**  
 - Nominal voltage range: 12 - 24 V  
 - Maximum continuous current on main contacts: 250 A at 23°C  
 - Maximum short time current on main contact: 2000 A for 30 sec. at 23°C

**PRESCRIPTIONS**  
 - (\*): Manufacturing date  
 - (\$): Label to be placed either on a box side or on the opposite side  
 - (£): Cap for identification of M5 pin pos. coil, to be removed during the TGC installation phase on the vehicle

**LEGEND**  
 1) Box  
 2) Top cover  
 3) Electrical BDS

SAP drawing number:  
 Material and treatments:



View from A

DIMENSIONS AND TOLERANCES IN MILLIMETERS, DEFINED ACCORDING TO ISO 1101-2017.						
<b>linear dimensions</b>						
0,5 3	>3 6	>6 30	>30 120	>120 400	>400 1000	>1000 2000
±0,2	±0,3	±0,5	±0,8	±1,2	±2	±3
<b>angle (for range of lengths)</b>						
up to 10	>10 50	>50 120	>120 400	>400 1000	>1000 2000	
±1°30'	±1°	±0°30'	±0°15'			
● FIT/ FUNCTION CRITICAL CHARACTERISTICS SYMBOL <S> SAFETY/ COMPLIANCE CRITICAL CHARACTERISTICS SYMBOL CPK DENOTES CPK DIMENSIONS MINIMUM CPK VALUE (ST) DENOTES A CHARACTERISTIC THAT PROVIDES AN INDICATION OF PROCESS PERFORMANCE.PROCEDURE FOR MEASUREMENT AND TRACKING TO BE DEFINED IN LITTELFUSE INSPECTION INSTRUCTIONS CP DENOTES CP DIMENSIONS. MINIMUM CP VALUE MUST BE WITHIN THE DIMENSIONAL LIMITATIONS SHOWN ON DRAWING AND INITIALLY LOCATED TO ALLOW FOR MAXIMUM TOOL LIFE						
NAME	DATE	 <b>Expertise Applied   Answers Delivered</b>				
DRAWN	L. Dal Molin 24/05/2019					
CHECKED	-					
DATE	-					
FORM NO. CVP-PE40-0013 REV A	TITLE	GENERAL ELECTRICAL MAIN SWITCH				
FIRST ANGLE PROJECTION	TGC/SC 24V					
SIZE: A2	DWG. NO. OL-08096600	OUTLINE REV. A				
DO NOT SCALE DRAWING	SCALE 1:1	SHEET 1 OF 1				