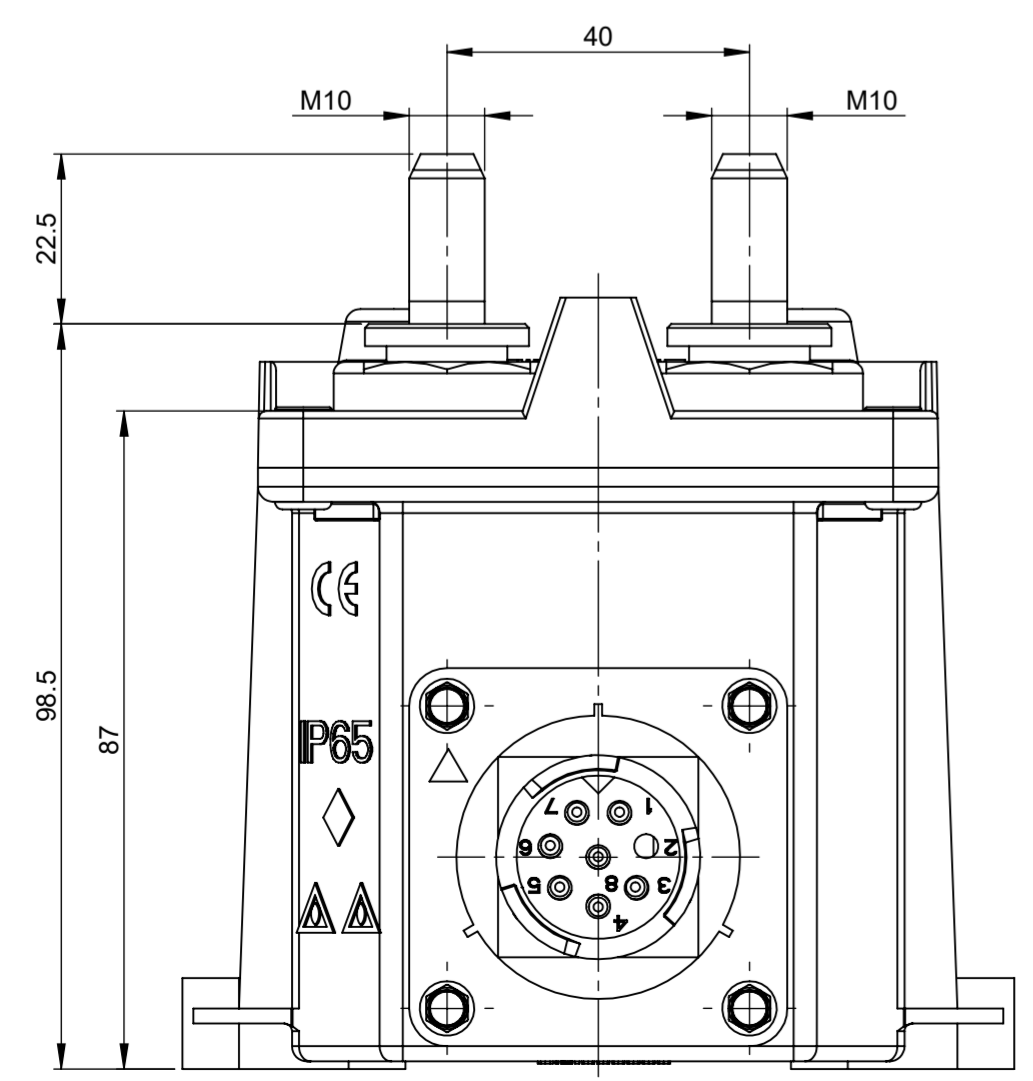
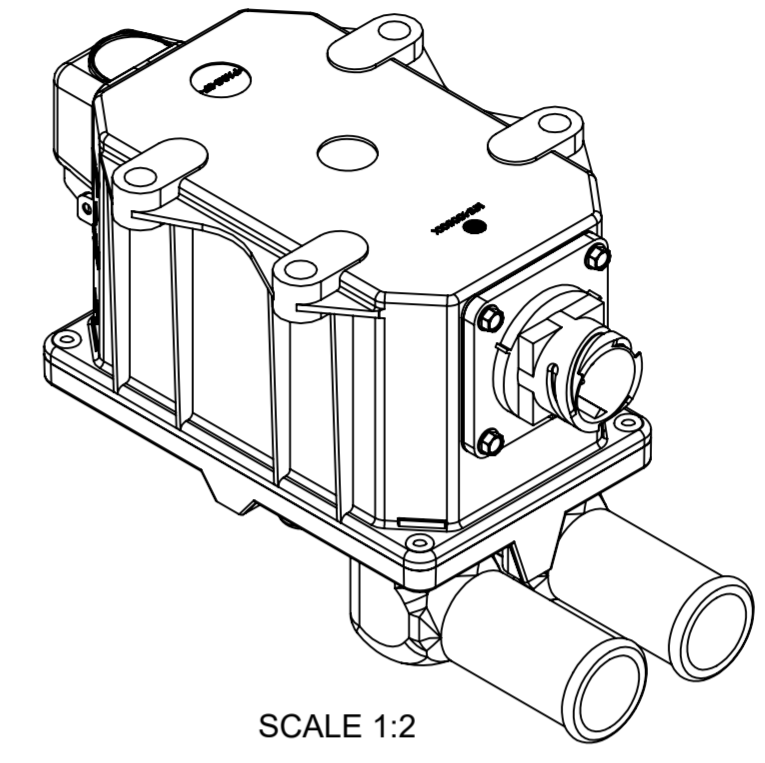
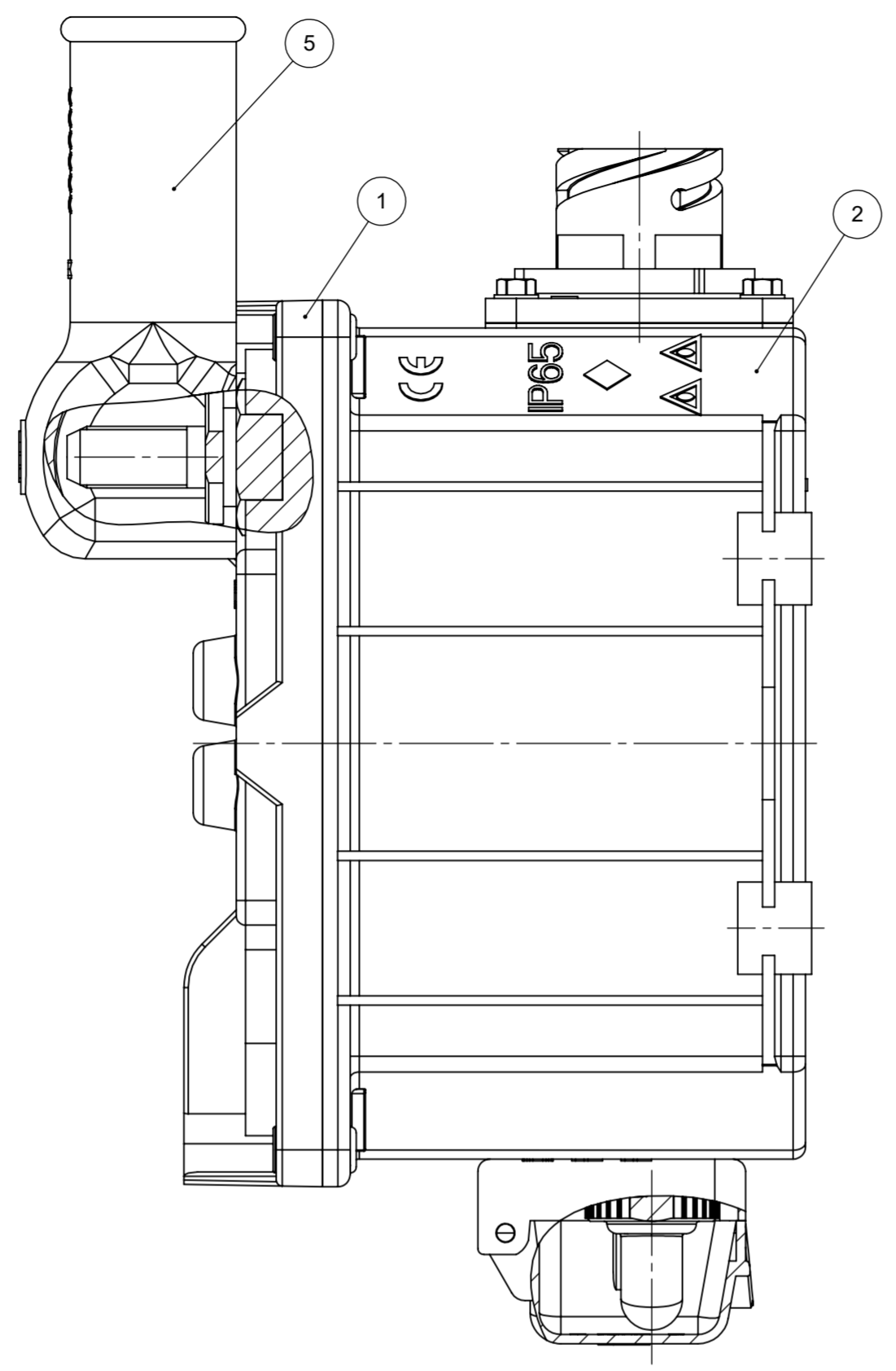
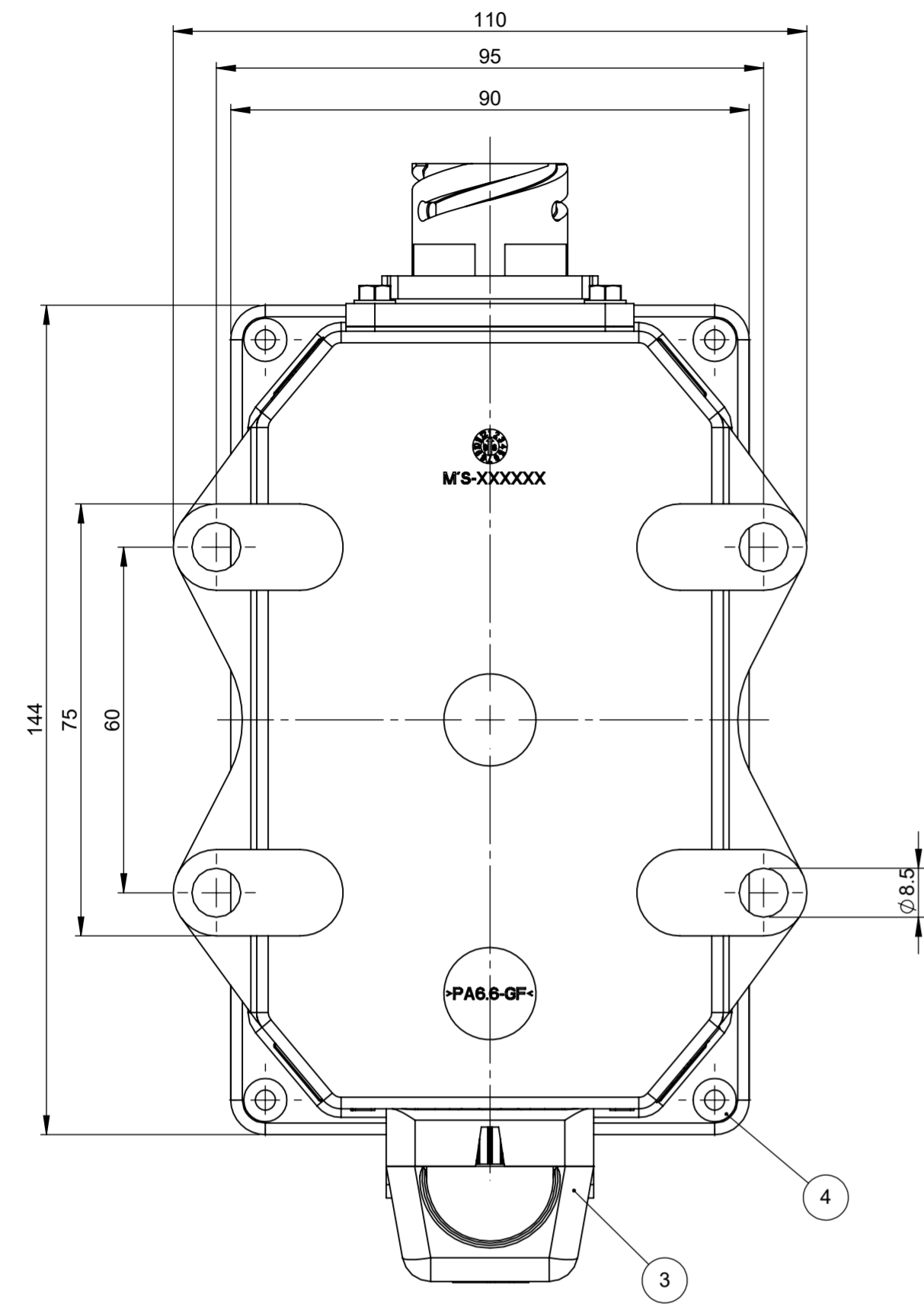


THIS DRAWING AND THE INFORMATION CONTAINED WITHIN IT ARE CONFIDENTIAL AND MAY NOT BE COPIED OR DISCLOSED WITHOUT THE WRITTEN PERMISSION OF LITTELFUSE.

REVISIONS				
REV.	DESCRIPTION	DATE	DESIGNED	APPROVED
A	First issue of outline drawing	21-Jul-20	L.Dal Molin	M.Tinto



POS.	P/N	DESCRIPTION	MATERIAL	Q.TY	U/M
5		Protection cap for battery cables	Rubber	2	EA
4		Rivet 5X14	Steel	4	EA
3		Protection emergency	PA6/PT	1	EA
2		Box complete		1	EA
1		Top cover complete		1	EA

ELECTRICAL CHARACTERISTICS
 - Nominal voltage range: 12 + 24 V
 - Maximum continuous current: 250 A at 23°C
 - Maximum short time current: 2000 A at 65°C for 30sec.

MECHANICAL CHARACTERISTICS
 - Number of electrical and mechanical operations: 100.000
 - Tightening torque nuts M10/M12: 20 Nm

PRESCRIPTIONS
 - (*): Manufacturing date according to Littelfuse Standard

SAP drawing number:
 Material and treatments:

DIMENSIONS AND TOLERANCES IN MILLIMETERS, DEFINED ACCORDING TO ISO 1101-2017.						
linear dimensions						
0,5	>3	>6	>30	>120	>400	>1000
3	6	120	400	1000	2000	
±0,2	±0,3	±0,5	±0,8	±1,2	±2	±3
angle (for range of lengths)						
up to	>10	>50	>120	>400	>1200	>2000
10	50	120	400	1000	2000	
±1°30'	±1°	±0°30'	±0°15'			
●	FIT/ FUNCTION CRITICAL CHARACTERISTICS SYMBOL					
<S>	SAFETY/ COMPLIANCE CRITICAL CHARACTERISTICS SYMBOL					
CPK	DENOTES CPK DIMENSIONS MINIMUM CPK VALUE					
ST	DENOTES A CHARACTERISTIC THAT PROVIDES AN INDICATION OF PROCESS PERFORMANCE. PROCEDURE FOR MEASUREMENT AND TRACKING TO BE DEFINED IN LITTELFUSE INSPECTION INSTRUCTIONS					
CP	DENOTES CP DIMENSIONS. MINIMUM CP VALUE MUST BE WITHIN THE DIMENSIONAL LIMITATIONS SHOWN ON DRAWING AND INITIALLY LOCATED TO ALLOW FOR MAXIMUM TOOL LIFE					
NAME	DATE					
DRAWN	L. Dal Molin	21-Jul-20				
CHECKED	-	-				
FORM NO. CVP-PE40-0013 REV A		TITLE				
FIRST ANGLE PROJECTION		GENERAL ELECTRICAL MAIN SWITCH				
SIZE: A2		IGC/E 24V NEGATIVE				
DO NOT SCALE DRAWING		SCALE 1:1				
		SHEET 1 OF 1				

