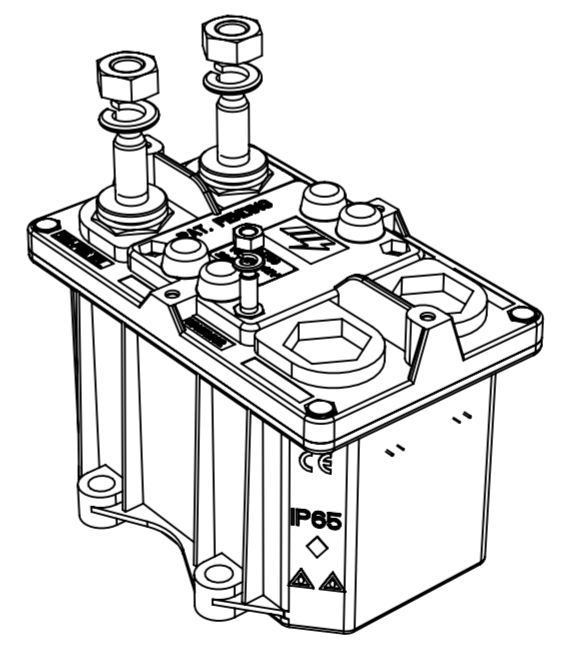
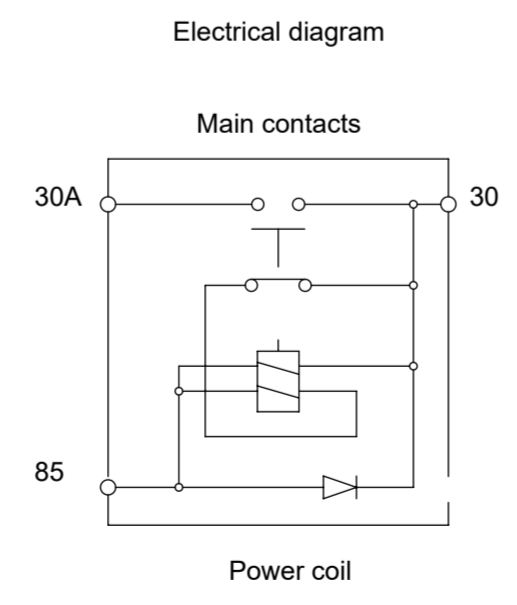
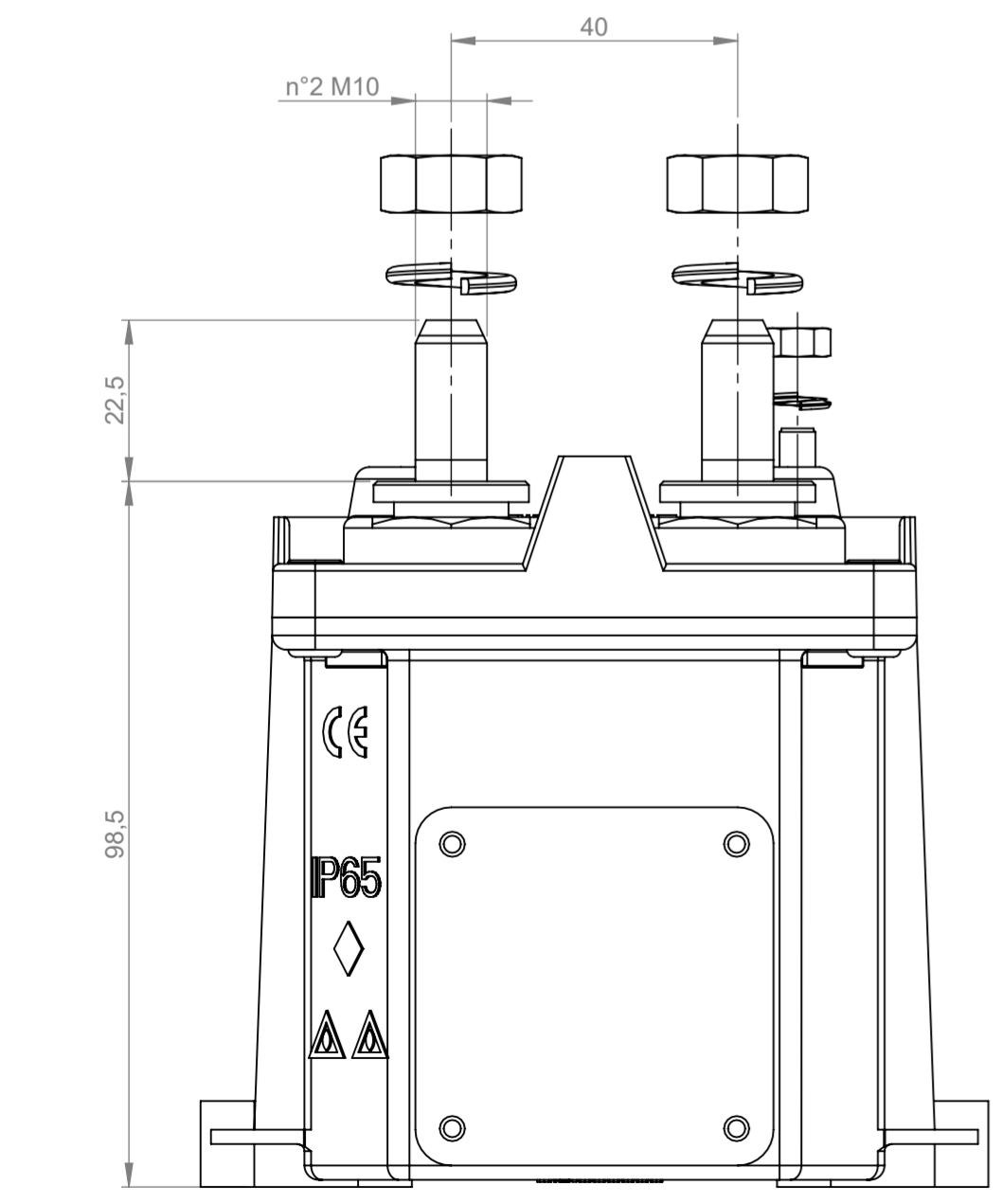
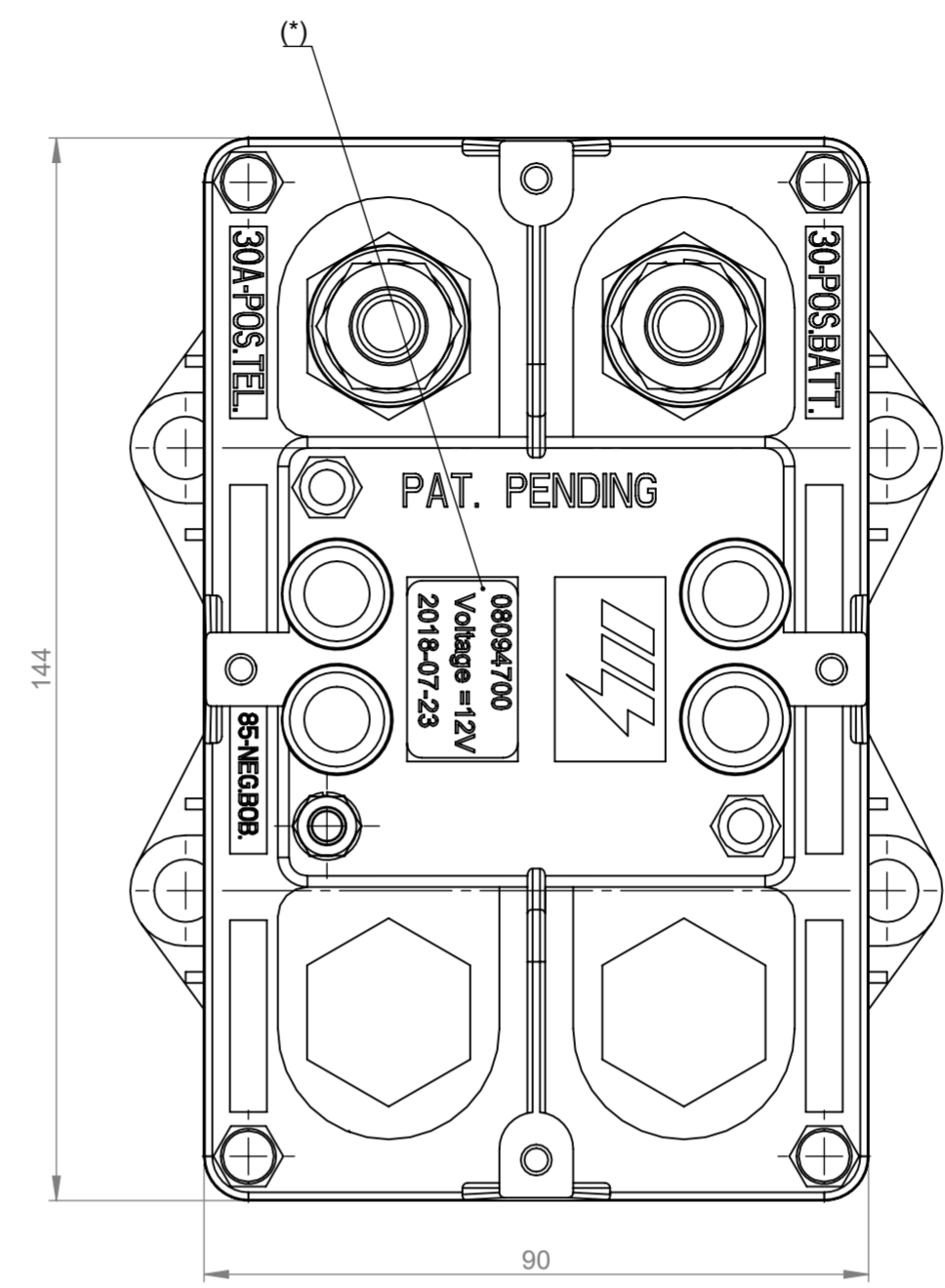
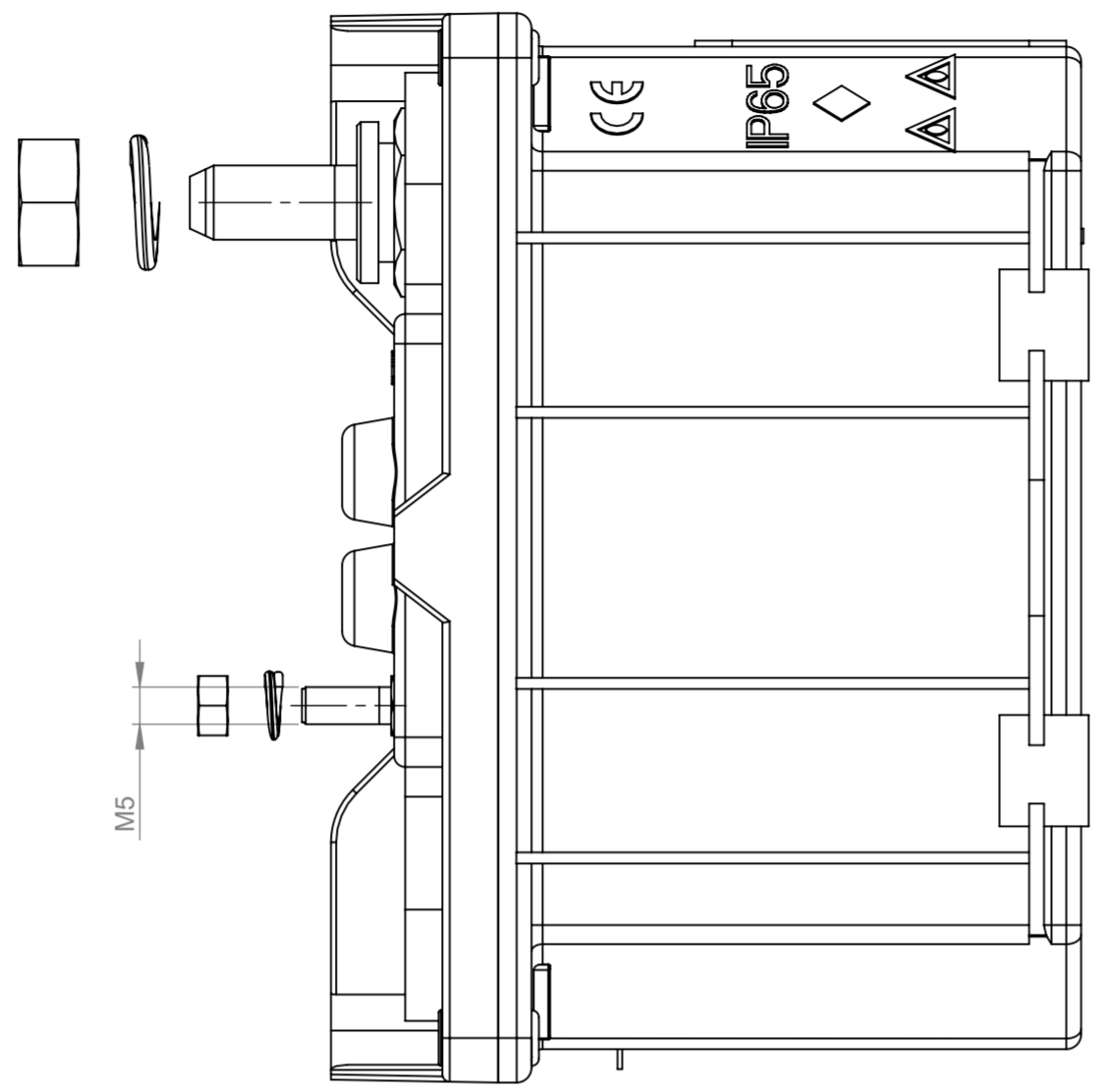
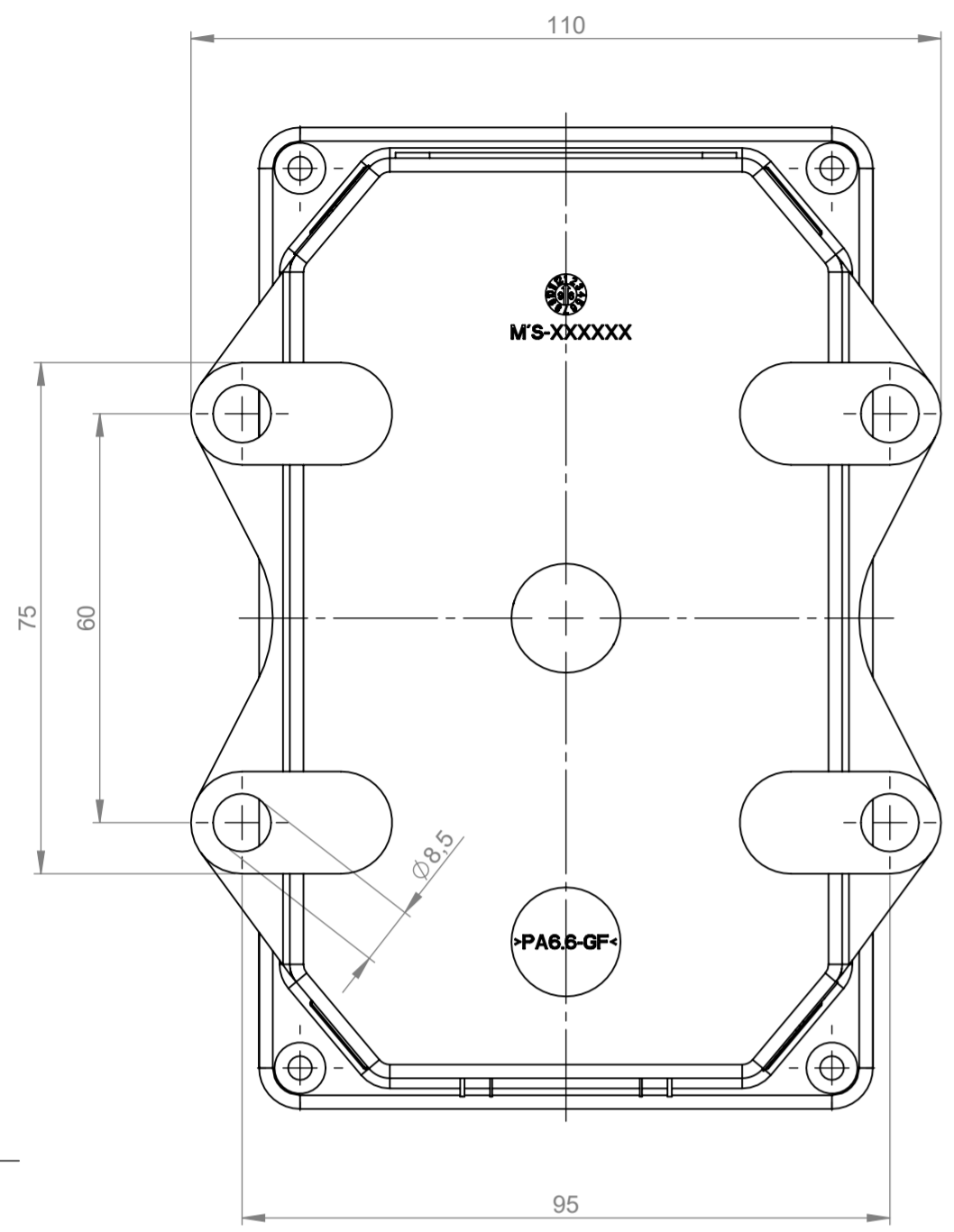


THIS DRAWING AND THE INFORMATION CONTAINED WITHIN IT ARE CONFIDENTIAL AND MAY NOT BE COPIED OR DISCLOSED WITHOUT THE WRITTEN PERMISSION OF LITTELFUSE.

		REVISIONS		
REV.	DESCRIPTION	DATE	DESIGNED	APPROVED
A	FIRST ISSUE OF OUTLINE DRAWING	25-June-2020	Gasparini	Tinto



**ELECTRICAL CHARACTERISTICS**

- Nominal tension voltage: 12 + 24 V
- Maximum continuous current on main contacts: 250A
- Maximum short time current on main contacts: 2000A at 23°C for 30 sec

**MECHANICAL CHARACTERISTICS**

- Number of electrical and mechanical operations: 100.000
- Tightening torque nuts M10/M12: 20 ± 2 Nm
- Tightening torque nuts M5/M6: 1.6 ± 0.4 Nm

**PRESCRIPTIONS**

- (\*): Marking of date of manufacturing according to standard LITTELFUSE
- It's prudent to fixing the product to the structure using M8 screws and flat washers under the head

SAP drawing number:

Material and treatments:

DIMENSIONS AND TOLERANCES IN MILLIMETERS, DEFINED ACCORDING TO ISO 1101-2017.						
<b>linear dimensions</b>						
0,5 3	>3 6	>6 30	>30 120	>120 400	>400 1000	>1000 2000
±0,2	±0,3	±0,5	±0,8	±1,2	±2	±3
<b>angle (for range of lengths)</b>						
up to 10	>10 50	>50 120	>120 400	>400 1000	>1000 2000	
±1°30'	±1°	±0°30'	±0°15'			
●	FIT/ FUNCTION CRITICAL CHARACTERISTICS SYMBOL					
<S>	SAFETY/ COMPLIANCE CRITICAL CHARACTERISTICS SYMBOL					
CPK	DENOTES CPK DIMENSIONS MINIMUM CPK VALUE					
ST	DENOTES A CHARACTERISTIC THAT PROVIDES AN INDICATION OF PROCESS PERFORMANCE. PROCEDURE FOR MEASUREMENT AND TRACKING TO BE DEFINED IN LITTELFUSE INSPECTION INSTRUCTIONS					
CP	DENOTES CP DIMENSIONS. MINIMUM CP VALUE MUST BE WITHIN THE DIMENSIONAL LIMITATIONS SHOWN ON DRAWING AND INITIALLY LOCATED TO ALLOW FOR MAXIMUM TOOL LIFE					
NAME		DATE		<b>Littelfuse</b> Expertise Applied   Answers Delivered		
DRAWN: L. Dal Molin		20/05/2019				
CHECKED: -		-		TITLE		
-		-		FORM NO.: CVP-PE40-0013 REV A		
-		-		FIRST ANGLE PROJECTION		
-		-		REMOTE CONTROL CURRENT SWITCH		
-		-		TGC 12V (Positive disconnection)		
-		-		SIZE: A2		
-		-		DWG. NO.: OL-08094700		
-		-		OUTLINE REV.: A		
DO NOT SCALE DRAWING		SCALE 1:1		SHEET 1 OF 1		