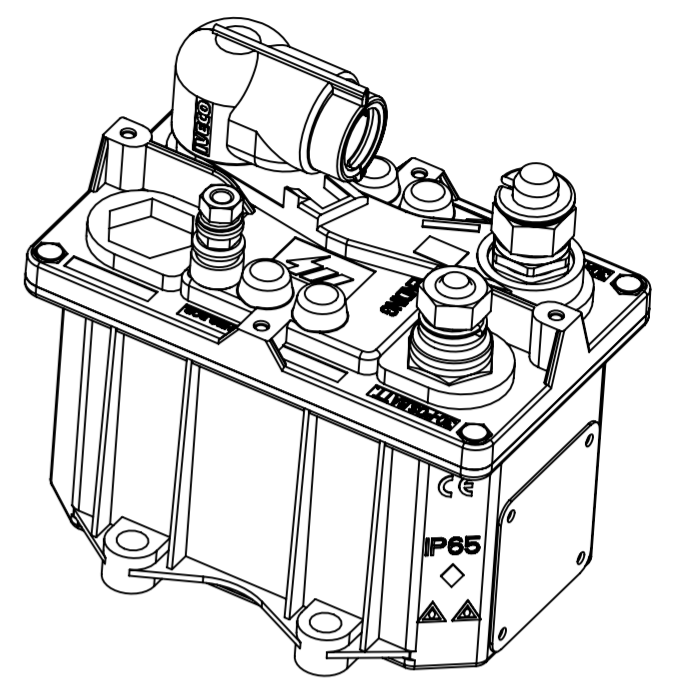
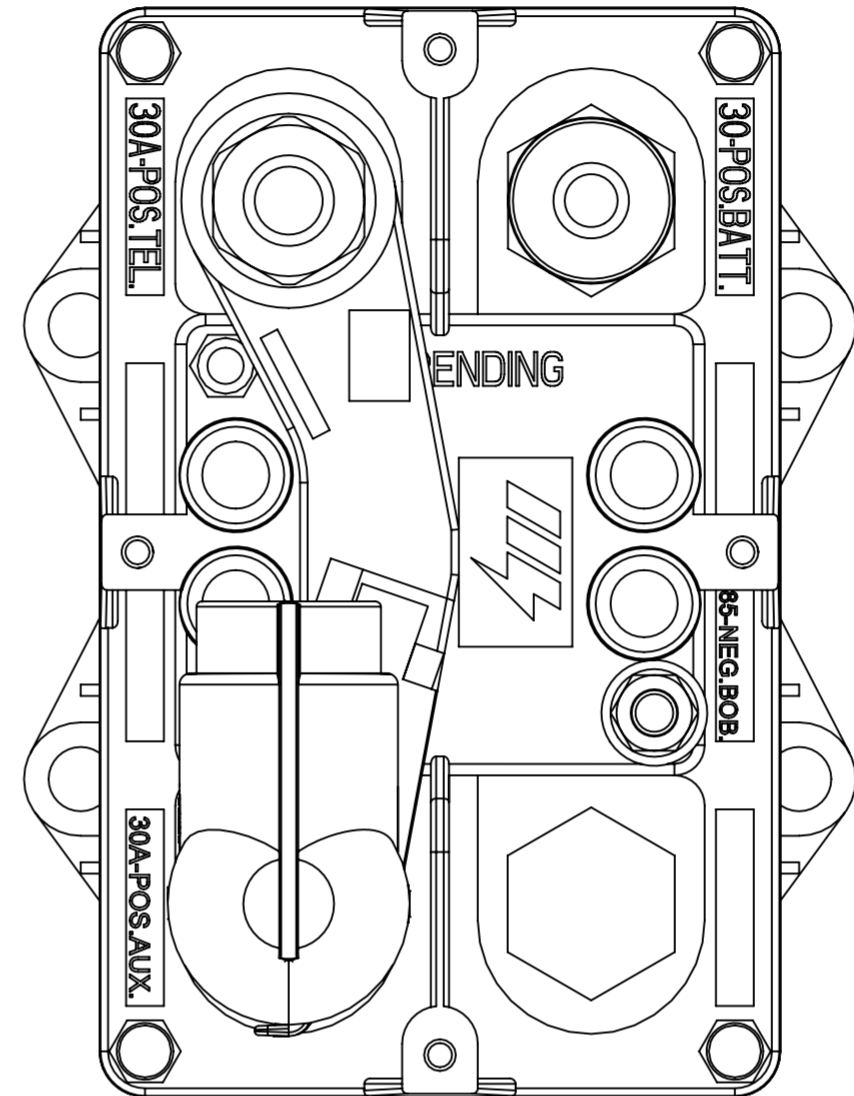
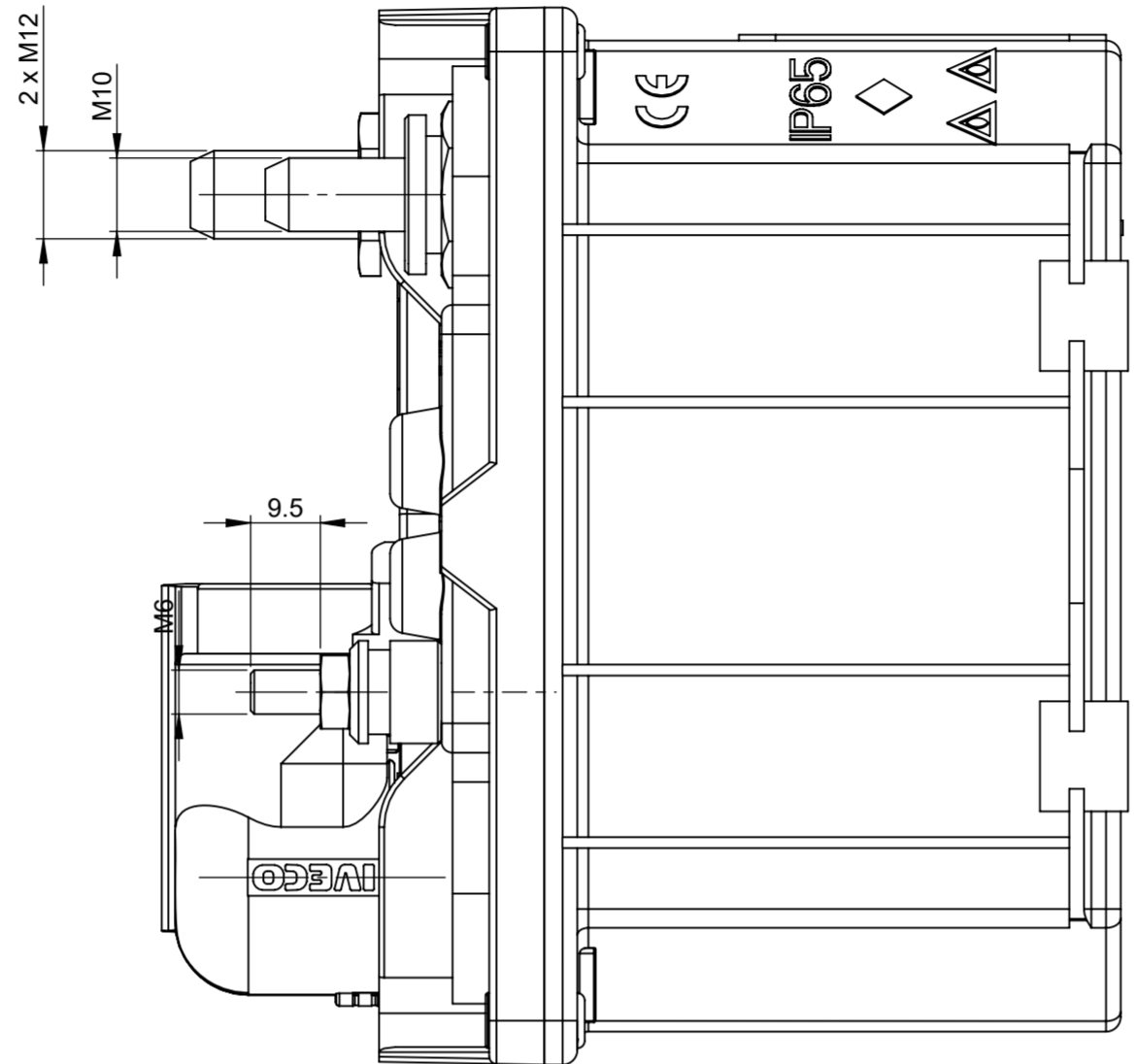
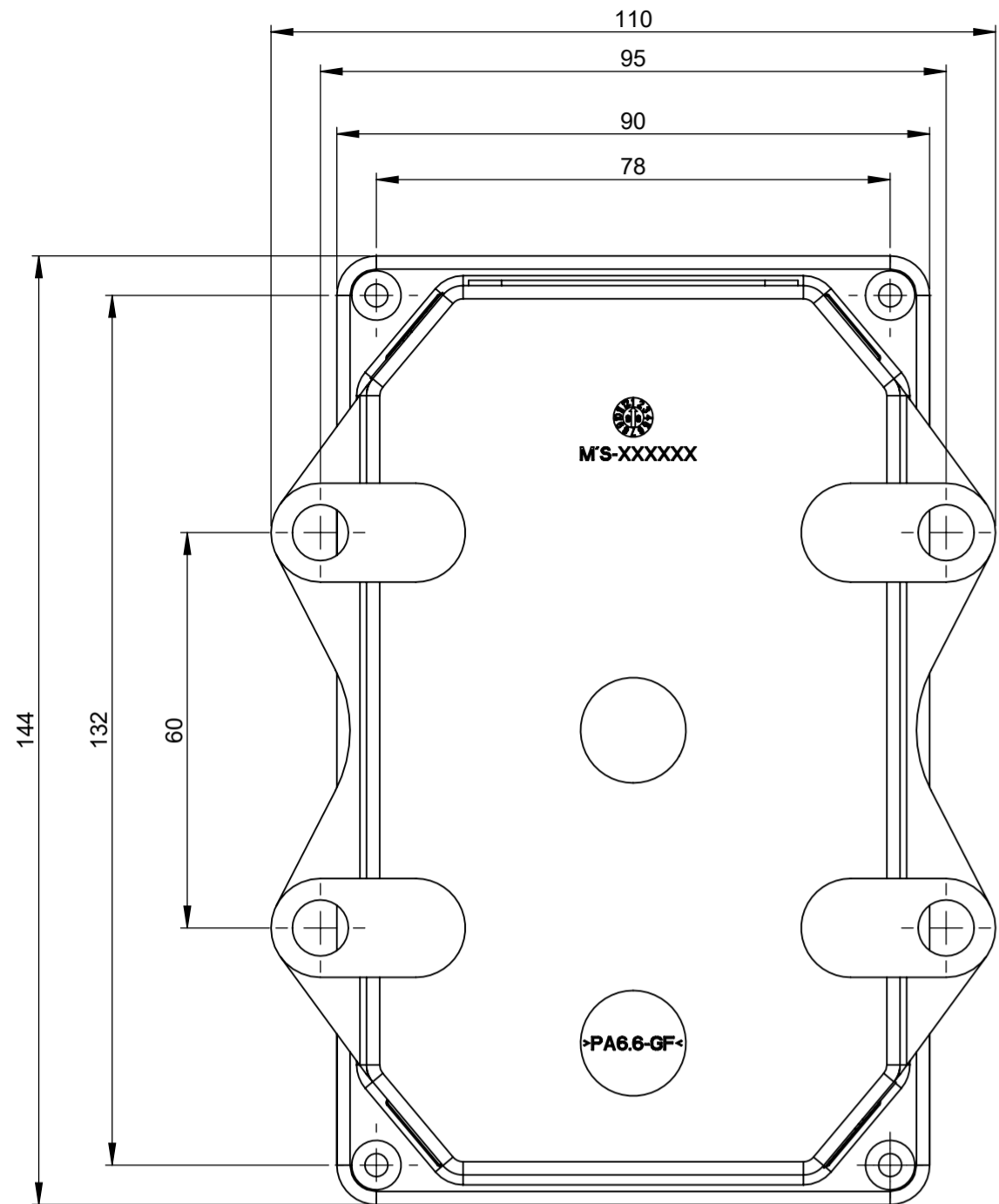
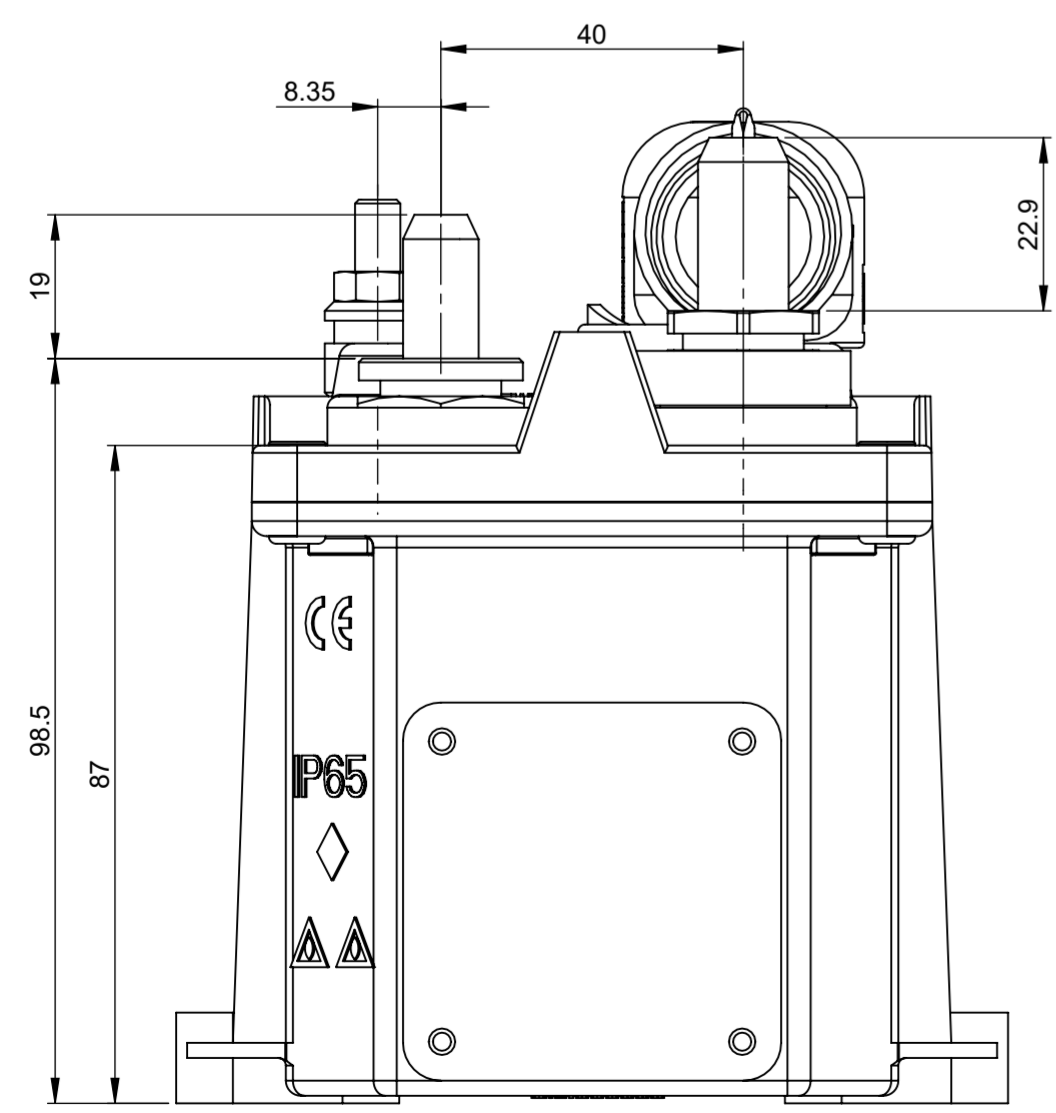


THIS DRAWING AND THE INFORMATION CONTAINED WITHIN IT ARE CONFIDENTIAL AND MAY NOT BE COPIED OR DISCLOSED WITHOUT THE WRITTEN PERMISSION OF LITTELFUSE.

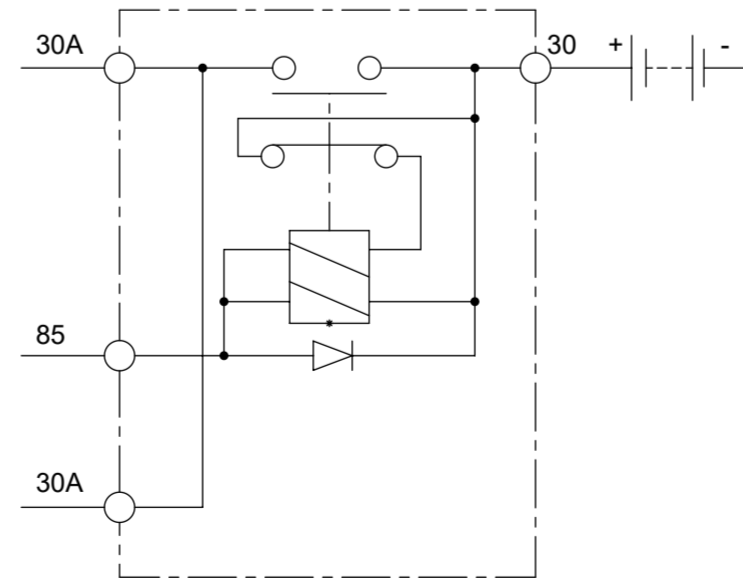
REVISIONS		DATE	GCF / ECR	DESIGNED	APPROVED
REV.	DESCRIPTION	20Oct-22		L.Dal Molin	M.Tinto
A	Initial Release				



Nuts and washers are all supplied in the kit



Electrical Diagram



- CHARACTERISTICS**
- Nominal tension: 24V
 - Maximum continuous current: 250A
 - Maximum current: 2000A for 30 sec.
 - Number of mechanical and electrical cycles: 100.000
 - Tightening torque M12 nuts: 20 Nm
 - Tightening torque M10 nuts: 20 Nm
 - Tightening torque M6 nut: 1.6±0.4 Nm

- PRESCRIPTIONS**
- Fix the device to the structure by the M8 screws and plane washer with a torque of 10±2 Nm.
 - All screws and washers are supplied in the kit.

DIMENSIONS AND TOLERANCES IN MILLIMETERS, DEFINED ACCORDING TO ISO 1101-2017.					
linear dimensions					
0,5	>3	>6	>30	>120	>400
3	6	30	120	400	1000
±0,2	±0,3	±0,5	±0,8	±1,2	±2
angle (for range of lengths)					
up to	>10	>50	>120	>400	>1200
10	50	120	400	1000	2000
±1°30'	±1°	±0°30'	±0°15'		
●	FIT/ FUNCTION CRITICAL CHARACTERISTICS SYMBOL				
<S>	SAFETY/ COMPLIANCE CRITICAL CHARACTERISTICS SYMBOL				
CPK	DENOTES CPK DIMENSIONS MINIMUM CPK VALUE				
ST	DENOTES A CHARACTERISTIC THAT PROVIDES AN INDICATION OF PROCESS PERFORMANCE. PROCEDURE FOR MEASUREMENT AND TRACKING TO BE DEFINED IN LITTELFUSE INSPECTION INSTRUCTIONS				
CP	DENOTES CP DIMENSIONS. MINIMUM CP VALUE MUST BE WITHIN THE DIMENSIONAL LIMITATIONS SHOWN ON DRAWING AND INITIALLY LOCATED TO ALLOW FOR MAXIMUM TOOL LIFE				
NAME	DATE	 Expertise Applied Answers Delivered			
DRAWN	L. Dal Molin 1 Sep 2022				
CHECKED	-				
FORM NO: CVP-PE40-0013 REV A		TITLE			
FIRST ANGLE PROJECTION		EL.BMS TGC/I 24V(+) AUX AND PROTECTION			
SIZE: A2	DWG. NO. OL-08094562	OUTLINE REV. A			
DO NOT SCALE DRAWING	SCALE 1:1	SHEET 1 OF 1			