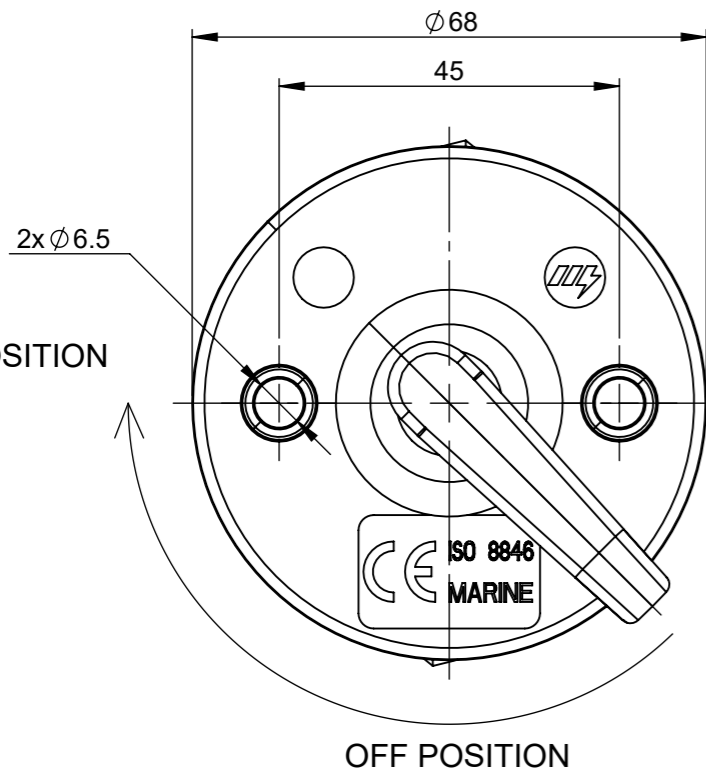
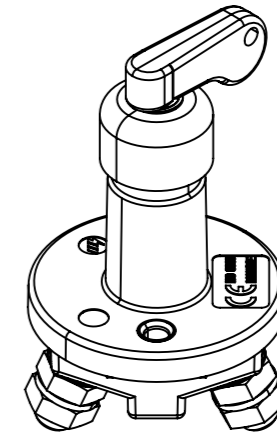
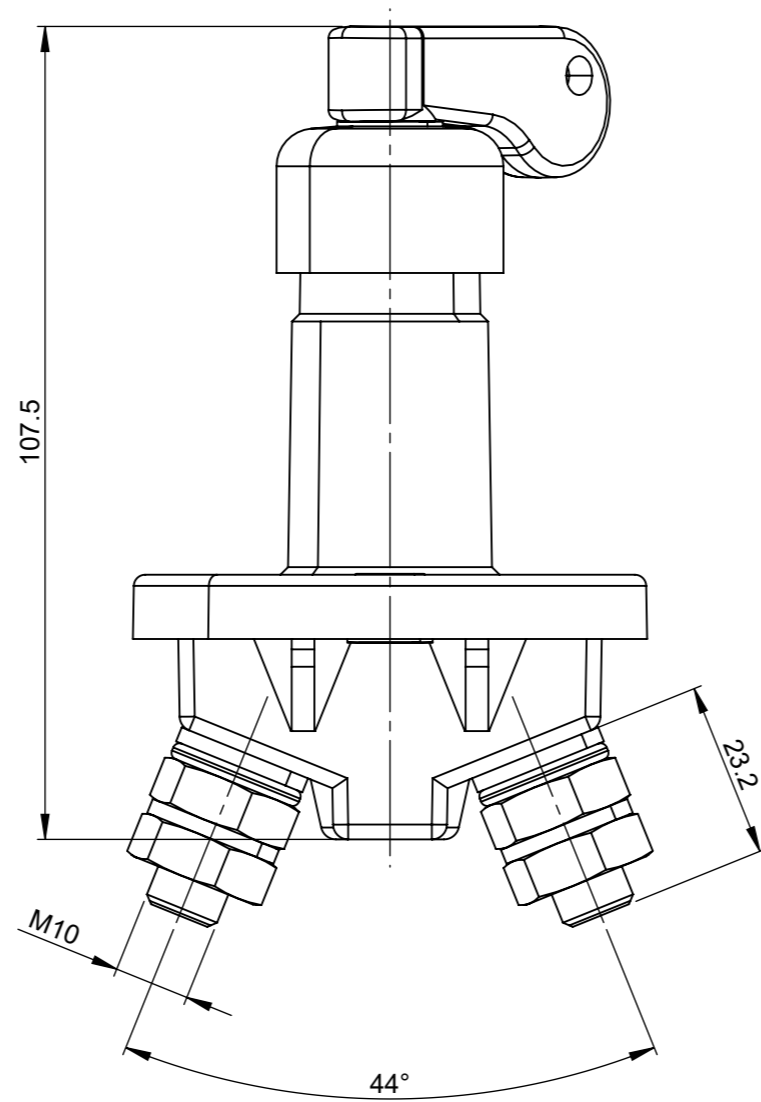
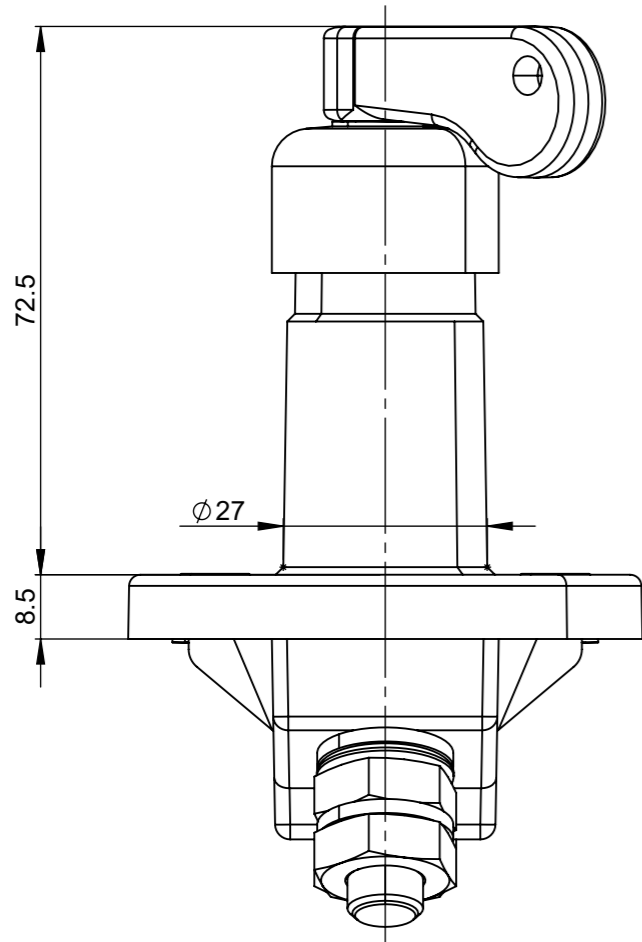
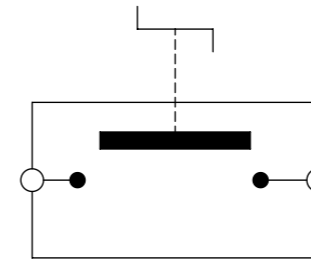


THIS DRAWING AND THE INFORMATION CONTAINED WITHIN IT ARE CONFIDENTIAL AND MAY NOT BE COPIED OR DISCLOSED WITHOUT THE WRITTEN PERMISSION OF LITTELFUSE.

REVISIONS					
REV.	DESCRIPTION	DATE	GCF / ECR	DESIGNED	APPROVED
A	Initial Release	28 Jul 2022		L.Dal Molin	M.Tinto



ELECTRICAL DIAGRAM



CHARACTERISTICS

- Nominal voltage: 12 - 24 V
- Maximum continuous current: 200A
- Maximum current: 1000A for 5 sec.
- Number of mechanical and electrical cycles: 25.000
- Handle operating torque ON - OFF: 20 -10±2 Nm
- Tightening torque M10 nuts: 12±2 Nm
- Tightening torque M6 screw: 8±1 Nm

DIMENSIONS AND TOLERANCES IN MILLIMETERS, DEFINED ACCORDING TO ISO 1101-2017.

linear dimensions						
0,5	>3	>6	>30	>120	>400	>1000
3	6	30	120	400	1000	2000
±0,2	±0,3	±0,5	±0,8	±1,2	±2	±3
angle (for range of lengths)						
up to	>10	>50	>120	>400		
10	50	120	400			
±1°30'	±1°	±0°30'	±0°15'			

●	FIT/ FUNCTION CRITICAL CHARACTERISTICS SYMBOL
<S>	SAFETY/ COMPLIANCE CRITICAL CHARACTERISTICS SYMBOL
CPK	DENOTES CPK DIMENSIONS MINIMUM CPK VALUE
ST	DENOTES A CHARACTERISTIC THAT PROVIDES AN INDICATION OF PROCESS PERFORMANCE. PROCEDURE FOR MEASUREMENT AND TRACKING TO BE DEFINED IN LITTELFUSE INSPECTION INSTRUCTIONS
CP	DENOTES CP DIMENSIONS, -MINIMUM CP VALUE MUST BE WITHIN THE DIMENSIONAL LIMITATIONS SHOWN ON DRAWING AND INITIALLY LOCATED TO ALLOW FOR MAXIMUM TOOL LIFE

	NAME	DATE	Littelfuse Expertise Applied Answers Delivered		
DRAWN	L. Dal Molin	28 Jul 2022	TITLE Igc-200 (With 44° Contacts-Marine-Truck) DWG. NO. OL-08081400 OUTLINE REV. A		
CHECKED	-	-			
	-	-			
	-	-			
FORM NO: CVP-PE40-0013 REV A			SIZE: A3	SCALE: 1:1	SHEET 1 OF 1
FIRST ANGLE PROJECTION					