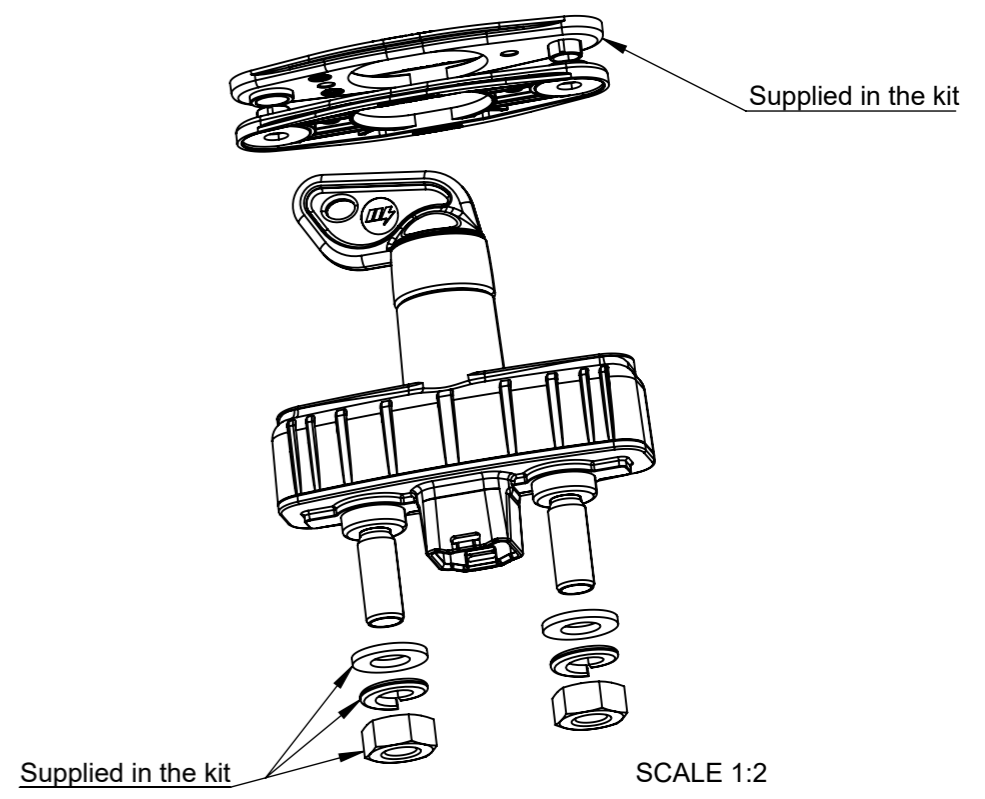
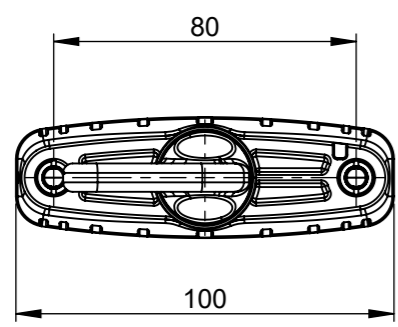
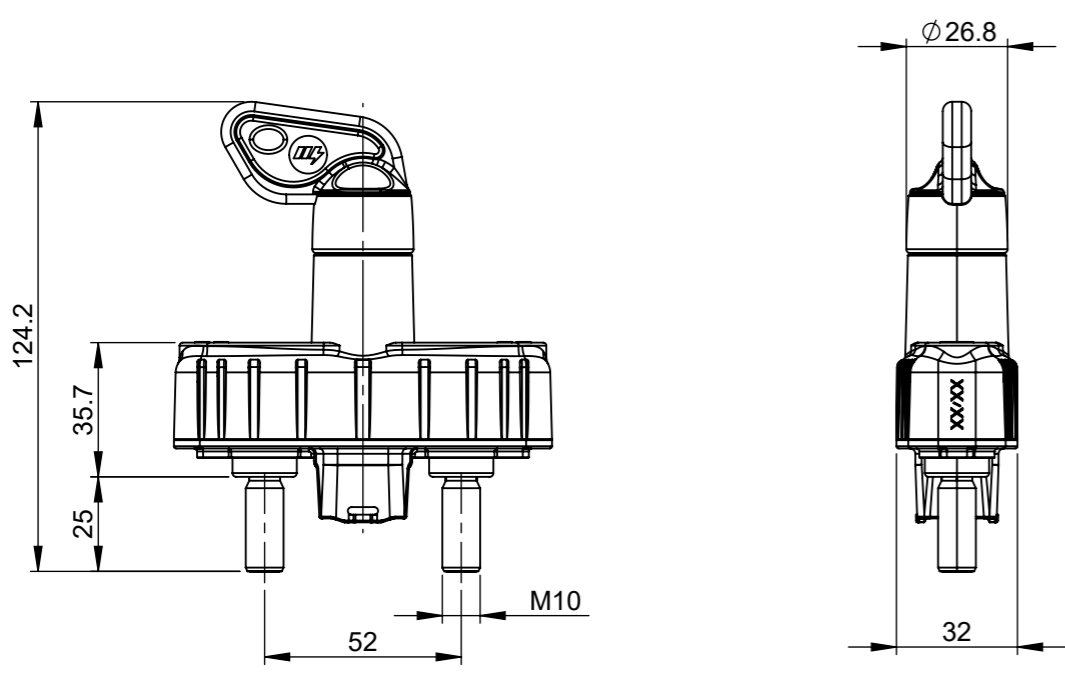


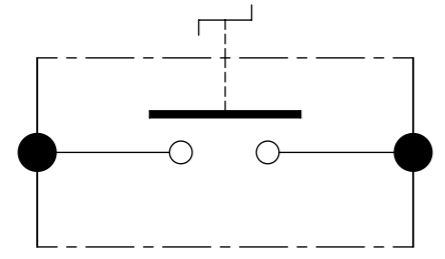
THIS DRAWING AND THE INFORMATION CONTAINED WITHIN IT ARE CONFIDENTIAL AND MAY NOT BE COPIED OR DISCLOSED WITHOUT THE WRITTEN PERMISSION OF LITTELFUSE.

REVISIONS					
REV.	DESCRIPTION	DATE	GCF / ECR	DESIGNED	APPROVED
A	Initial release	10-Jun-22		L.Dal Molin	M.Tinto

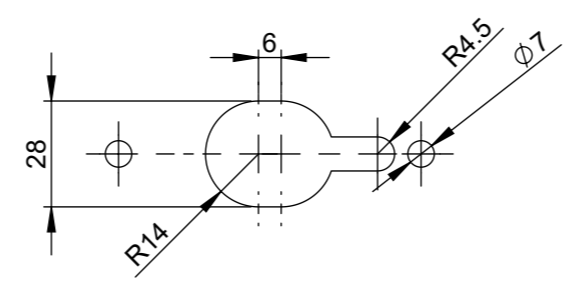


- CHARACTERISTICS**
- Rated voltage: 28.5V
  - Working tension range: from 8V to 34V
  - Maximum continuous current in the main contact: 250A at 23°C
  - Maximum current of short duration in the main contact: 1500A for 5sec at 23°C
  - Number of mechanical and electrical cycles: 20.000
  - Max key locking torque recommended: 7Nm
  - Screws recommended to fix M6 with locking torque:  $8 \pm 1.6$  Nm
  - Screwing torque on main contacts M10:  $18 \pm 1$  Nm

Electrical diagram



Fixing holes



DIMENSIONS AND TOLERANCES IN MILLIMETERS, DEFINED ACCORDING TO ISO 1101-2017.

linear dimensions						
0,5 3	>3 6	>6 30	>30 120	>120 400	>400 1000	>1000 2000
$\pm 0,2$	$\pm 0,3$	$\pm 0,5$	$\pm 0,8$	$\pm 1,2$	$\pm 2$	$\pm 3$

angle (for range of lengths)			
up to 10	>10 50	>50 120	>120 400
$\pm 1^{\circ}30'$	$\pm 1^{\circ}$	$\pm 0^{\circ}30'$	$\pm 0^{\circ}15'$

●	FIT/ FUNCTION CRITICAL CHARACTERISTICS SYMBOL
<S>	SAFETY/ COMPLIANCE CRITICAL CHARACTERISTICS SYMBOL
CPK	DENOTES CPK DIMENSIONS MINIMUM CPK VALUE
ST	DENOTES A CHARACTERISTIC THAT PROVIDES AN INDICATION OF PROCESS PERFORMANCE. PROCEDURE FOR MEASUREMENT AND TRACKING TO BE DEFINED IN LITTELFUSE INSPECTION INSTRUCTIONS
CP	DENOTES CP DIMENSIONS, -MINIMUM CP VALUE MUST BE WITHIN THE DIMENSIONAL LIMITATIONS SHOWN ON DRAWING AND INITIALLY LOCATED TO ALLOW FOR MAXIMUM TOOL LIFE

DRAWN	L. Dal Molin	10-Jun-22	 <b>Expertise Applied   Answers Delivered</b>		
CHECKED	-	-			
	-	-			
	-	-			
FORM NO: CVP-PE40-0013 REV A			TITLE		
FIRST ANGLE PROJECTION			MANUAL BATTERY SWITCH HANDLE		
			SIZE: A3	DWG. NO. OL-08080670	OUTLINE REV. A
DO NOT SCALE DRAWING			SCALE 1:2	SHEET 1 OF 1	