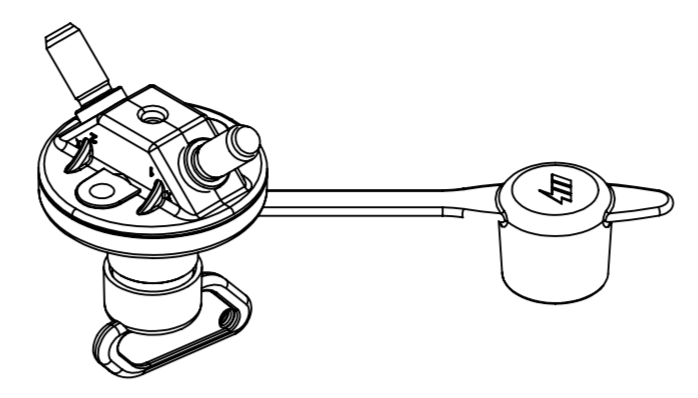
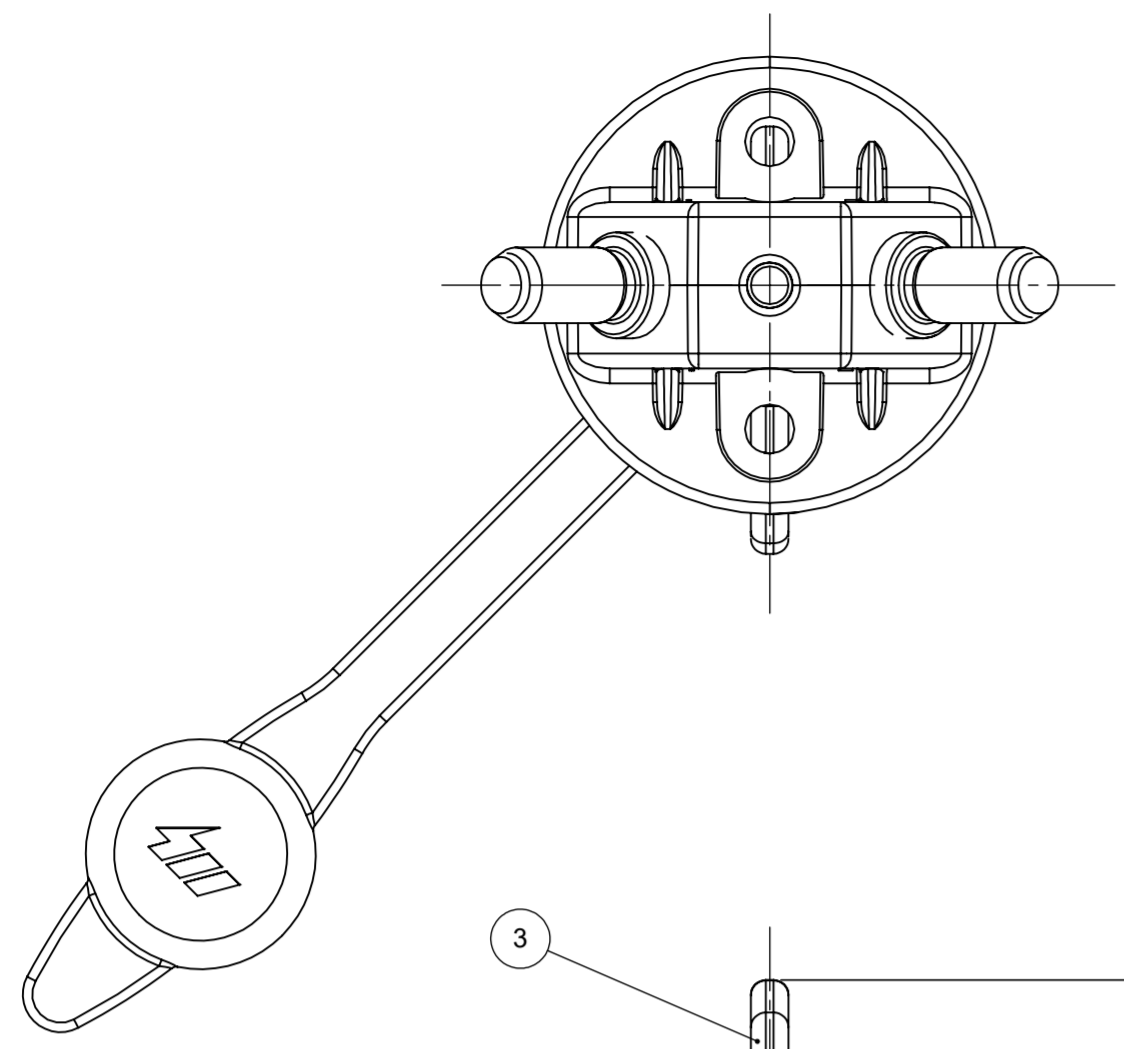


THIS DRAWING AND THE INFORMATION CONTAINED WITHIN IT ARE CONFIDENTIAL AND MAY NOT BE COPIED OR DISCLOSED WITHOUT THE WRITTEN PERMISSION OF LITTELFUSE.

REVISIONS				
REV.	DESCRIPTION	DATE	DESIGNED	APPROVED
A	First issue of outline drawing	20-May-20	L.Dal Molin	M.Tinto



SCALE 1:2

FEATURES

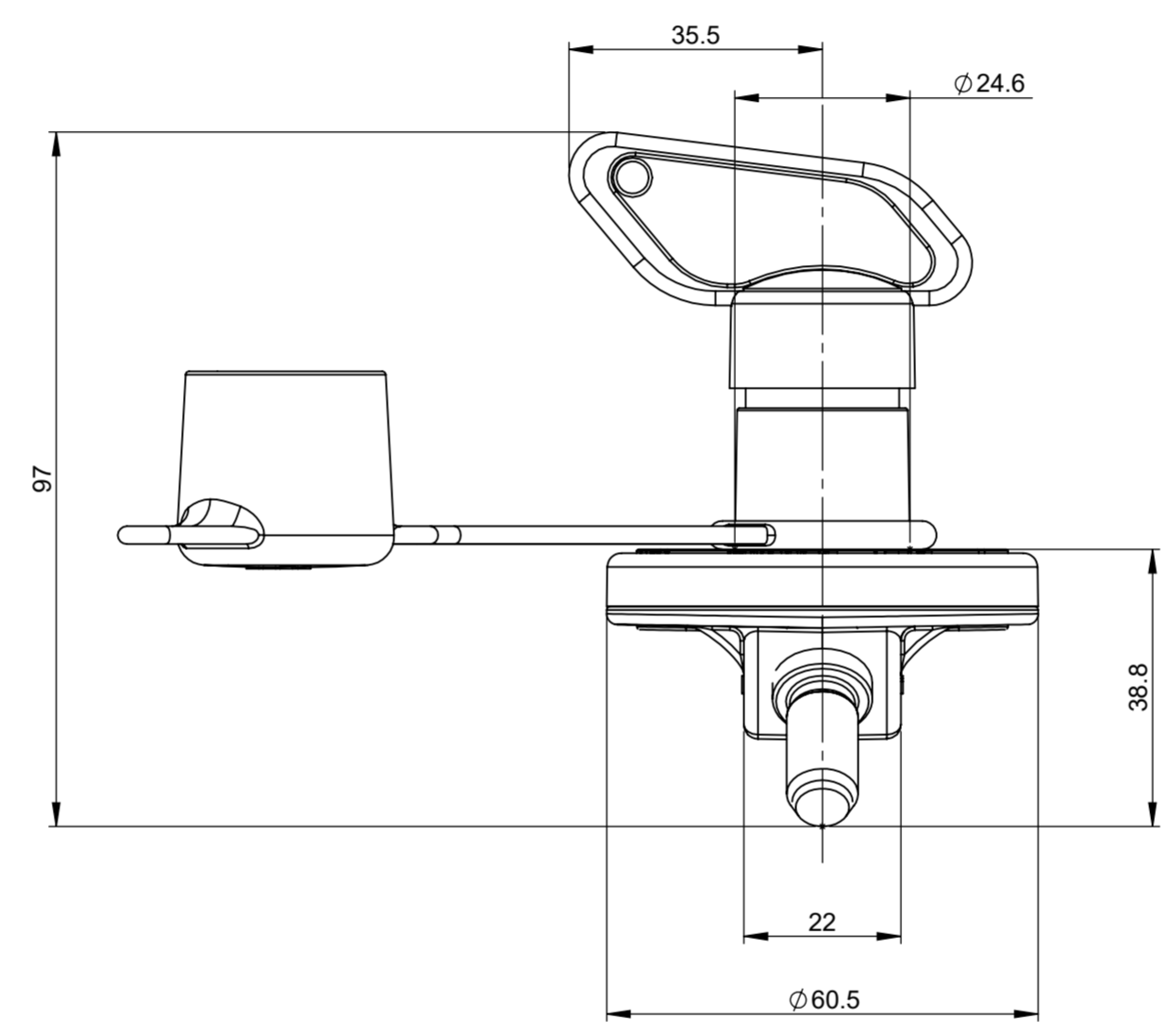
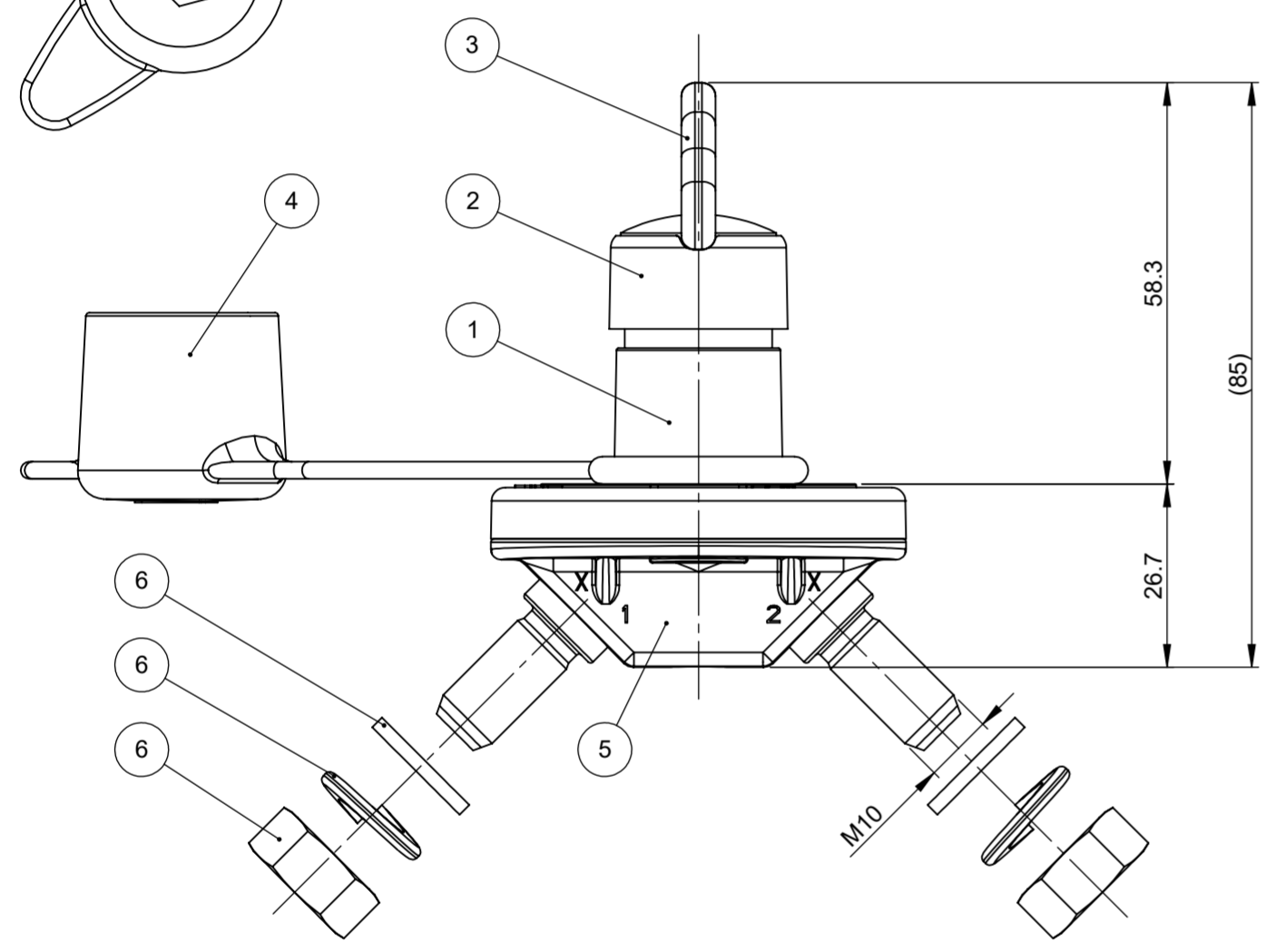
- Nominal voltage: 12V-24V
- Maximum direct current: 150A
- Maximum short time current: 1200 A for 5s at 23±5°C
- Number of electrical operations: 5000
- Number of mechanical operations: 5000
- M10 nuts tightening torque: 20±2 Nm
- Fixing on the bracket by screws and nuts M6 and tightening torque 3.3±0.2 Nm (only with cover or protection mounted)
- Components supplied not assembled: key, 2 M10 nuts, 2 flat washers and 2 washer springs

ASSEMBLY KEY

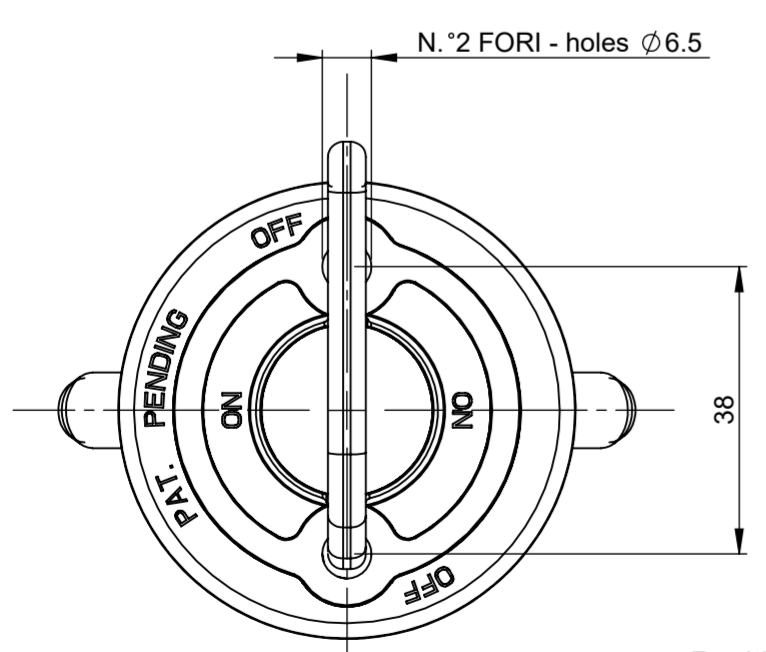
- To assemble the key, insert it and turn it clockwise of 15° taking the device in state Switched OFF; to remove it, with the device in state Switched OFF turn it counterclockwise of 15° and extraxt it

OPERATION

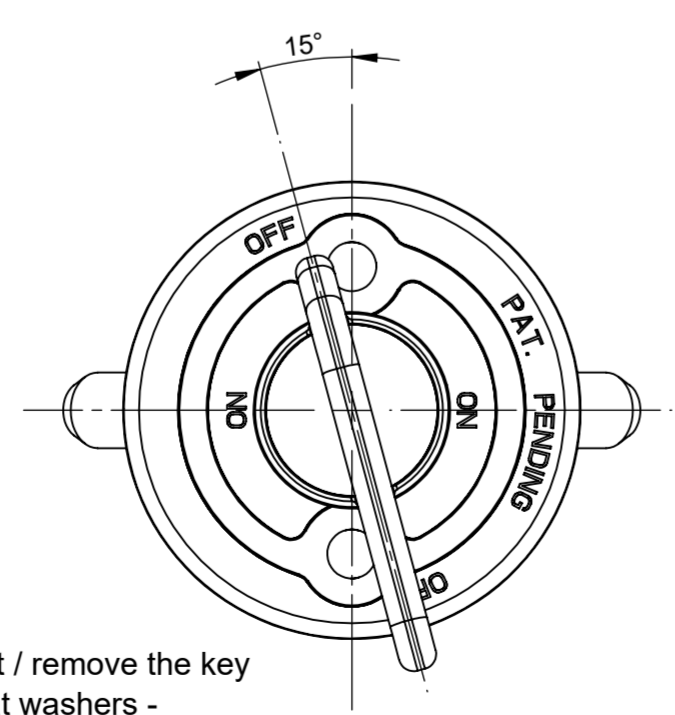
- To close the contacts: turn clockwise the key of 90°
- To open the contacts: turn counterclockwise the key of 90°



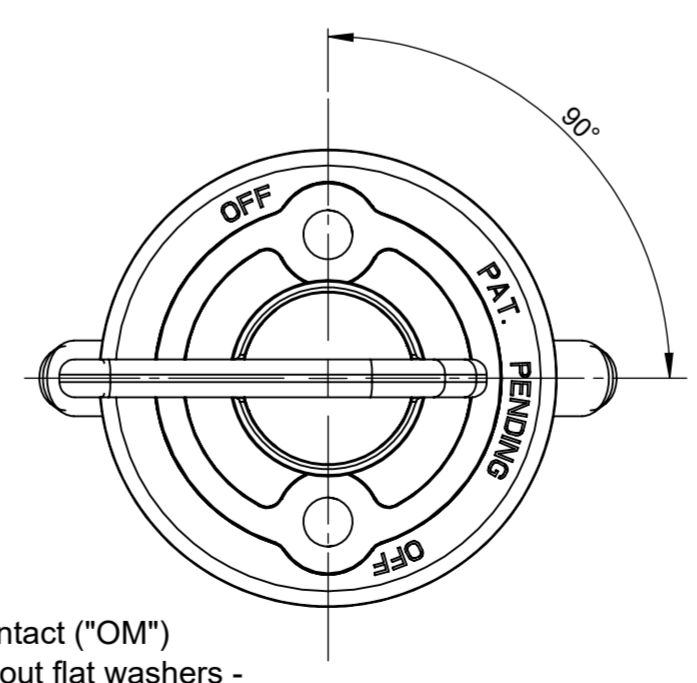
POS.	DESCRIPTION	MATERIAL	Q.TY	U/M
6	Kit for Bms Igc/175		1	EA
5	Lower body comoulded		1	EA
4	Cap eyelet for key	Rubber	1	EA
3	Ring protection key	Polyamide	1	EA
2	Key	Polyamide	1	EA
1	Upper body with key	Polyamide	1	EA



Open contact ("OFF")
(View without flat washers - washer springs - nuts)



Position to insert / remove the key
(View without flat washers - washer springs - nuts, and protection cap)



Closed contact ("ON")
(View without flat washers - washers springs - nuts and protection cap)

SAP drawing number:

Material and treatments:

DIMENSIONS AND TOLERANCES IN MILLIMETERS, DEFINED ACCORDING TO ISO 1101-2017.						
linear dimensions						
0,5	>3	>6	>30	>120	>400	>1000
3	6	30	120	400	1000	2000
±0,2	±0,3	±0,5	±0,8	±1,2	±2	±3
angle (for range of lengths)						
up to 10	>10	>50	>120	>400	>1200	>2000
±1°30'	±1°	±0°30'	±0°15'			
●	FIT/ FUNCTION CRITICAL CHARACTERISTICS SYMBOL					
<S>	SAFETY/ COMPLIANCE CRITICAL CHARACTERISTICS SYMBOL					
CPK	DENOTES CPK DIMENSIONS MINIMUM CPK VALUE					
ST	DENOTES A CHARACTERISTIC THAT PROVIDES AN INDICATION OF PROCESS PERFORMANCE.PROCEDURE FOR MEASUREMENT AND TRACKING TO BE DEFINED IN LITTELFUSE INSPECTION INSTRUCTIONS					
CP	DENOTES CP DIMENSIONS. MINIMUM CP VALUE MUST BE WITHIN THE DIMENSIONAL LIMITATIONS SHOWN ON DRAWING AND INITIALLY LOCATED TO ALLOW FOR MAXIMUM TOOL LIFE					
NAME		DATE				
DRAWN	L. Dal Molin	02-Apr-19				
CHECKED	-	-				
 Expertise Applied Answers Delivered						
FORM NO. CVP-PE40-0013 REV A						
FIRST ANGLE PROJECTION						
TITLE MANUAL BDS IGC/175-C						
SIZE:	A2	DWG. NO.:	OL-08080381	OUTLINE REV.:	A	
DO NOT SCALE DRAWING						
SCALE 1:1		SHEET 1 OF 1				