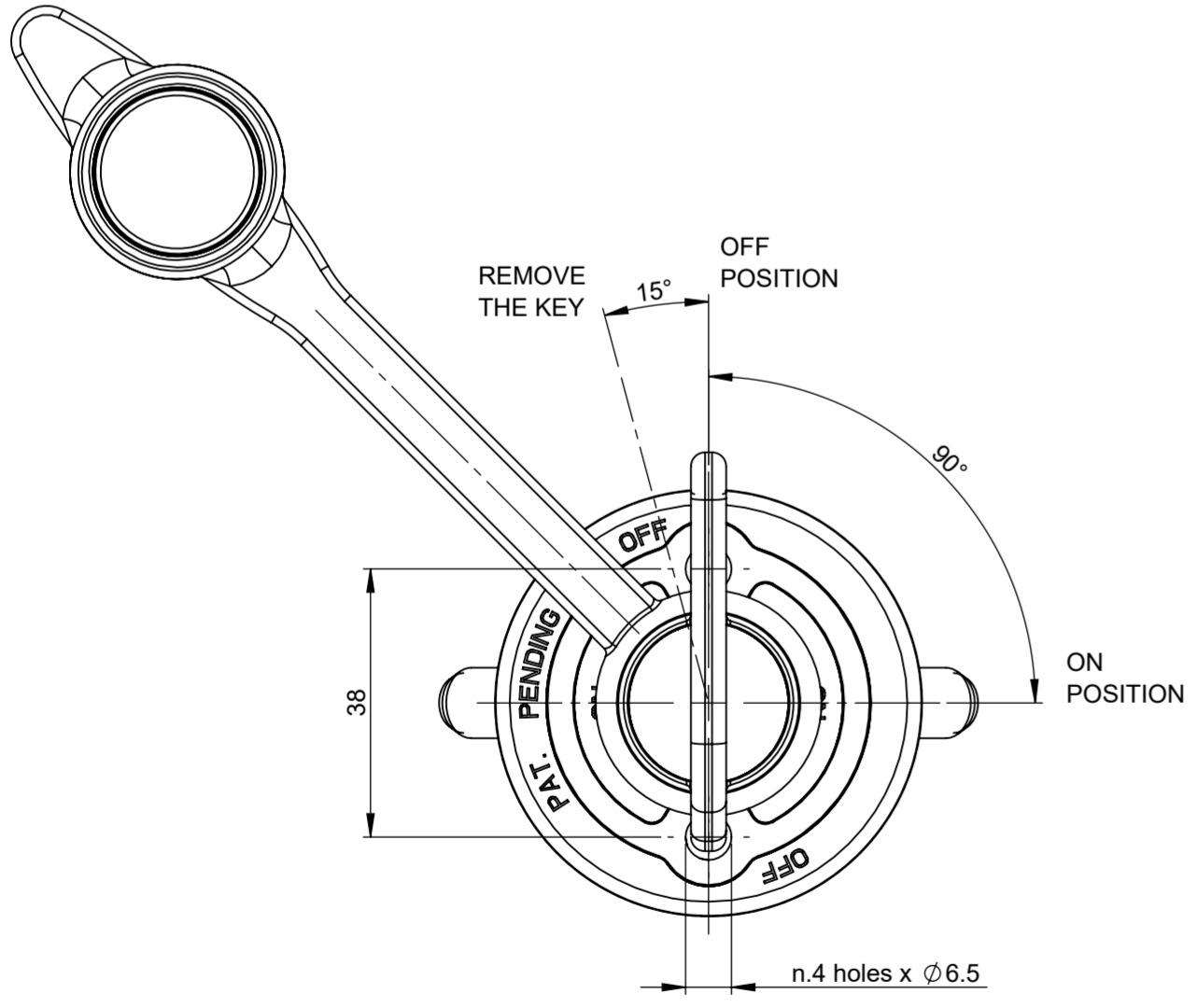
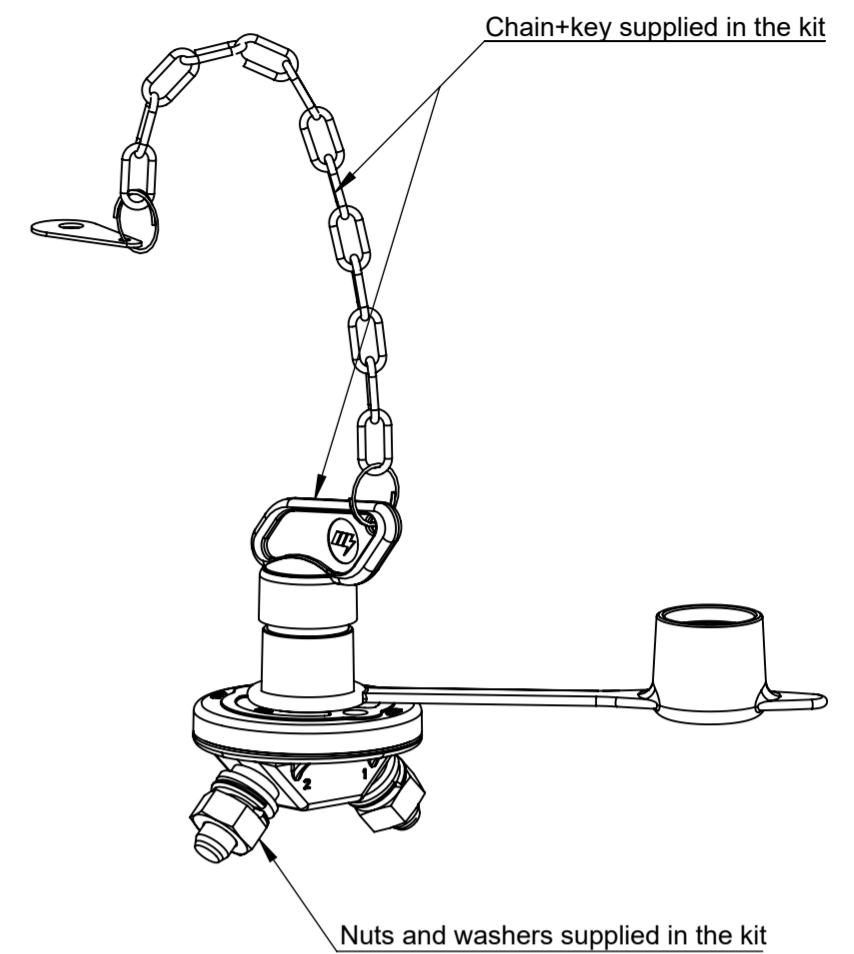
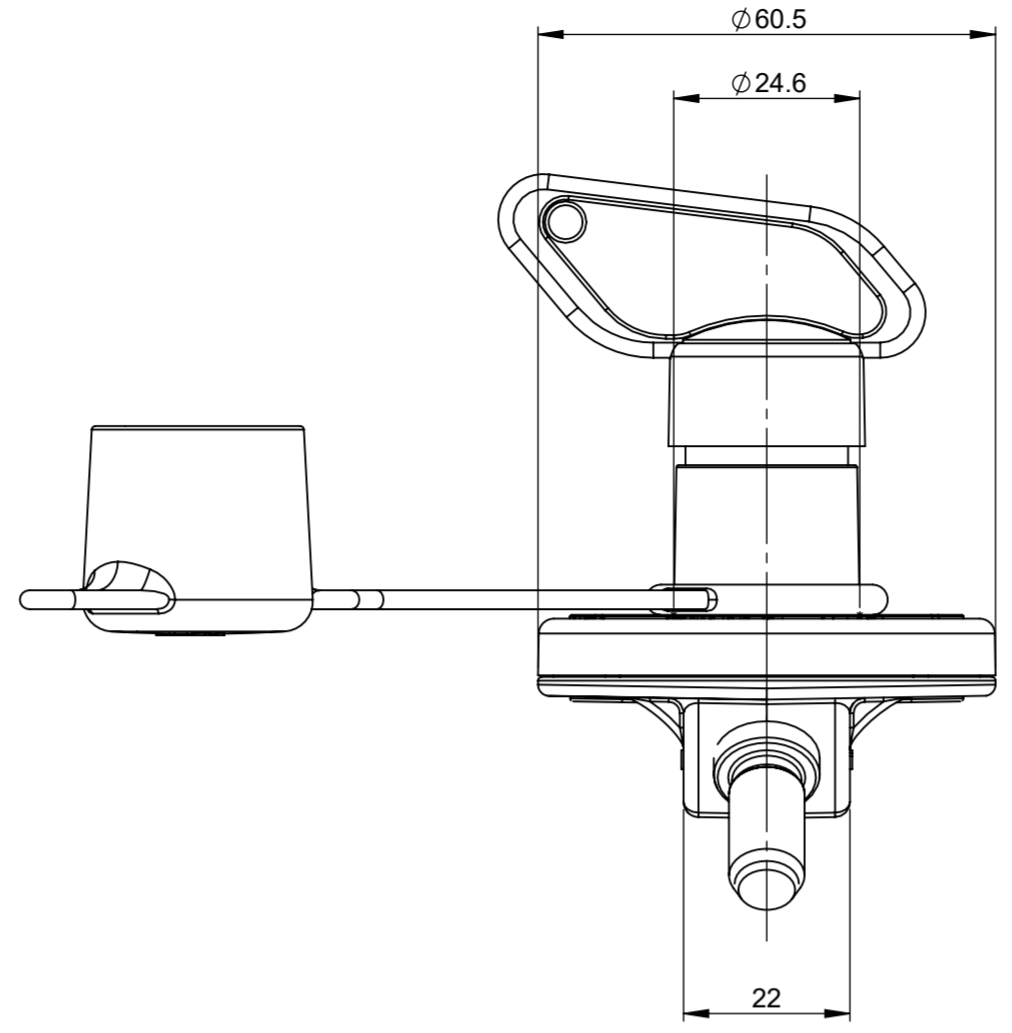
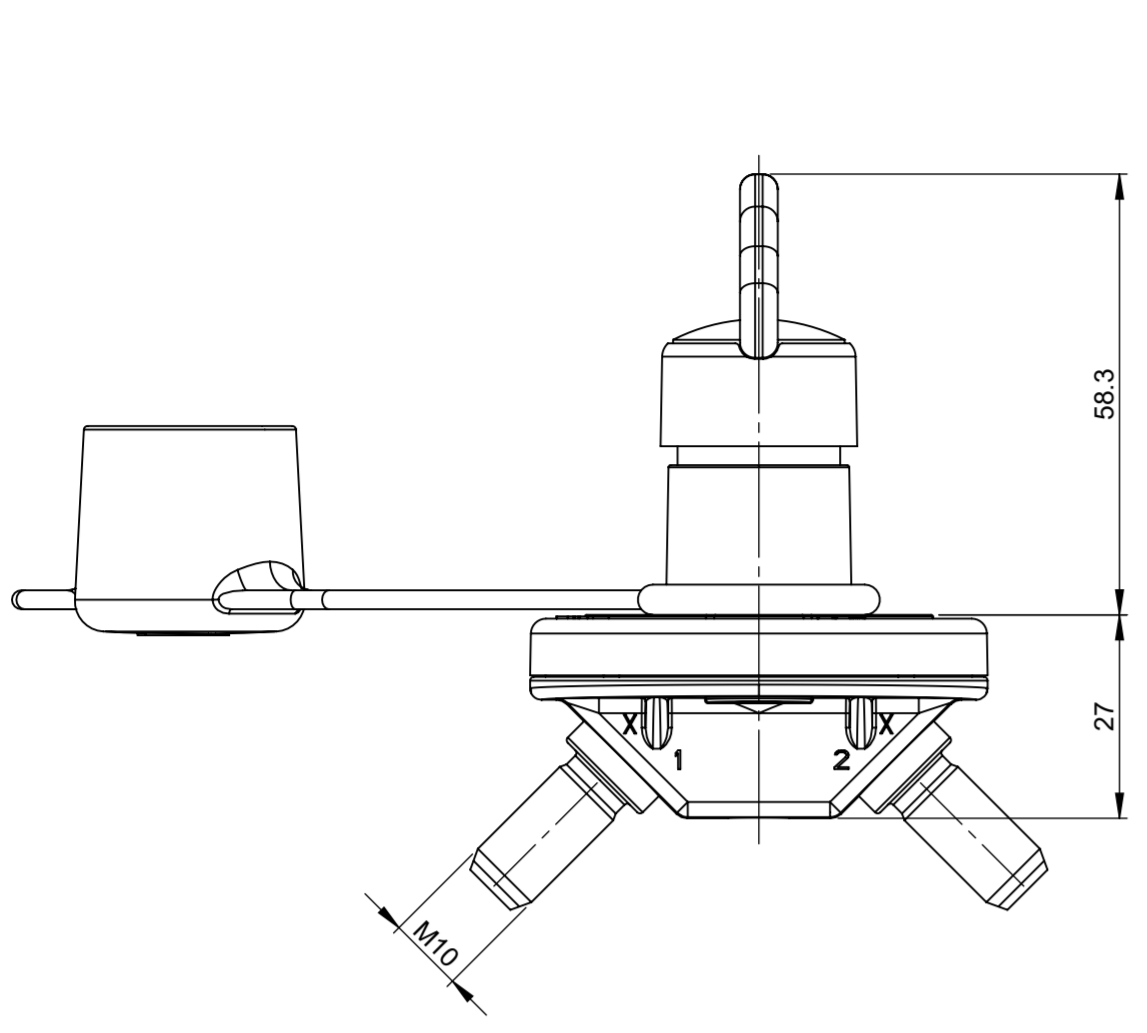


THIS DRAWING AND THE INFORMATION CONTAINED WITHIN IT ARE CONFIDENTIAL AND MAY NOT BE COPIED OR DISCLOSED WITHOUT THE WRITTEN PERMISSION OF LITTELFUSE.

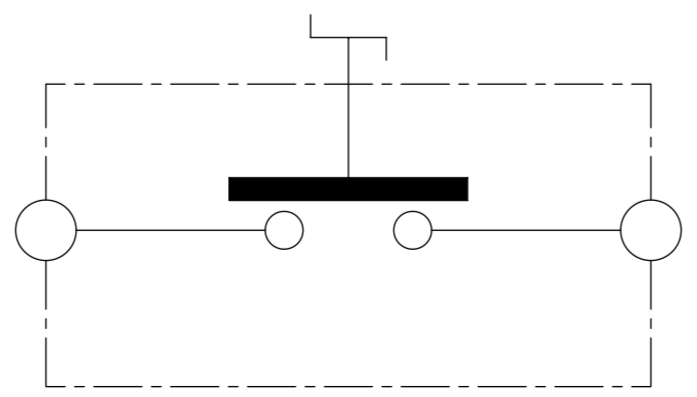
REV.		DESCRIPTION	DATE	GCF / ECR	DESIGNED	APPROVED
A		Initial release	22-Jun-22		L.Dal Molin	M.Tinto



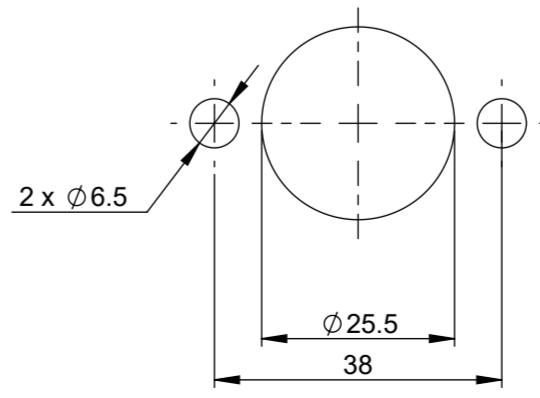
CHARACTERISTICS AND PRESCRIPTION

- Nominal voltage: 12-24V
- Maximum direct current: 150A
- Maximum short time current: 1200A for 5 sec at 23°C
- Number of electrical and mechanical cycles: 5.000
- M10 nuts tightening torque: 20 ± 2 Nm
- Fix the device to th structure by screws and nuts M6 with tightening torque 3.3 ± 0.2 Nm

Electrical diagram



Fixing holes



DIMENSIONS AND TOLERANCES IN MILLIMETERS, DEFINED ACCORDING TO ISO 1101-2017.					
linear dimensions					
0,5	>3	>6	>30	>120	>400
3	6	30	120	400	1000
±0,2	±0,3	±0,5	±0,8	±1,2	±2
angle (for range of lengths)					
up to	>10	>50	>120	>400	>1200
10	50	120	400	1000	2000
±1°30'	±1°	±0°30'	±0°15'	±0°15'	±0°15'
●	FIT/ FUNCTION CRITICAL CHARACTERISTICS SYMBOL				
<S>	SAFETY/ COMPLIANCE CRITICAL CHARACTERISTICS SYMBOL				
CPK	DENOTES CPK DIMENSIONS MINIMUM CPK VALUE				
ST	DENOTES A CHARACTERISTIC THAT PROVIDES AN INDICATION OF PROCESS PERFORMANCE.PROCEDURE FOR MEASUREMENT AND TRACKING TO BE DEFINED IN LITTELFUSE INSPECTION INSTRUCTIONS				
CP	DENOTES CP DIMENSIONS. MINIMUM CP VALUE MUST BE WITHIN THE DIMENSIONAL LIMITATIONS SHOWN ON DRAWING AND INITIALLY LOCATED TO ALLOW FOR MAXIMUM TOOL LIFE				
NAME		DATE			
DRAWN		L. Dal Molin 22-Jun-22			
CHECKED		-			
-		-			
-		-			
-		-			
FORM NO. CVP-PE40-0013 REV A		TITLE			
FIRST ANGLE PROJECTION		MANUAL BDS IGC/175-C			
SIZE: A2		DWG. NO. OL-08080380		OUTLINE REV. A	
DO NOT SCALE DRAWING		SCALE 1:1		SHEET 1 OF 1	

