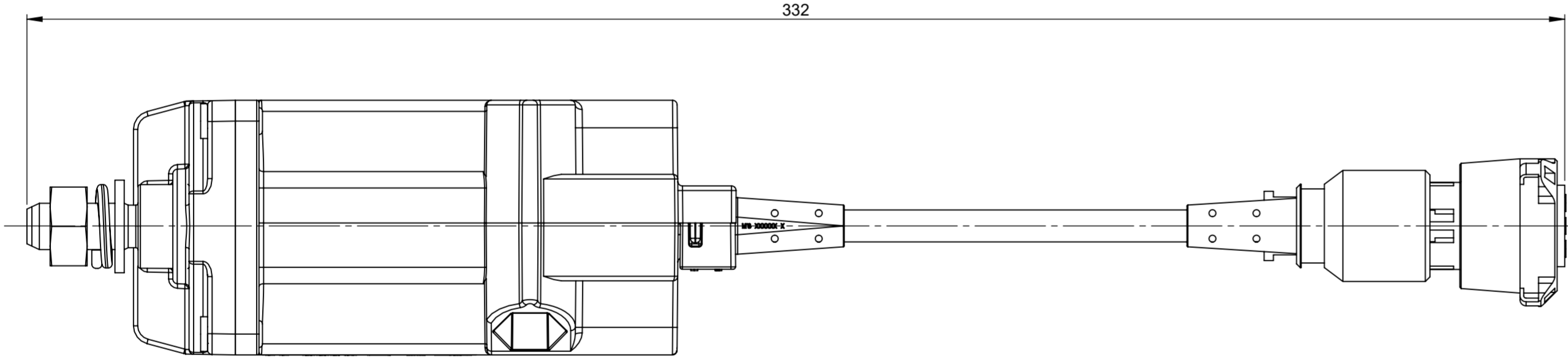
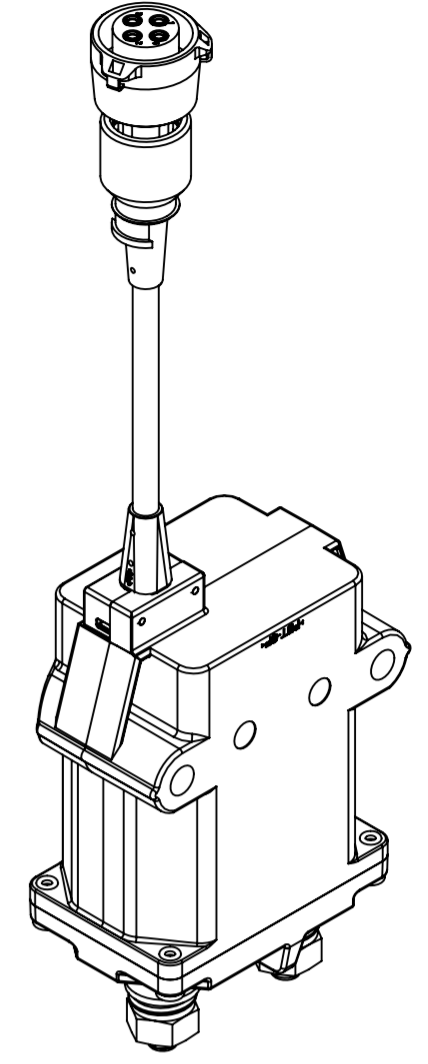
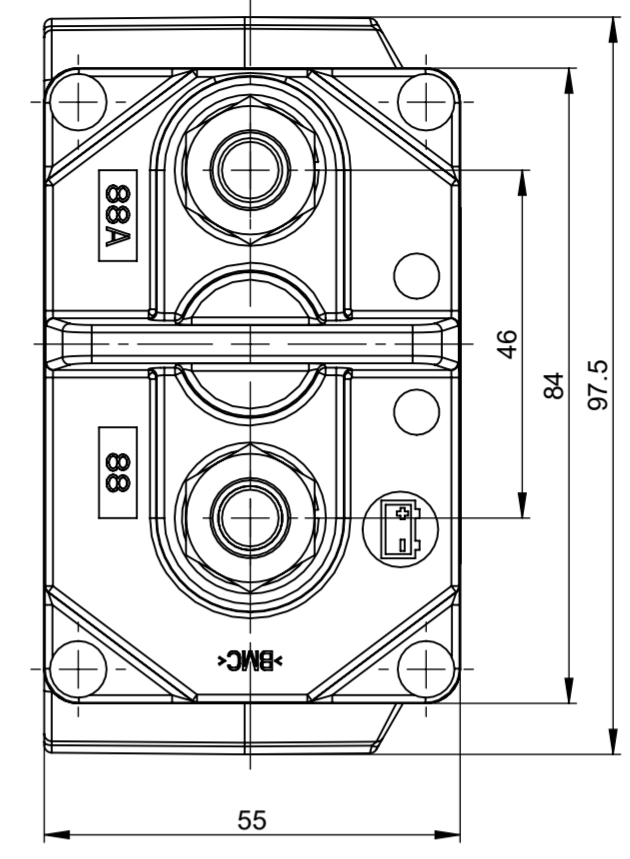
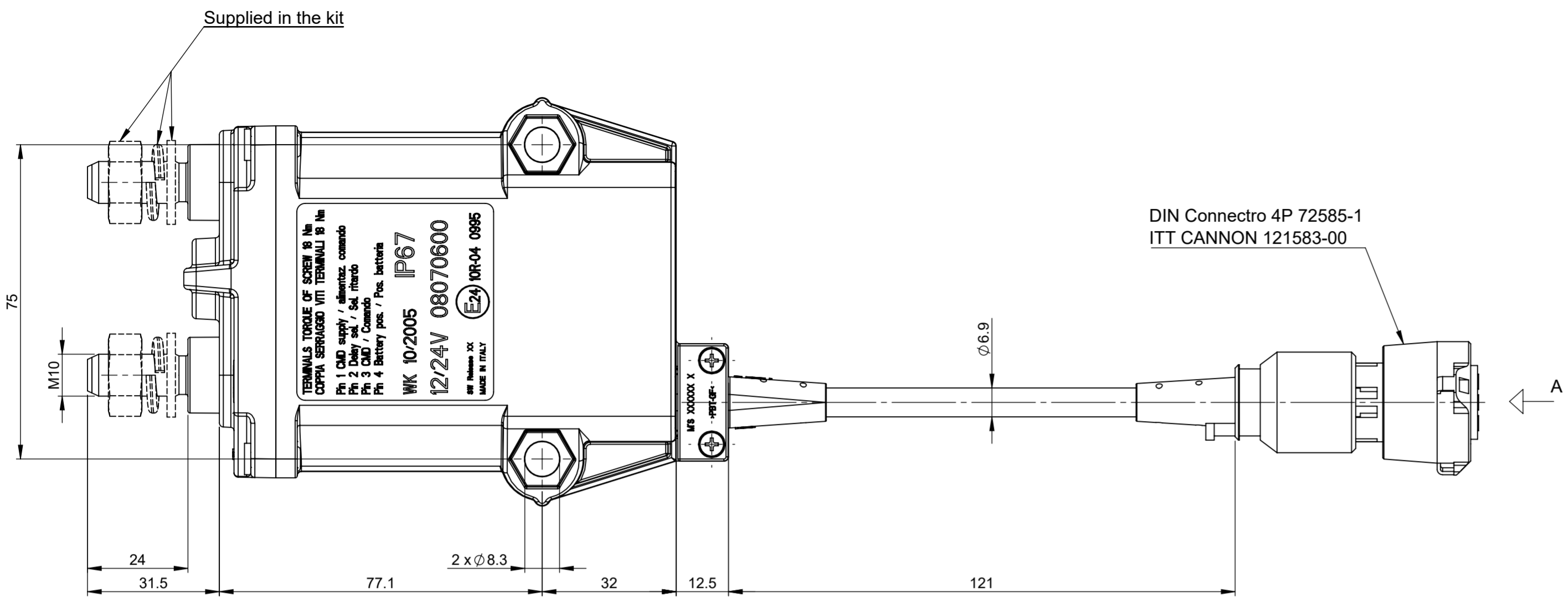
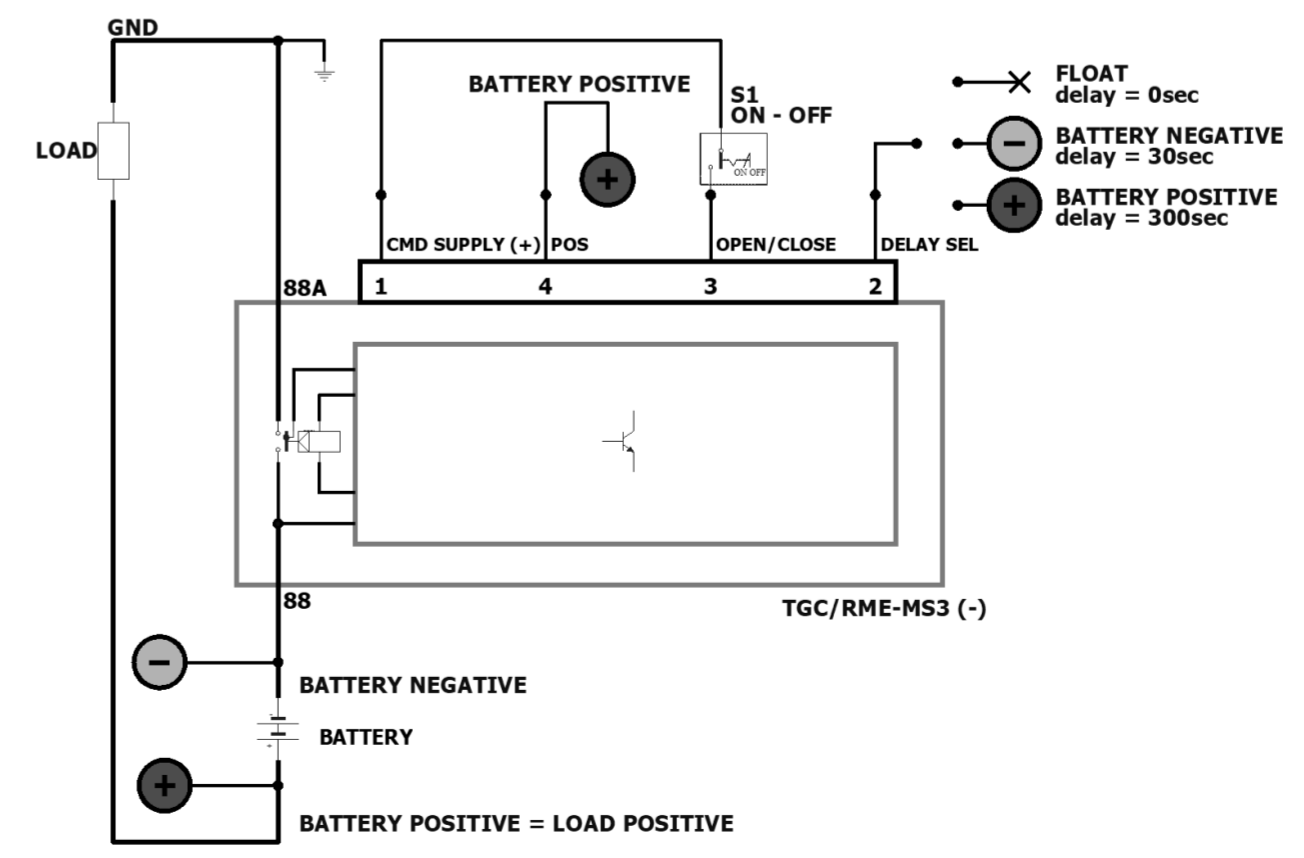
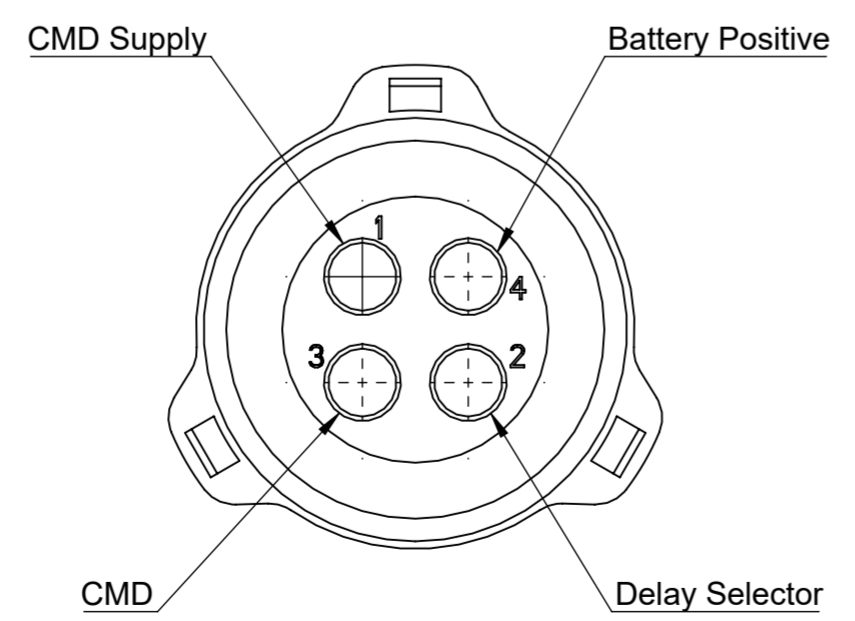
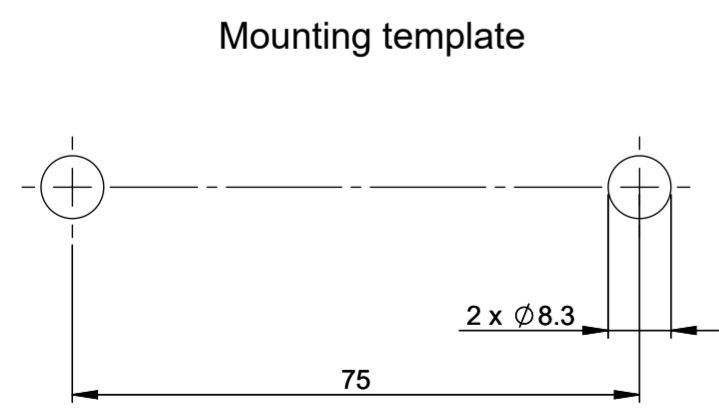


REV.		DESCRIPTION	DATE	GCF / ECR	DESIGNED	APPROVED
A		Initial Release	27/07/2022		L.Dal Molin	M.Tinto



- CHARACTERISTICS**
- Nominal operating voltage: 12 - 24V
 - Working voltage: 13.2 - 28V
 - Maximum direct current on main contacts: 250A
 - Short time maximum current on main contacts: 2000A for 5 sec.
 - Number of electrical and mechanical cycles: 45.000
 - Locking torque for nuts M10: 18 ± 1 Nm
 - Fix the device to the structure by means of M8 screws with locking torque: 10 ± 2 Nm
 - Supplying state: main bridge open



DIMENSIONS AND TOLERANCES IN MILLIMETERS, DEFINED ACCORDING TO ISO 1101-2017.	
linear dimensions	
0,5 3	>3 6
±0,2	±0,3
>6 30	>120 400
±0,5	±0,8
>400 1000	>1200 2000
±1,2	±2
±3	
angle (for range of lengths)	
up to 10	>10 50
±1°30'	±1°
>50 120	>120 400
±0°30'	±0°15'
● FIT/ FUNCTION CRITICAL CHARACTERISTICS SYMBOL <S> SAFETY/ COMPLIANCE CRITICAL CHARACTERISTICS SYMBOL CPK DENOTES CPK DIMENSIONS MINIMUM CPK VALUE (ST) DENOTES A CHARACTERISTIC THAT PROVIDES AN INDICATION OF PROCESS PERFORMANCE.PROCEDURE FOR MEASUREMENT AND TRACKING TO BE DEFINED IN LITTELFUSE INSPECTION INSTRUCTIONS CP DENOTES CP DIMENSIONS. MINIMUM CP VALUE MUST BE WITHIN THE DIMENSIONAL LIMITATIONS SHOWN ON DRAWING AND INITIALLY LOCATED TO ALLOW FOR MAXIMUM TOOL LIFE	
NAME	DATE
DRAWN L. Dal Molin	27 Jul 2022
CHECKED -	-
Expertise Applied Answers Delivered	
FORM NO. CVP-PE40-0013 REV A	TITLE
FIRST ANGLE PROJECTION	Electrical Bms Tgc/Rme-MS3 12V-24V (-)
SIZE: A2	DWG. NO. OL-08070600
DO NOT SCALE DRAWING	SCALE 1:1
	SHEET 1 OF 1