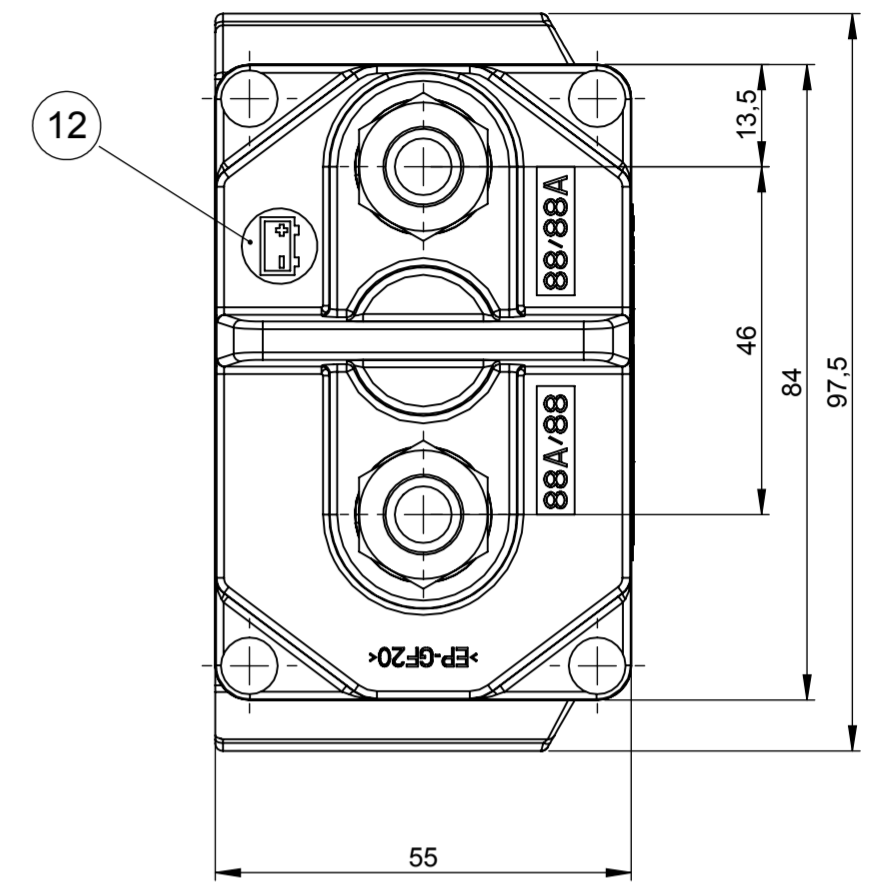
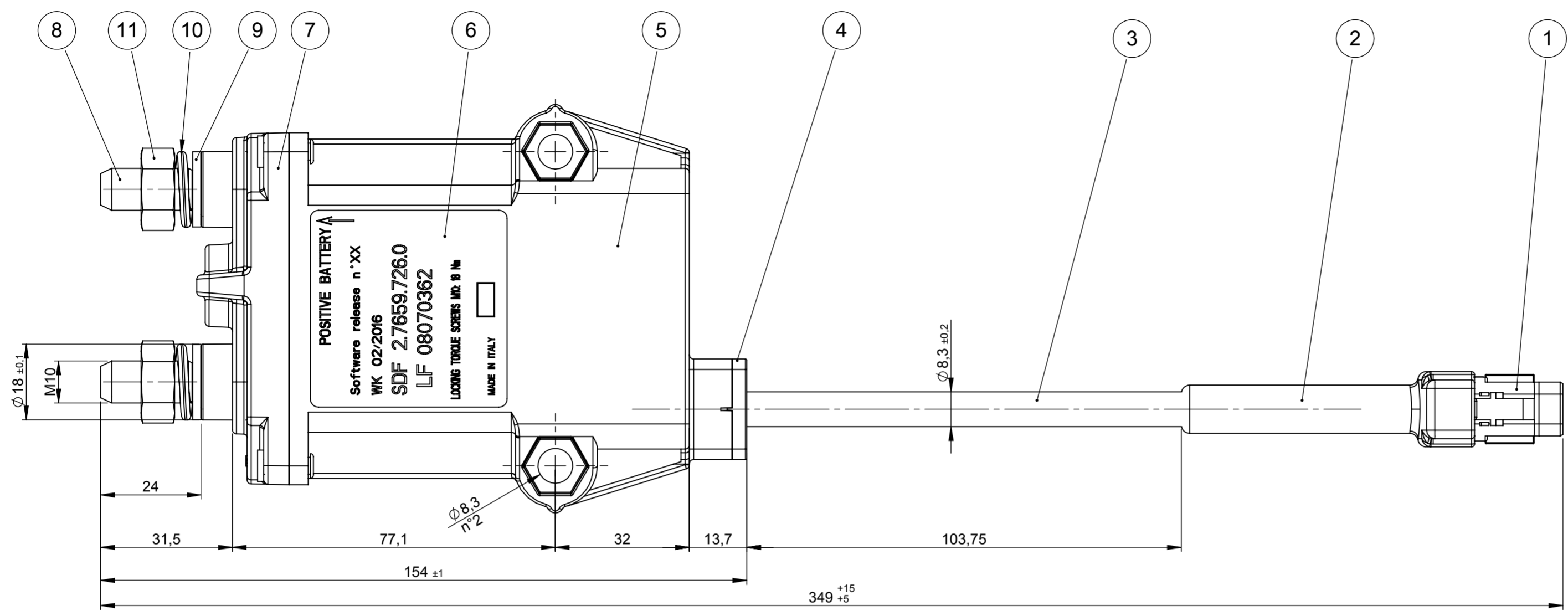


THIS DRAWING AND THE INFORMATION CONTAINED WITHIN IT ARE CONFIDENTIAL AND MAY NOT BE COPIED OR DISCLOSED WITHOUT THE WRITTEN PERMISSION OF LITTELFUSE.

REV.		DESCRIPTION	DATE	GCF / ECR	DESIGNED	APPROVED
A		EMISSIONE	08/05/2019		GASPARINI	CROVETTI



**LEGENDA**

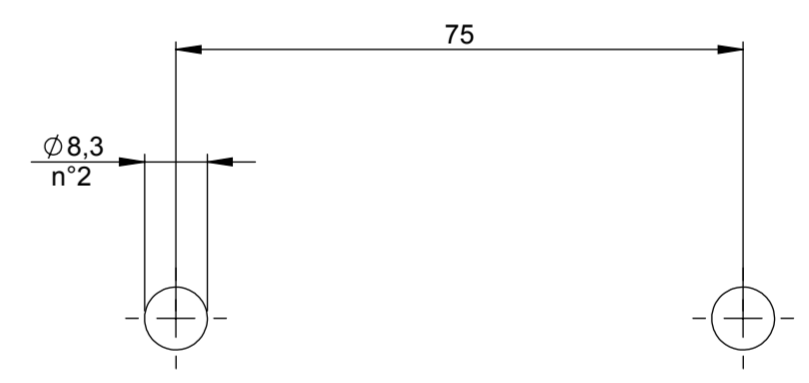
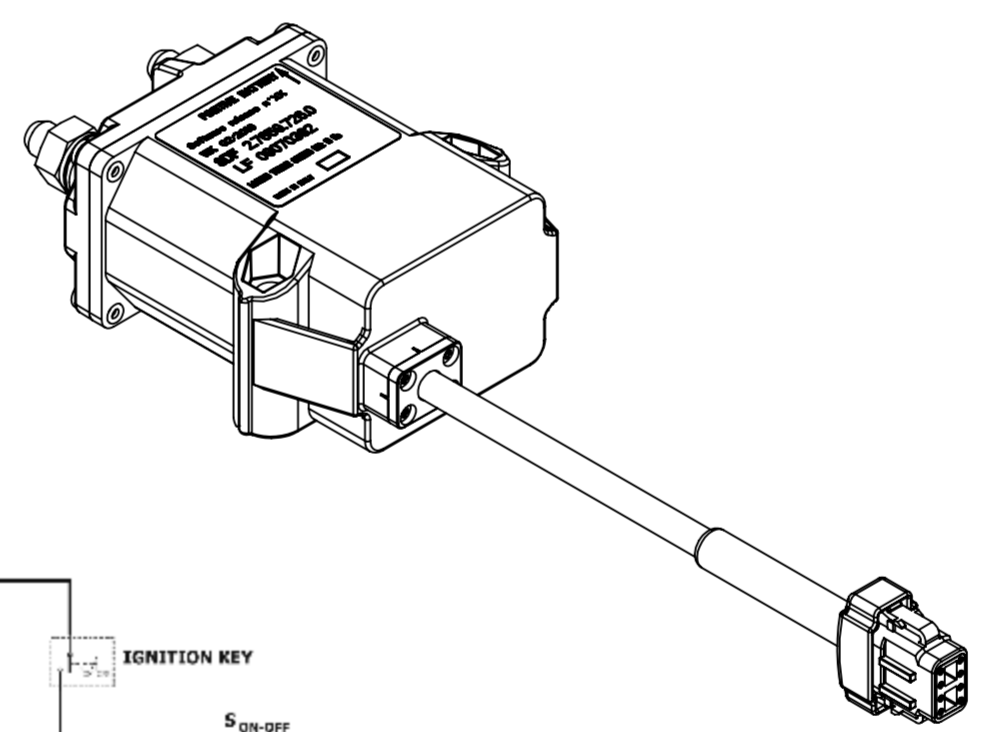
- 1 Plug connector for socket contacts 8 ways DEUTSCH DTM06-08SA in thermoplastic colour grey
- 2 Rear cap DEUTSCH DTM8S-BT in rubber colour grey
- 3 7 ways waterproof wiring (7x1mm<sup>2</sup>)
- 4 Cable gland cover in thermoplastic PBT colour black
- 5 Box in thermoplastic PBT colour black
- 6 Adhesive indestructible label with manufacturing week and year, P/N and software release
- 7 Contacts holder cover in epoxy resin colour black
- 8 M10 main contacts in silver plated copper
- 9 Plane washer in Nickel plated brass
- 10 spring washer in Nickel plated bronze
- 11 M10 nut in Nickel plated brass
- 12 Red label battery pole

**FEATURES**

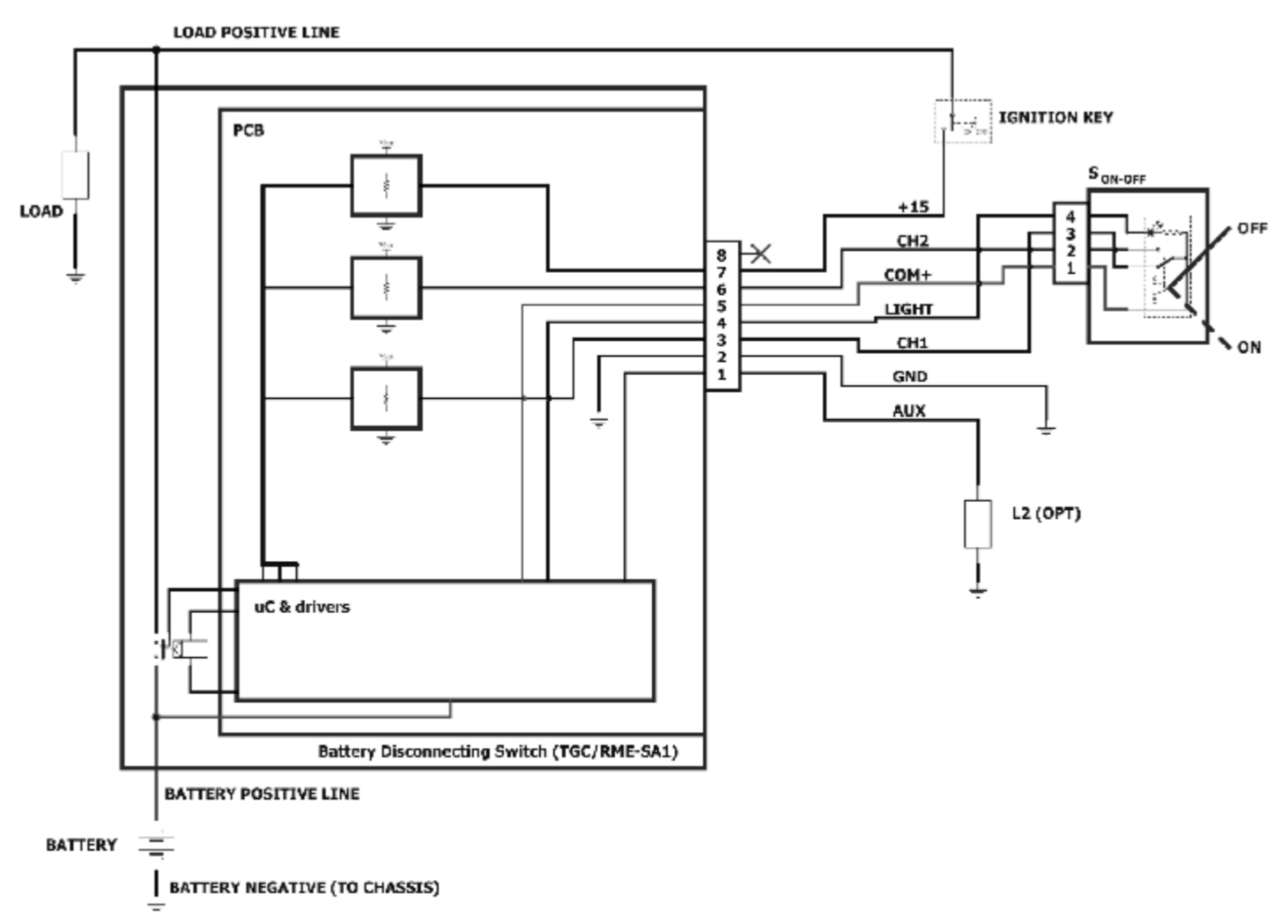
- Nominal working voltage V<sub>n</sub> = 12V
- Min. switch voltage V<sub>min</sub> = 9.5V
- Max continuous current I<sub>max</sub> = 250A
- Max current x 30 sec I = 800A
- Max current x 5 sec I = 2000A
- Operating temperature range T = -40 ÷ +85 °C

**NOTES**

- Supplying state: main contact open
- Fit the device to the structure by means of screws M8 with locking torque 10 ± 2Nm



**DIMA DI MONTAGGIO**  
Mounting template



**SAP drawing number**

DIMENSIONS AND TOLERANCES IN MILLIMETERS, DEFINED ACCORDING TO ISO 1101-2017.	
●	FIT/ FUNCTION CRITICAL CHARACTERISTICS SYMBOL
<S>	SAFETY/ COMPLIANCE CRITICAL CHARACTERISTICS SYMBOL
CPK	DENOTES CPK DIMENSIONS MINIMUM CPK VALUE
ST	DENOTES A CHARACTERISTIC THAT PROVIDES AN INDICATION OF PROCESS PERFORMANCE PROCEDURE FOR MEASUREMENT AND TRACKING TO BE DEFINED IN LITTELFUSE INSPECTION INSTRUCTIONS
CP	DENOTES CP DIMENSIONS - MINIMUM CP VALUE MUST BE WITHIN THE DIMENSIONAL LIMITATIONS SHOWN ON DRAWING AND INITIALLY LOCATED TO ALLOW FOR MAXIMUM TOOL LIFE
TOLERANCES UNLESS OTHERWISE SPECIFIED: ONE PLACE DECIMAL ± 0.5      THREE PLACES DECIMAL ± 0.100 TWO PLACES DECIMAL ± 0.20      ANGULAR ± 2'	
NAME	DATE
DRAWN: F. Gasparini	08/05/2019
CHECKED: -	-
<b>Littelfuse</b> Expertise Applied   Answers Delivered	
FORM NO. CVP-PE40-0012 REV A	TITLE: Electrical BMS TGC/RME-SA1 12V 1hr
FIRST ANGLE PROJECTION	SIZE: A2      DWG. NO. OL-08070362      REV. A
DO NOT SCALE DRAWING	SCALE 1:1      SHEET 1 OF 1