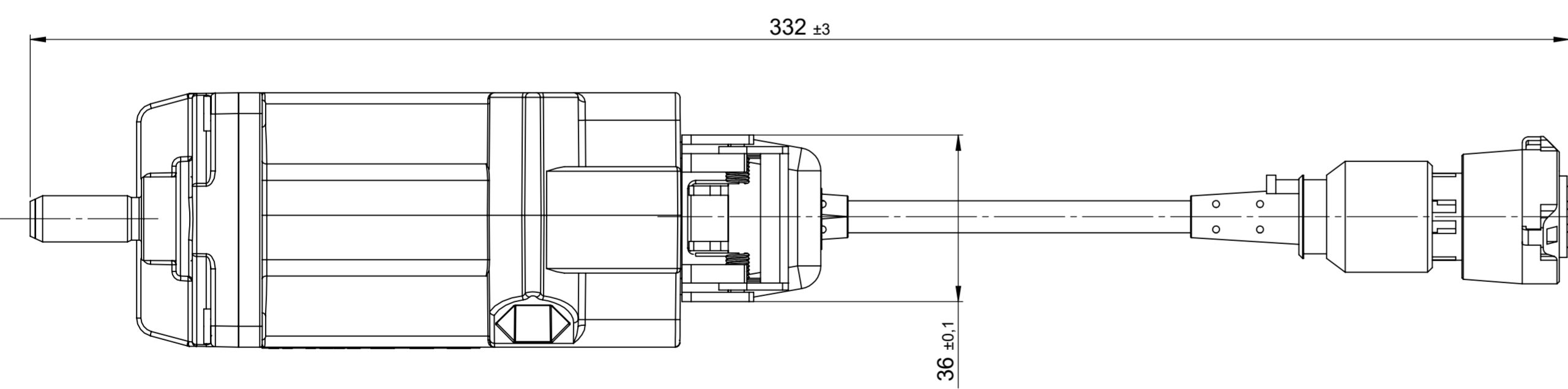
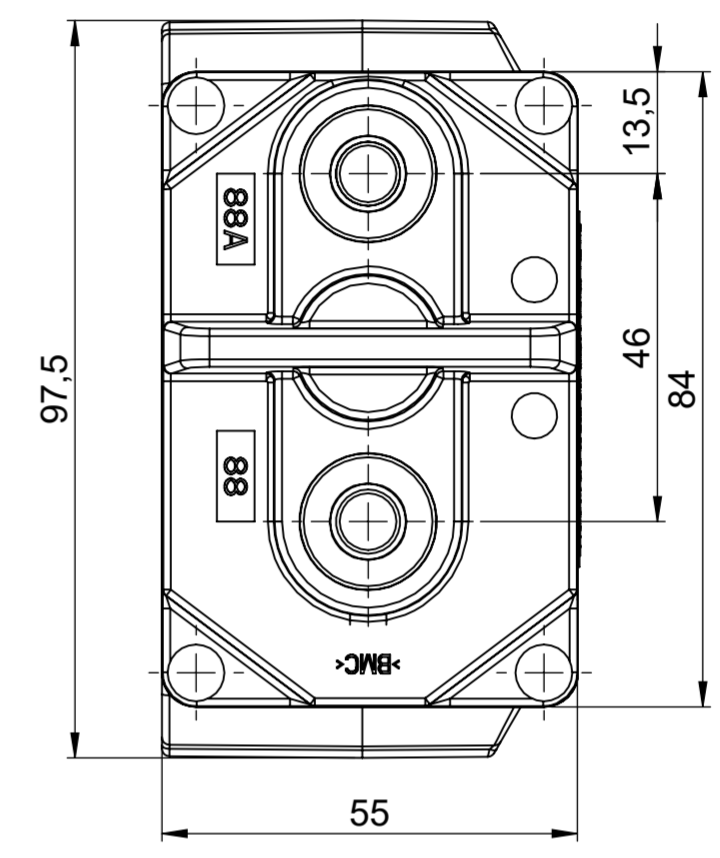
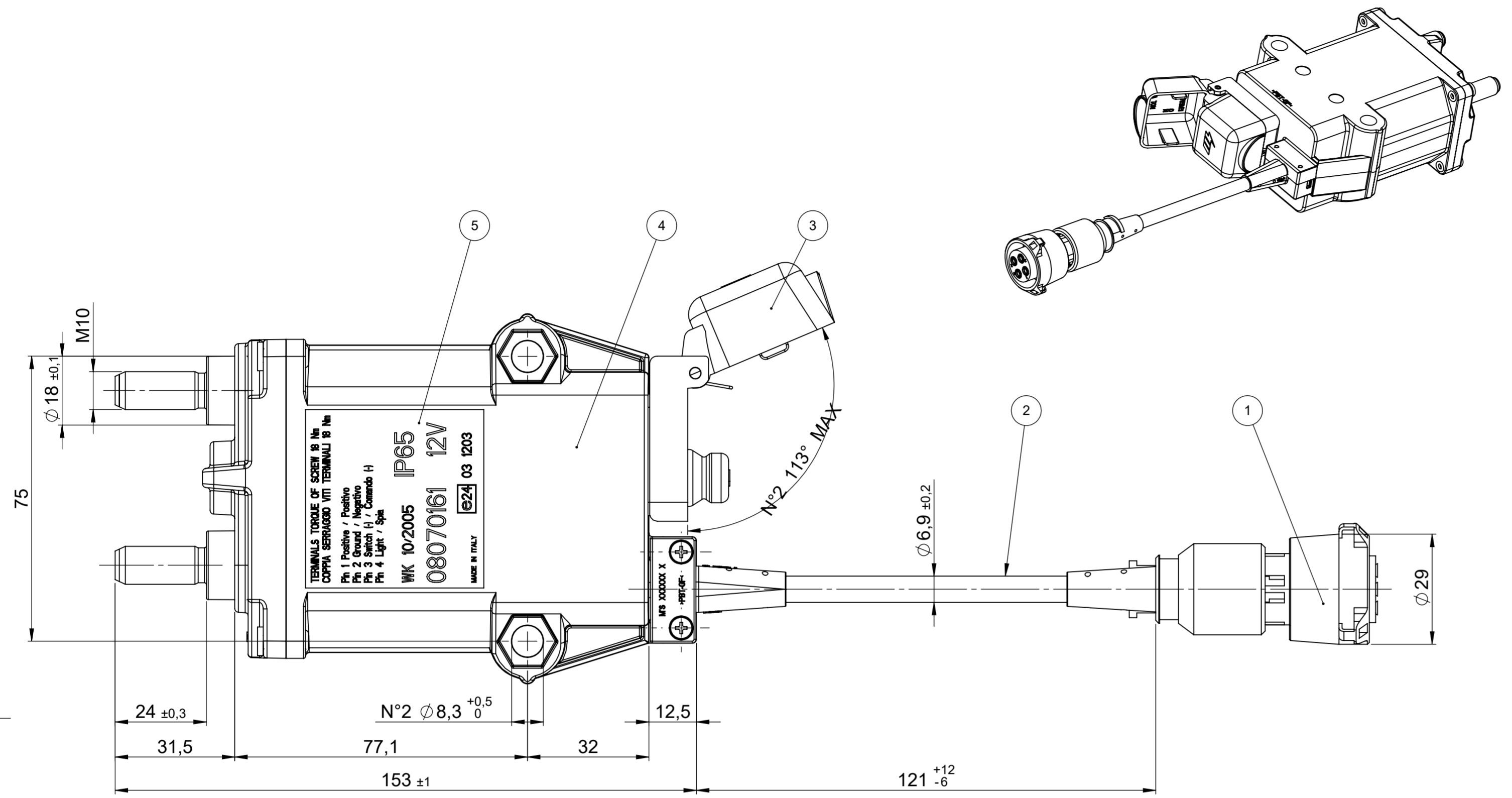


THIS DRAWING AND THE INFORMATION CONTAINED WITHIN IT ARE CONFIDENTIAL AND MAY NOT BE COPIED OR DISCLOSED WITHOUT THE WRITTEN PERMISSION OF LITTELFUSE.

REV.		DESCRIPTION	DATE	DESIGNED	APPROVED
A		FIRST ISSUE OF OUTLINE DRAWING	08-June-20	Gasparini	Tinto



- Legend**
- 1) 4-ways plug connector in according to DIN 72585-1:1996 in black thermoplastic PBT
 - 2) 4 ways wiring
 - 3) Cover in PA6
 - 4) Body battery switch
 - 5) Adhesive label showing: week and year of production, part number, component supplier part number and pin-out connections

CHARACTERISTICS AND PRESCRIPTIONS

- Rated voltage 9 + 16V
- Max direct current 300A
- Max short time current 2000A for 5 sec at 23°C

- Mechanical operations cycles 45000 at 23°C
- Delivery conditions: open main contacts
- Tightening torque nuts M10 and washers supplier 18 ±1 Nm
- Secure the device to the structure using screws M8 with torque 10 ±2Nm
- It is recommended to connect the device with the mating connector kit 4 way LITTELFUSE

SAP drawing number:

Material and treatments:

DIMENSIONS AND TOLERANCES IN MILLIMETERS, DEFINED ACCORDING TO ISO 1101-2017.	
linear dimensions	
0,5 3 ±0,2	>3 6 ±0,3
>6 30 ±0,5	>30 120 ±0,8
>120 400 ±1,2	>400 1000 ±2
>1200 2000 ±3	
angle (for range of lengths)	
up to 10	>10 50
>50 120	>120 400
>120 400	>1200 2000
±1°30'	±1°
	±0°30'
	±0°15'
●	FIT/ FUNCTION CRITICAL CHARACTERISTICS SYMBOL
<S>	SAFETY/ COMPLIANCE CRITICAL CHARACTERISTICS SYMBOL
CPK	DENOTES CPK DIMENSIONS MINIMUM CPK VALUE
ST	DENOTES A CHARACTERISTIC THAT PROVIDES AN INDICATION OF PROCESS PERFORMANCE.PROCEDURE FOR MEASUREMENT AND TRACKING TO BE DEFINED IN LITTELFUSE INSPECTION INSTRUCTIONS
CP	DENOTES CP DIMENSIONS. -MINIMUM CP VALUE MUST BE WITHIN THE DIMENSIONAL LIMITATIONS SHOWN ON DRAWING AND INITIALLY LOCATED TO ALLOW FOR MAXIMUM TOOL LIFE
DRAWN	L. Dal Molin 29/04/2019
CHECKED	-
Littelfuse Expertise Applied Answers Delivered	
FORM NO. CVP-PE40-0013 REV A	TITLE ELECTRICAL MAIN BATTERY SWITCH
FIRST ANGLE PROJECTION	12V POS.(+)
SIZE: A2	SCALE 1:1
DO NOT SCALE DRAWING	OUTLINE REV. A
	OL-08070161
	SHEET 1 OF 1