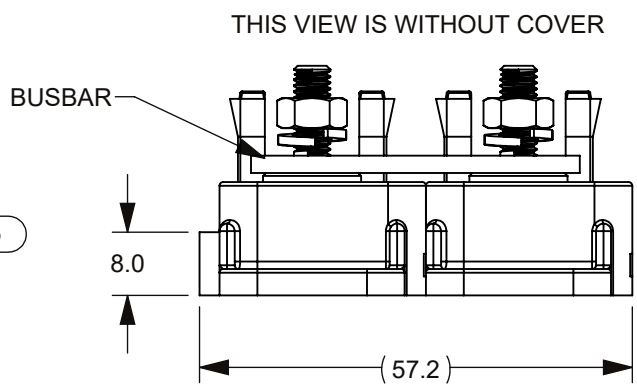
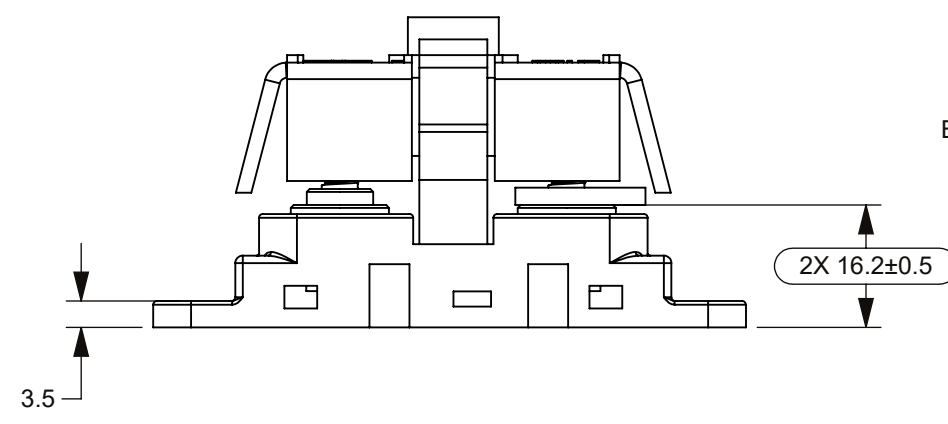
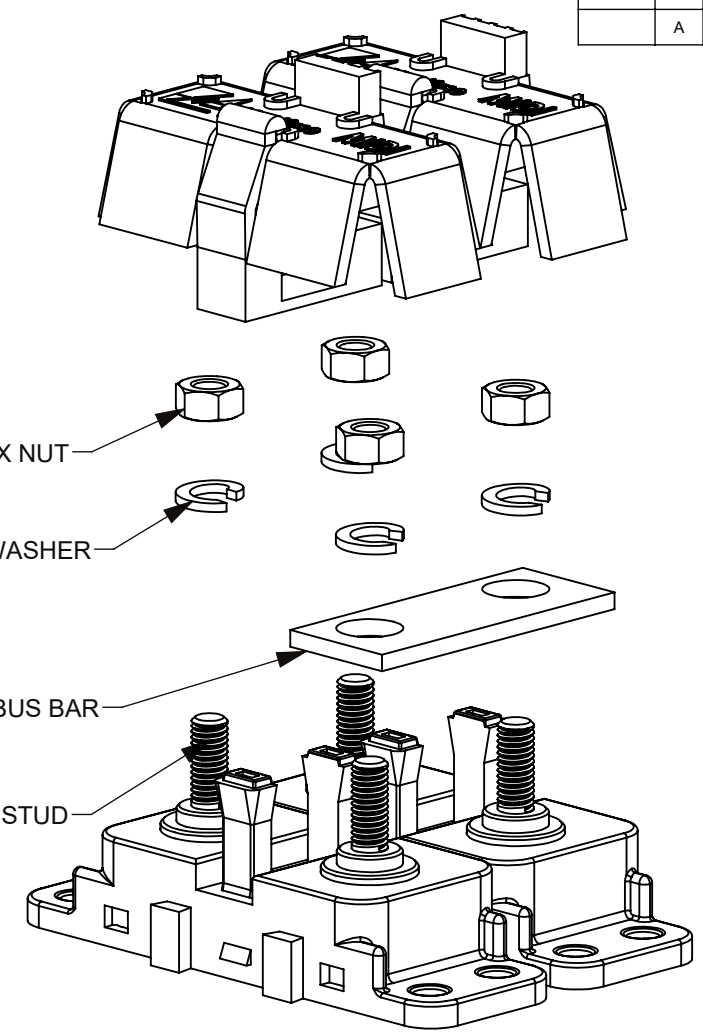
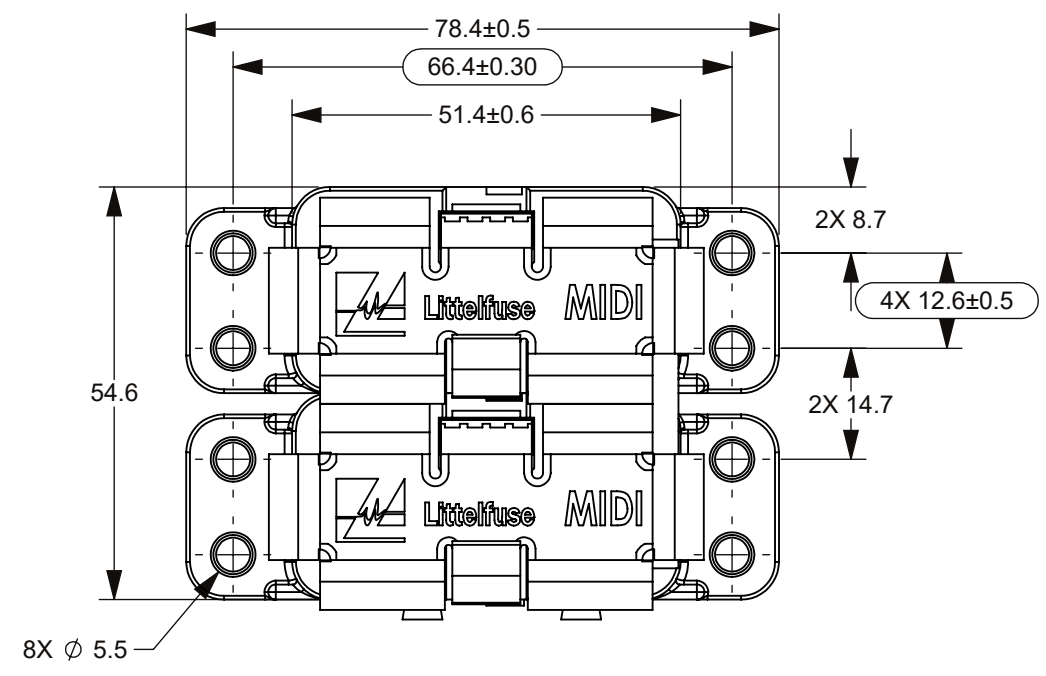


THIS DRAWING AND THE INFORMATION CONTAINED WITHIN IT ARE CONFIDENTIAL AND MAY NOT BE COPIED OR DISCLOSED WITHOUT THE WRITTEN PERMISSION OF LITTELFUSE.

REVISIONS				
ZONE	REV.	DESCRIPTION	DATE	APPROVED
	A	PCO #5300036. INITIAL RELEASE. DSILVA.	3/8/2022	L.ARGIL



- NOTES:
- MATERIAL:
 - BASE: NYLON66
 - BUSBAR: COPPER ALLOY
 - COVER: THERMOPLASTIC VULCANIZATE (TPV)
 - M5 STUDS: M5X0.8 STEEL ALLOY, ZINC PLATING
 - HEX NUTS: M5X.8 STAINLESS STEEL
 - WASHERS: SPLIT, M5 CARBON STEEL
 - M5 STUD TORQUE: 10 NM MINIMUM
 - MOUNTING TAB TORQUE: 10 NM MINIMUM USING M4 HARDWARE
 - MAX FLASH: 0.2mm

NO.	COMPONENT NO.	COMPONENT NAME	QTY	UM
2	-	MIDI FLEX HOLDER SA	2	EA
1	882-267-002	2 POSITION BUS BAR	1	EA

TOLERANCES UNLESS OTHERWISE SPECIFIED (REF. ISO 2768-mK)										
.5 to 3	>3 to 6	>6 to 30	>30 to 120	>120 to 400						ANGLE
±0.10	±0.10	±0.20	±0.30	±0.50						NONE

UNLESS OTHERWISE SPECIFIED, DIMENSIONS ARE SHOWN IN MILLIMETERS. DIMENSIONS IN BRACKETS [] ARE INCHES

PER CHI-NPD20-0008 PROCEDURE	SYMBOL	DESCRIPTION
●		FIT/ FUNCTION CRITICAL CHARACTERISTICS
<S>		SAFETY/ COMPLIANCE CRITICAL CHARACTERISTICS SYMBOL
CPK		DENOTES CPK DIMENSIONS MINIMUM CPK VALUE
ST		DENOTES A CHARACTERISTIC THAT PROVIDES AN INDICATION OF PROCESS PERFORMANCE. PROCEDURE FOR MEASUREMENT AND TRACKING TO BE DEFINED IN LITTELFUSE INSPECTION INSTRUCTIONS
CP		DENOTES CP DIMENSIONS. -MINIMUM CP VALUE MUST BE WITHIN THE DIMENSIONAL LIMITATIONS SHOWN ON DRAWING AND INITIALLY LOCATED TO ALLOW FOR MAXIMUM TOOL LIFE

NAME	DATE	<p>Expertise Applied Answers Delivered</p>
DRAWN DSILVA	2/2/2022	
CHECKED	-	TITLE
		FLEX-MIDI FUSE HOLDER 2 POSITION ASSY (NO FUSE)
		FORM NO: CVP-PE40-0003 REV B
		THIRD ANGLE PROJECTION
	SIZE B	DWG. NO. OL-04982001ZXFC
DO NOT SCALE DRAWING	SCALE 1:1	REV. A
		SHEET 1 OF 1