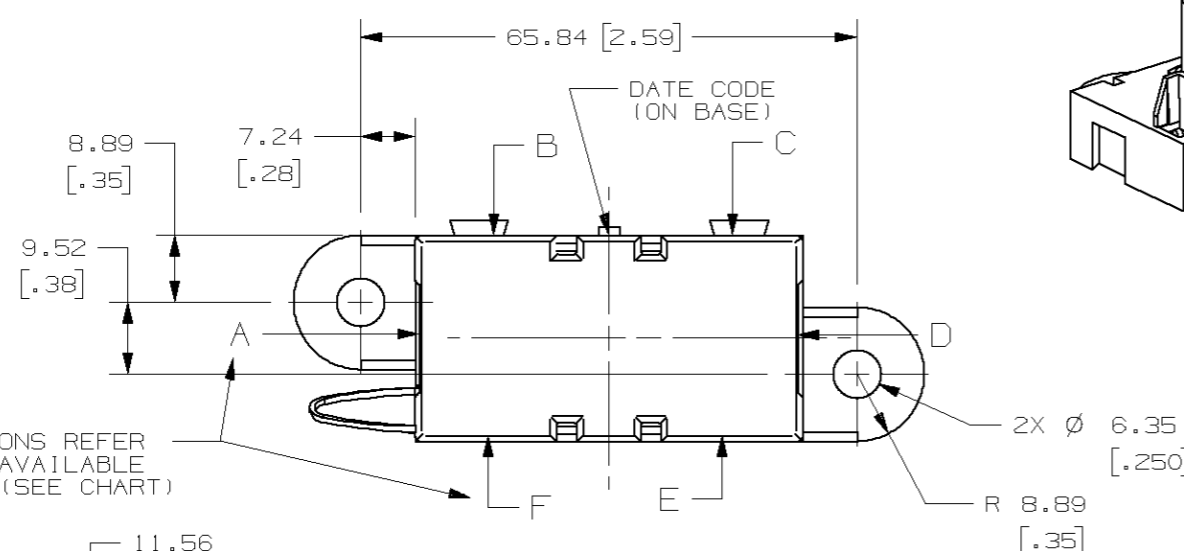
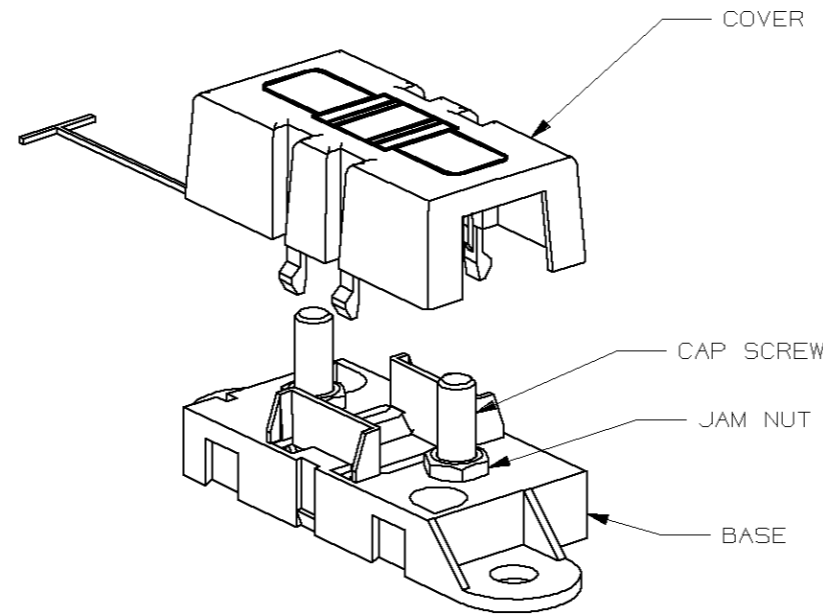
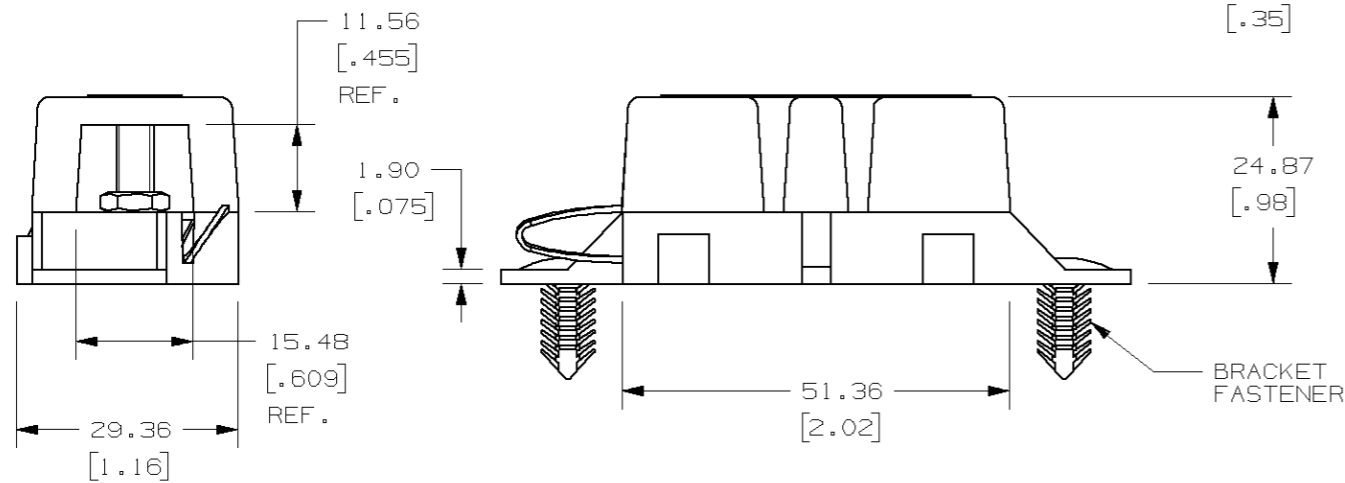


PART NUMBER	COVER OPENINGS
04980916ZXT	A D

MATERIAL:
 *BODY - GLASS FILLED THERMOPLASTIC: COLOR-BLACK
 *COVER - THERMOPLASTIC: COLOR-BLACK
 *HARDWARE - 5M THREADED STUDS & NUTS AND STEEL LOCKWASHER WITH ZINC AND TRIVALENT CHROMATE, LEACHED AND SEALED, INTEGRAL TORQUE CONTROL LUBRICANT FINISH (MEETS ASTM STANDARD B-117, 96 HR. SALT SPRAY REQUIREMENTS).
 04980902ZXT:
 *HARDWARE - 5M THREADED STUDS & NUTS WITH INTEGRAL LOCKWASHER WITH ZINC AND TRIVALENT CHROMATE, LEACHED AND SEALED, INTEGRAL TORQUE CONTROL LUBRICANT FINISH (MEETS ASTM STANDARD B-117, 96 HR. SALT SPRAY REQUIREMENTS).



LETTER DESIGNATIONS REFER TO POSITIONS OF AVAILABLE COVER OPENINGS. (SEE CHART)



NOTES:

- TAB COVER TIE IS INSERTED INTO HOLE IN BASE.
- TORQUE REQUIRED FOR TOP NUT (NOT SHOWN) TO BE 4.0 - 5.0 NEWTON METERS (35-44 IN-LBS).
- CAP SCREW AND JAM NUT - M5 X 0.8 STEEL, ZINC PLATE WITH TRIVALENT CHROMATE, LEACHED AND SEALED, INTEGRAL TORQUE CONTROL LUBRICANT FINISH (MEETS 96 HR. ASTM STD. B-117 SALT SPRAY REQ.).
- HOLDER MEETS L/F VALIDATION TEST SPEC. VS-005004.

METRIC

UNLESS OTHERWISE SPECIFIED, DIMENSIONS ARE IN MILLIMETERS. DIMENSIONS IN BRACKETS [] ARE INCHES
 UNLESS OTHERWISE SPECIFIED, DIMENSIONS DO NOT INCLUDE PLATING.
 © DENOTES CRITICAL CHARACTERISTICS.
 CPK DENOTES CPK DIMENSIONS, -MINIMUM CPK VALUE
 (ST) DENOTES A CHARACTERISTIC THAT PROVIDES AN INDICATION OF PROCESS PERFORMANCE. PROCEDURE FOR MEASUREMENT AND TRACKING TO BE DEFINED IN LITTELFUSE INSPECTION INSTRUCTIONS
 CP DENOTES CP DIMENSIONS, -MINIMUM CP VALUE MUST BE WITHIN THE DIMENSIONAL LIMITATIONS SHOWN ON DRAWING AND INITIALLY LOCATED TO ALLOW FOR MAXIMUM TOOL LIFE

NO COMPONENT NO		DESCRIPTION		QTY/M	U/M
BILL OF MATERIAL					
MATERIAL SPEC		FINISH			
COPIES TO		DATE	SCALE	DATE	GRAMS/PIECE
1	9	09/25/07	1:1	09/25/07	
2	10				
3	12				
4	13				
5	14				
6	15				
7	16				
8	17				
TOLERANCE UNLESS OTHERWISE SPECIFIED ONE PLACE DEC +/- .25 THREE PLACE DEC +/- .100 ANGULAR +/- 1°					
3RD ANGLE PROJECTION					
TITLE MIDIFUSE HOLDER					
REVISION DRWG. NO. 04980916ZXT					
DES PLAINES, ILLINOIS 60016					
LTR	DATE	REVISION	CHK	APD	
A	09/25/07	000164ER - RELEASED	GMB		
B	02/13/08	000476EC/D-ADD MATERIAL DATA NOTE	GMB		