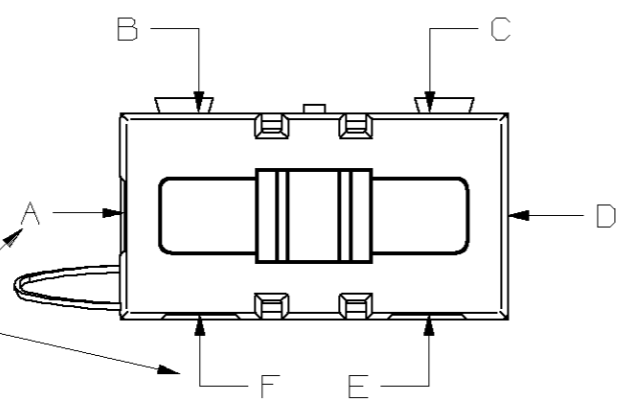
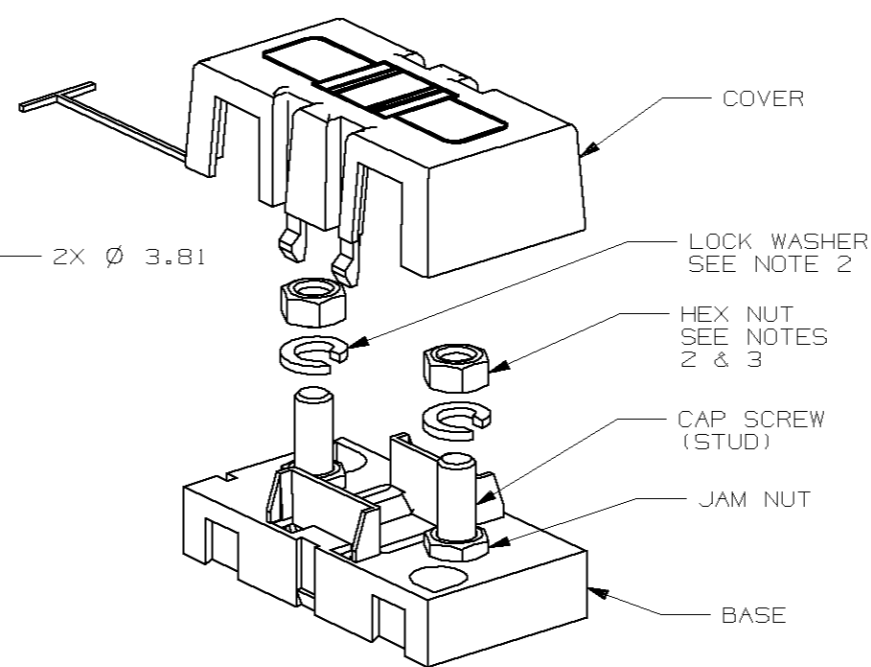
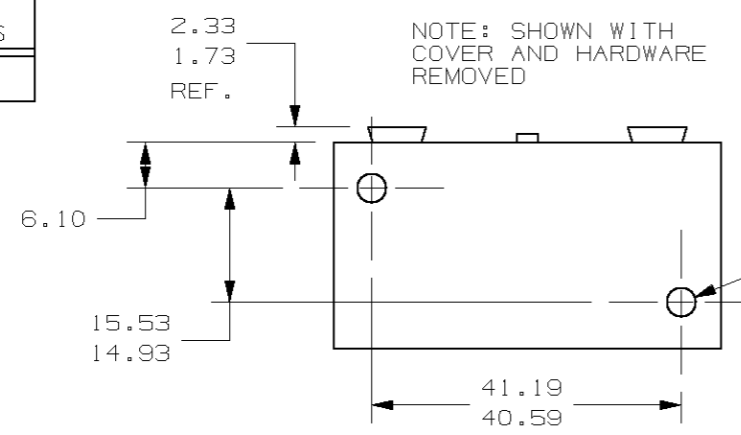
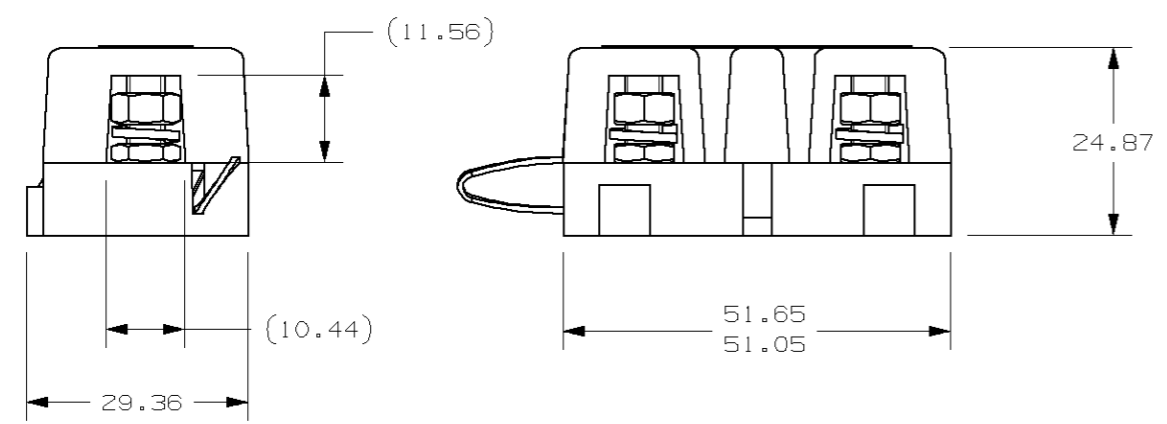


PART NUMBER	COVER OPENINGS
04980912ZXT	A E F



LETTER DESIGNATIONS REFER TO POSITIONS OF AVAILABLE COVER OPENINGS. (SEE CHART)



NOTES:

- TAB OF COVER TIE IS INSERTED INTO HOLE IN BASE.
- WASHERS AND NUTS ARE MANUALLY ASSEMBLED ONTO STUD AND NUTS ARE FINGER TIGHTENED ANYWHERE BELOW TOP OF STUD.
- TORQUE REQUIRED FOR HEX NUT IN USER APPLICATION TO BE 4.0 - 5.0 NEWTON METERS (35-44 IN-LBS).
- HOLDER MEETS L/F VALIDATION SPECIFICATION VS-005004.
- CAP SCREWS AND NUTS - M5 X 0.8 - AND WASHERS, STEEL, ZINC PLATED WITH TRIVALENT CHROMATE LEACHED AND SEALED, INTEGRAL TORQUE CONTROL LUBRICANT FINISH (MEETS 96 HR. ASTM STD. B-117 SALT SPRAY REQ.).

METRIC

NO		COMPONENT NO	DESCRIPTION	QTY/M	U/M
BILL OF MATERIAL					
COPIES TO		MATL SPEC			
1	9	18	FINISH		
2	10	19	SCALE	1:1	
3	12	20	DATE	04/27/05	
4	13	21	CHK	SUPER DR	
5	14	23	APPD	DATE	
6	15	33	FINISH	GOOD WT	
7	16	43	GRAMS/PIECE		
8	17	53	TOLERANCE UNLESS OTHERWISE SPECIFIED		
		ONE PLACE DEC +/- .25			
		THREE PLACE DEC +/- .100			
		ANGULAR +/- .1°			
		TWO PLACE DEC +/- .13			
3RD ANGLE PROJECTION		TITLE			
		MIDI FUSE HOLDER			
		REVISION DRWG. NO.			
		B 04980912ZXT			
		OUTLINE			
		LITTELFUSE			
		DES PLAINES, ILLINOIS 60016			
LTR	DATE	REVISION	CHK	APD	
A	04/27/05	61851 - RELEASE	DJG		
B	06/08/07	85460D-REDRAWN IN UG ADDED TOLERANCE TO DIMENSIONS GMB			

UNLESS OTHERWISE SPECIFIED, DIMENSIONS ARE IN MILLIMETERS. DIMENSIONS IN BRACKETS [] ARE INCHES

UNLESS OTHERWISE SPECIFIED, DIMENSIONS DO NOT INCLUDE PLATING.

⊙ DENOTES CRITICAL CHARACTERISTICS.

CPK DENOTES CPK DIMENSIONS, -MINIMUM CPK VALUE

ST DENOTES A CHARACTERISTIC THAT PROVIDES AN INDICATION OF PROCESS PERFORMANCE. PROCEDURE FOR MEASUREMENT AND TRACKING TO BE DEFINED IN LITTELFUSE INSPECTION INSTRUCTIONS

CP DENOTES CP DIMENSIONS, -MINIMUM CP VALUE MUST BE WITHIN THE DIMENSIONAL LIMITATIONS SHOWN ON DRAWING AND INITIALLY LOCATED TO ALLOW FOR MAXIMUM TOOL LIFE