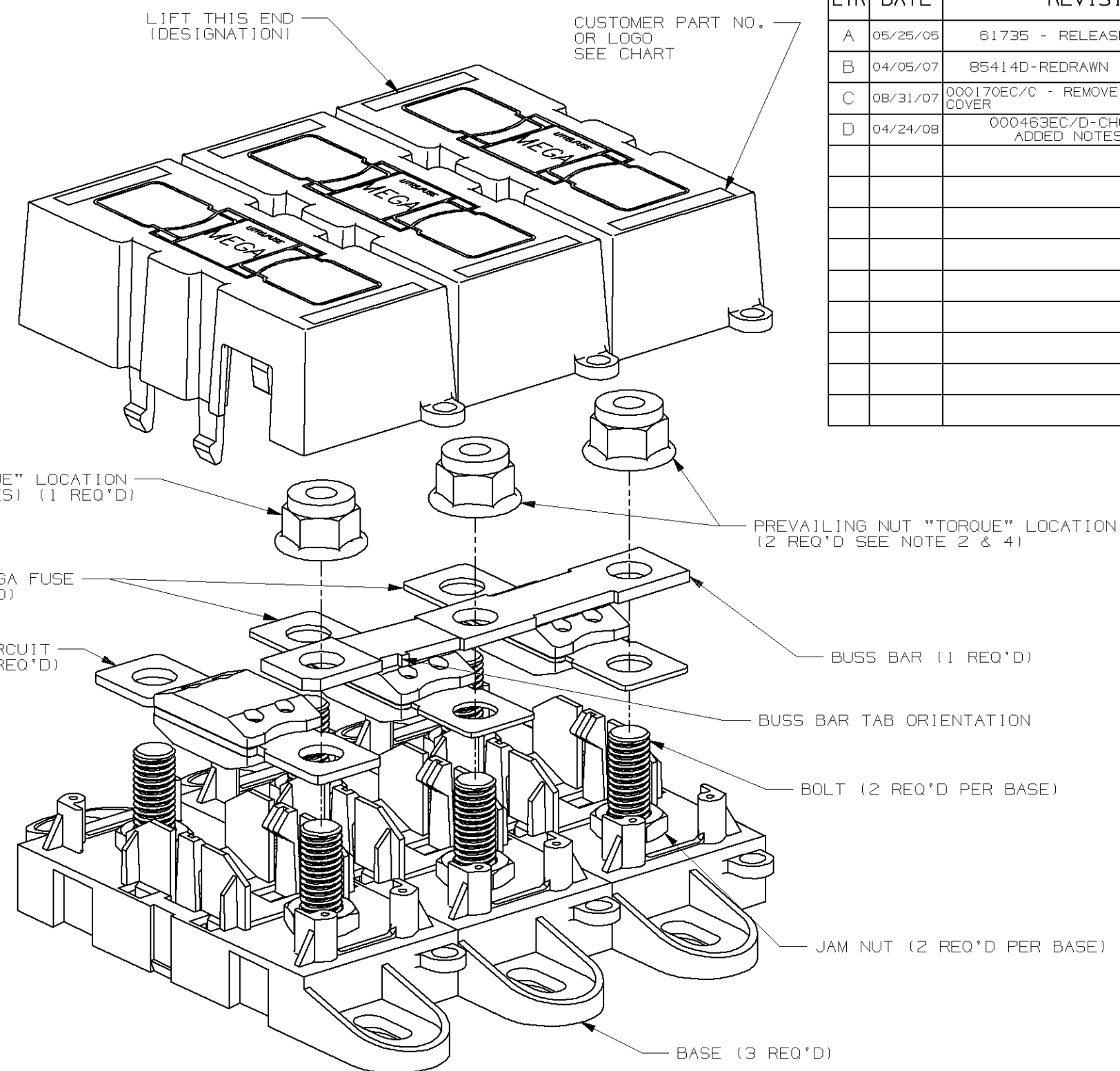
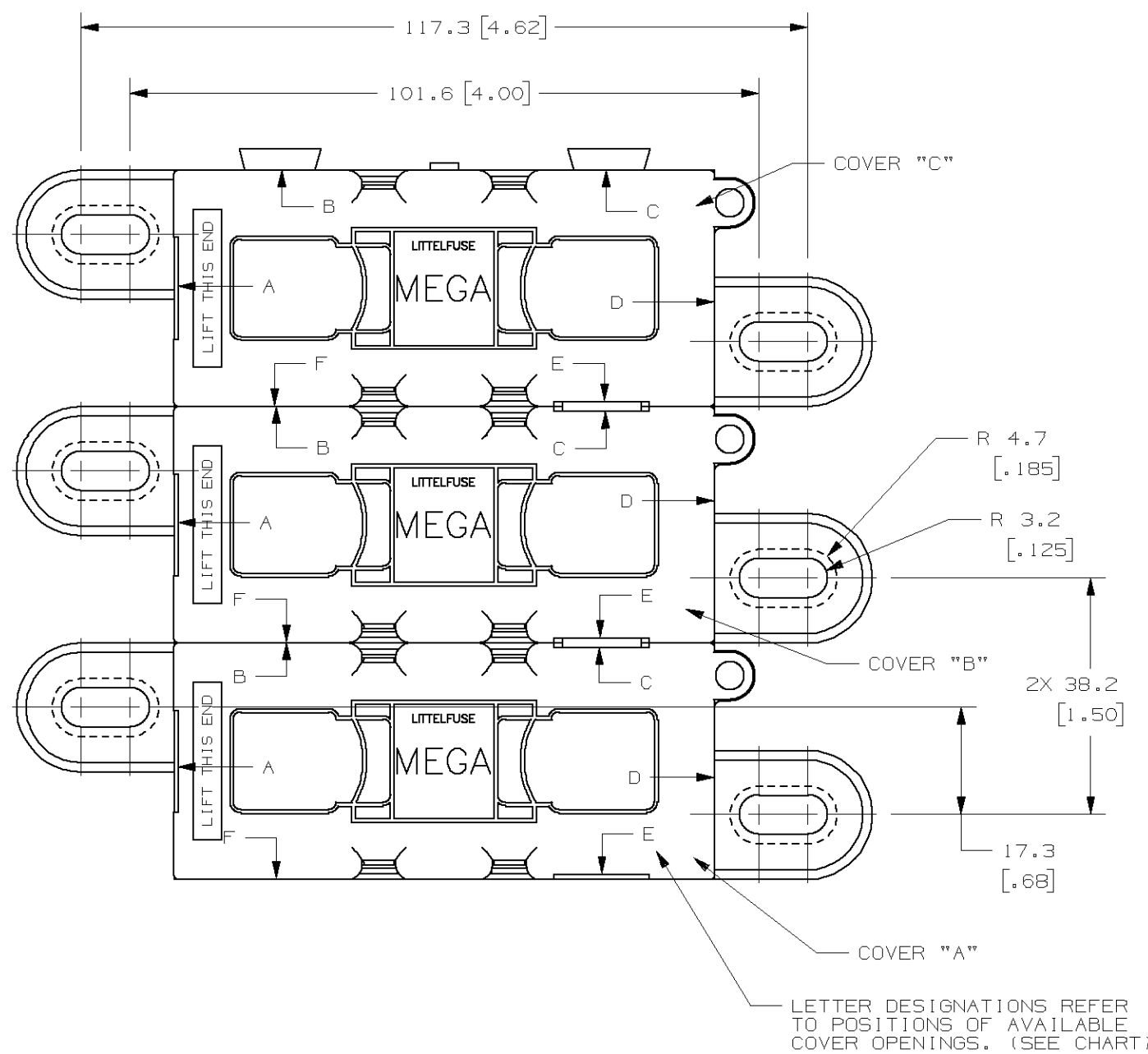
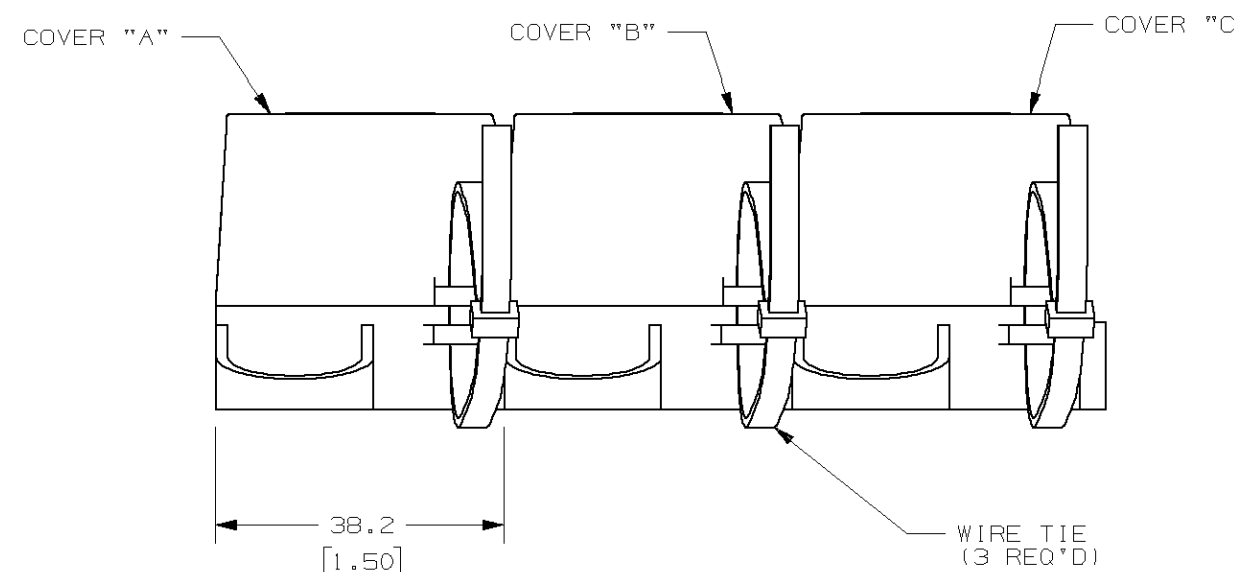
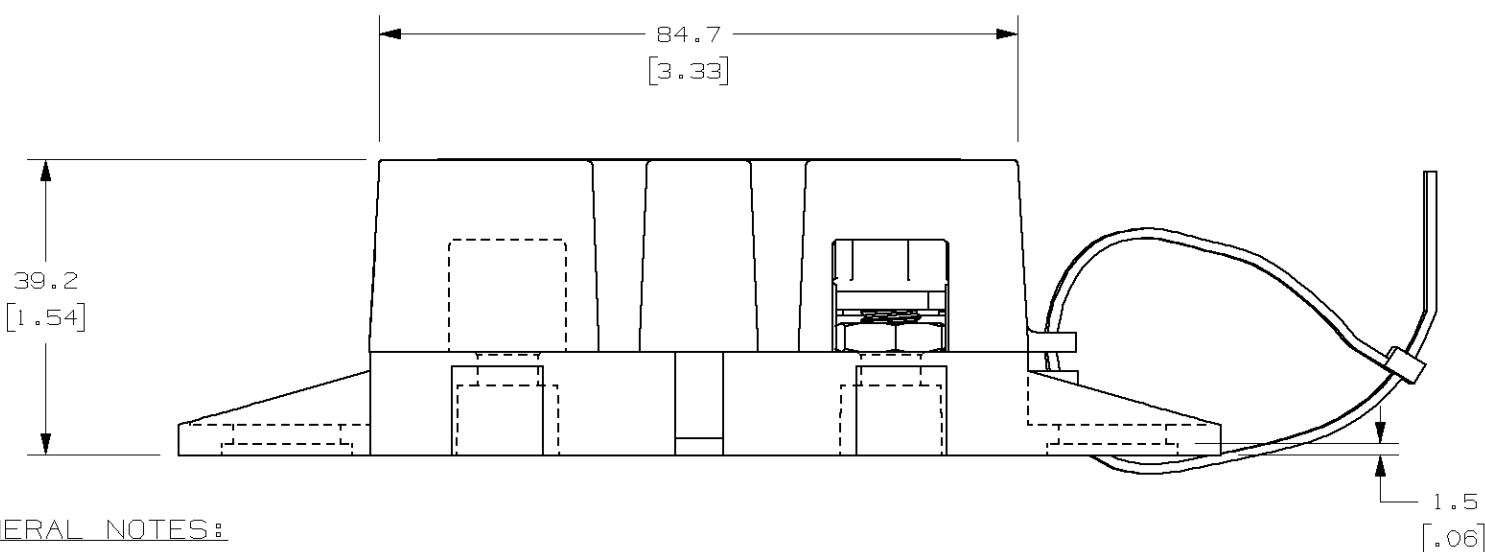


COVER PART	COVER OPENING POSITION
A	A C E
B	A C E
C	A E



LTR	DATE	REVISION	CHK	APD
A	05/25/05	61735 - RELEASED	GLAB	
B	04/05/07	85414D-REDRAWN IN UG	GMB	
C	08/31/07	000170EC/C - REMOVE USA FROM COVER	BRK	
D	04/24/08	000463EC/D-CHG. NOTE 2 ADDED NOTES	GMB	



GENERAL NOTES:

- COVER RETENTION TEST: MINIMUM FORCE OF 2 LBS. IS REQUIRED TO REMOVE COVER WHEN IT IS SUSPENDED UPSIDE DOWN. FORCE SHALL BE APPLIED THROUGH THE INNER HOLES (2) IN BASE. USE FIXTURE #T-C403 TO SUPPORT PART.
- TORQUE APPLIED TO ALL "TORQUE" LOCATIONS. TORQUE REQUIREMENTS FOR THE HEX NUT USED TO SECURE THE BUSSBAR OR THE CUSTOMER RING TERMINAL TO THE MEGA FUSE TO BE:
8mm NUT - 12-18 NEWTON METERS [106-159 IN-LBS]
- HOLDER MEETS L/F VALIDATION TEST SPEC. VS-005002.
- FLANGED LOCKNUT TO MEET THE FOLLOWING CRITERIA:
FORD PART NO. W520202
FINISH: S437.

MATERIALS:

- * BODY - GLASS FILLED THERMOPLASTIC
COLOR - BLACK
- * COVER - THERMOPLASTIC
COLOR - BLACK
- * WIRE TIE - THERMOPLASTIC
COLOR - BLACK
- * STUDS & NUTS - M8 X 1.25 STEEL ZINC PLATE WITH TRIVALENT CHROMATE, LEACHED AND SEALED, INTEGRAL TORQUE CONTROL LUBRICANT FINISH, (MEETS 96 HR. ASTM STD. B-117 SALT SPRAY REQ.)

- MANUALLY ASSEMBLE FLANGED PREVAILING NUT ONTO STUD UP TO THE BOTTOM OF THE PLASTIC INSERT IN THE NUT, FOR ALL "NO TORQUE" LOCATIONS.

NO	COMPONENT NO	DESCRIPTION	QTY/M	U/M
-	-	-	-	-
-	-	-	-	-
-	-	-	-	-

BILL OF MATERIAL

UNLESS OTHERWISE SPECIFIED, DIMENSIONS ARE IN MILLIMETERS. DIMENSIONS IN BRACKETS [] ARE INCHES				
UNLESS OTHERWISE SPECIFIED, DIMENSIONS DO NOT INCLUDE PLATING.				
⊙	DENOTES CRITICAL CHARACTERISTICS.			
CPK	DENOTES CPK DIMENSIONS. -MINIMUM CPK VALUE			
ST	DENOTES A CHARACTERISTIC THAT PROVIDES AN INDICATION OF PROCESS PERFORMANCE. PROCEDURE FOR MEASUREMENT AND TRACKING TO BE DEFINED IN LITTELFUSE INSPECTION INSTRUCTIONS			
CP	DENOTES CP DIMENSIONS. -MINIMUM CP VALUE MUST BE WITHIN THE DIMENSIONAL LIMITATIONS SHOWN ON DRAWING AND INITIALLY LOCATED TO ALLOW FOR MAXIMUM TOOL LIFE			
COPIES TO				
1	9	18	FINISH	
2	10	19		
3	12	20		
4	13	21	DRW	GLAB
5	14	23	DATE	05/25/05
6	15	33	SCALE	1:1
7	16	43	CHK	DATE
8	17	53	APPD	DATE
FINISH GOOD WT				
GRAMS/PIECE				

TOLERANCE UNLESS OTHERWISE SPECIFIED
ONE PLACE DEC +/- .3 THREE PLACE DEC +/- .100
TWO PLACE DEC +/- .25 ANGULAR +/- .1°

TITLE	REVISION	DRWG. NO.	OUTLINE
3 POLE MEGA HOLDER FOR 400A & TWO 175A	D	02983003ZXT	

METRIC

Littelfuse
DES PLAINES, ILLINOIS 60016

CAD GENERATED DRAWING - NO PENCIL CHANGES ALLOWED