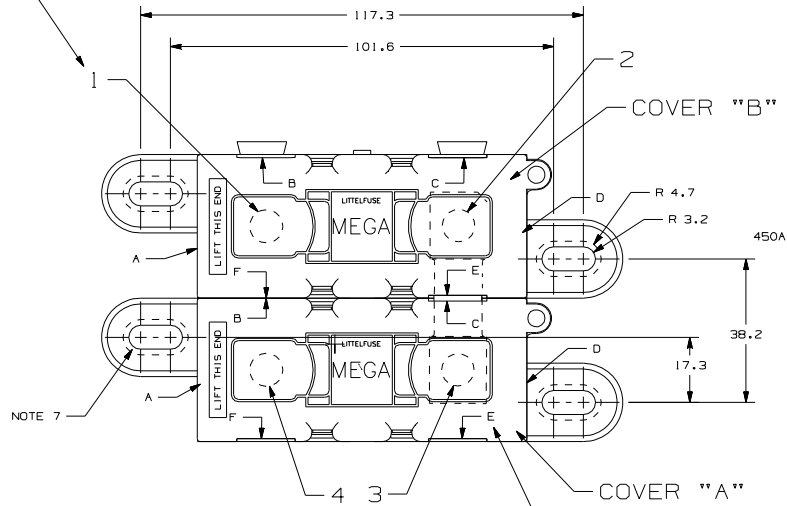


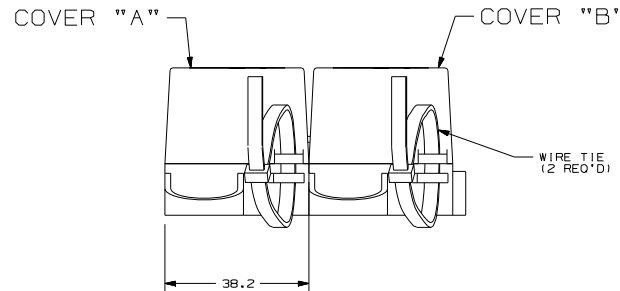
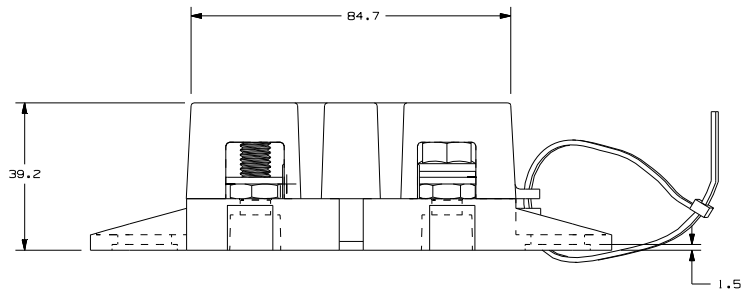
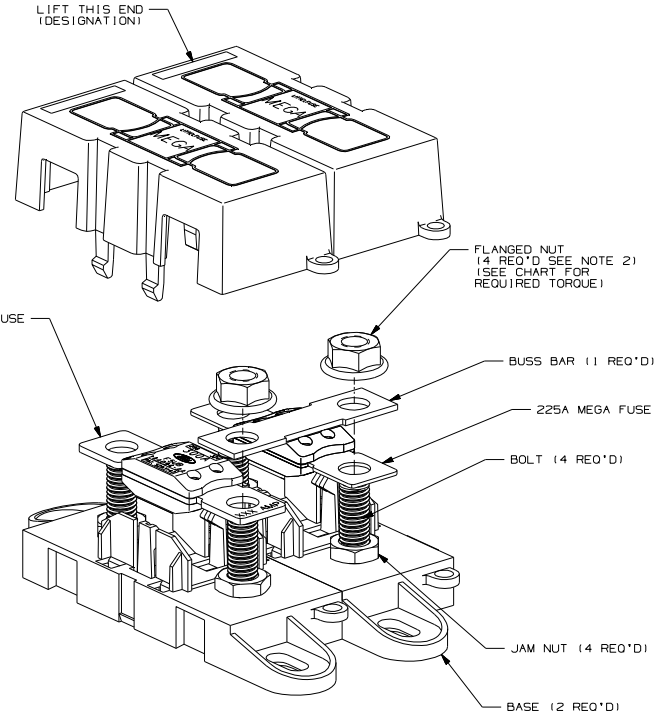
Partnumber	COVER "A" OPENING POSITION	COVER "B" OPENING POSITION	FLANGED NUT LOCATION	TORQUE LOCATION NOTE (3)	"NO TORQUE" LOCATION NOTE (5)	FUSE RATING IN LOCATION "A"	FUSE RATING IN LOCATION "B"
Littlefuse 02982010ZXT	JLR CK52-14A607-AA	C E F	B C E	2 3	-	2 3	450 A 225 A

LTR	DATE	REVISION	CHK	APD
A	02/04/11	501589ERA-RELEASED	OPL	
B	18.Feb.2011	501674ECA - ADD LF * JLR PART NUMBER TO DRAWING	PJ	
C	08/17/11	503068ECA-SEE ECO	GMB	

BOLD NUMBER DESIGNATION REFERS TO NUT & TORQUE LOCATION (SEE CHART)



LETTER DESIGNATIONS REFER TO POSITIONS OF AVAILABLE COVER OPENINGS. (SEE CHART)



GENERAL NOTES:

- COVER RETENTION TEST: MINIMUM FORCE OF 2 LBS. IS REQUIRED TO REMOVE COVER WHEN IT IS SUSPENDED UPSIDE DOWN. FORCE SHALL BE APPLIED THROUGH THE INNER HOLES (2) IN BASE. USE FIXTURE #T-C403 TO SUPPORT PART.
- FLANGED NUT TO MEET THE FOLLOWING CRITERIA: FORD PART NO. W520413 FINISH: S437.
- TORQUE APPLIED AS INDICATED IN CHART TORQUE REQUIREMENTS FOR THE HEX NUT USED TO SECURE THE BUSSBAR OR THE CUSTOMER RING TERMINAL TO THE MEGA FUSE TO BE:
8mm NUT - 12-18 NEWTON METERS (106-159 IN-LBS)
- L/F VALIDATION TEST SPEC. VS-005005.
- MANUALLY ASSEMBLE FLANGED NUT ONTO STUD AND FINGER TIGHTEN ANYWHERE BELOW TOP OF STUD, FOR ALL "NO TORQUE" LOCATIONS

6. MATERIALS:

- BODY - GLASS FILLED THERMOPLASTIC
COLOR - BLACK
- COVER - THERMOPLASTIC
COLOR - BLACK
- WIRE TIE - THERMOPLASTIC
COLOR - BLACK
- STUDS & NUTS - M6 X 1.25 STEEL
ZINC PLATE WITH TRIVALENT CHROMATE, LEACHED AND SEALED,
INTEGRAL TORQUE CONTROL LUBRICANT FINISH
(MEETS 96 HR. ASTM STD. B-117 SALT SPRAY REQ.)

- MOUNT FUSE HOLDER AT THE LOCATIONS SHOWN USING M6 STUDS AND MATING FLANGE NUTS. TORQUE NUTS TO 4.1±0.7Nm.

NO	COMPONENT NO	DESCRIPTION	QTY/M	U/M
-				
-				
-				

BILL OF MATERIAL

UNLESS OTHERWISE SPECIFIED, DIMENSIONS ARE IN MILLIMETERS. DIMENSIONS IN BRACKETS () ARE INCHES.					
UNLESS OTHERWISE SPECIFIED, DIMENSIONS DO NOT INCLUDE PLATING.					
⊙	DENOTES CRITICAL CHARACTERISTICS.				
CPK	DENOTES CPK DIMENSIONS. -MINIMUM CPK VALUE				
ST	DENOTES A CHARACTERISTIC THAT PROVIDES AN INDICATION OF PROCESS PERFORMANCE. PROCEDURE FOR MEASUREMENT AND TRACKING TO BE DEFINED IN LITTELFUSE INSPECTION INSTRUCTIONS				
CP	DENOTES CP DIMENSIONS. -MINIMUM CP VALUE MUST BE WITHIN THE DIMENSIONAL LIMITATIONS SHOWN ON DRAWING AND INITIALLY LOCATED TO ALLOW FOR MAXIMUM TOOL LIFE				
MATERIAL SPEC					
COPIES TO					
1	9	18			
2	10	19			
3	12	20			
4	13	21			
5	14	23			
6	15	33			
7	16	43			
8	17	53			
FINISH					
DRW	OPL	DATE	01/19/11	SCALE 1:1	
CHK		DATE		SUPER DR	
APPD		DATE		FINISH GOOD WT	
GRAMS/PIECE					
TOLERANCES UNLESS OTHERWISE SPECIFIED (REF. ISO 2768-MH)					
DIMENSION	0.5 - 3	3 - 6	6 - 30	30 - 120	120 - 400
TOLERANCE	±0.05	±0.05	±0.1	±0.15	±0.2
3RD ANGLE PROJECTION					
TITLE					
DUAL MEGAFUSE HOLDER					
METRIC COMPONENT		REVISION		DRWG. NO.	
		C		02982010ZXT	
				OUTLINE	
				CHICAGO, USA 773-628-1000	

CAD GENERATED DRAWING - NO PENCIL CHANGES ALLOWED (REV C)