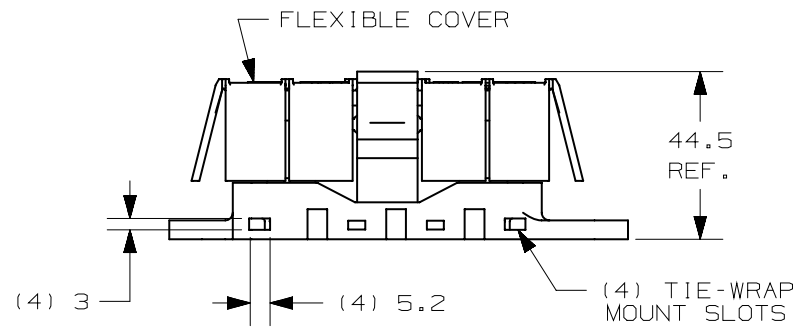


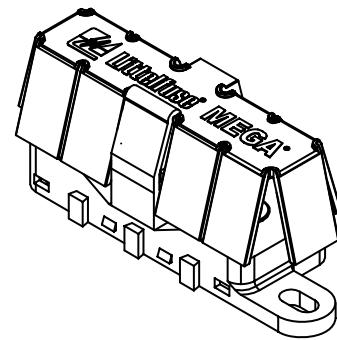
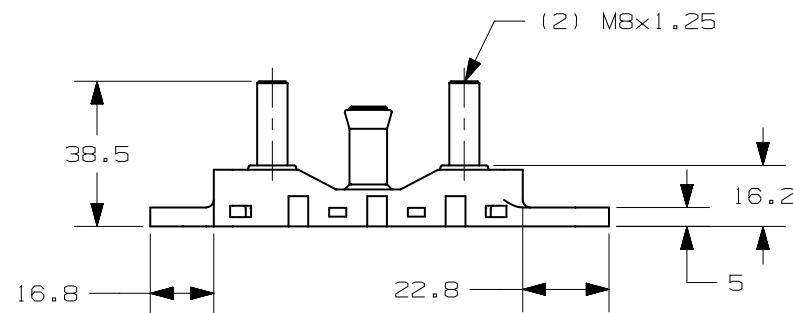
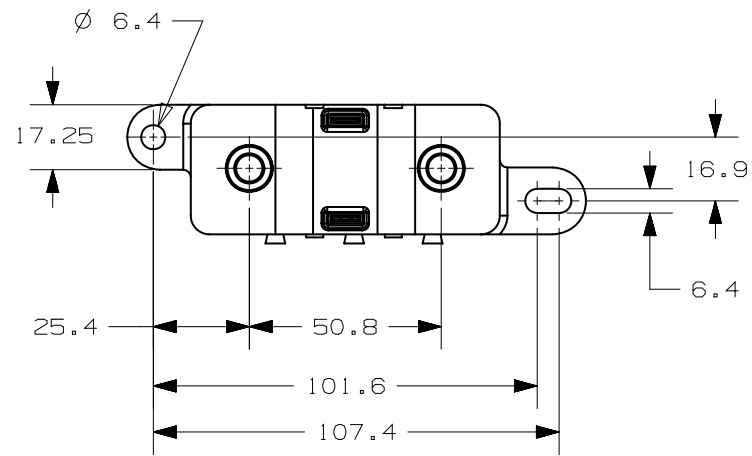
DOVETAIL FEATURES USED TO INTERLOCK MULTIPLE HOLDERS



NOTES:

- 1) BASE: UL94V-0 GLASS-FILLED PPA
M8 STUDS: ZINC-PLATED STEEL
COVER: UL94V-0 ELASTOMER
- 2) MAX FUSE RATING: 500A
- 3) M8 STUD TORQUE: 12-18Nm
MOUNTING TORQUE (W/M6 BOLTS & WASHERS): 5Nm
- 4) TEMPERATURE RATING: -40°C TO 125°C
- 5) WIRE SIZE: 8mm² TO 30mm²

METRIC



NO	COMPONENT NO	DESCRIPTION	QTY/M	U/M
BILL OF MATERIAL				
		UNLESS OTHERWISE SPECIFIED, DIMENSIONS ARE IN MILLIMETERS. DIMENSIONS IN BRACKETS [] ARE INCHES		
		UNLESS OTHERWISE SPECIFIED, DIMENSIONS DO NOT INCLUDE PLATING.		
⊙		DENOTES CRITICAL CHARACTERISTICS.		
CPK		DENOTES CPK DIMENSIONS, -MINIMUM CPK VALUE		
ST		DENOTES A CHARACTERISTIC THAT PROVIDES AN INDICATION OF PROCESS PERFORMANCE. PROCEDURE FOR MEASUREMENT AND TRACKING TO BE DEFINED IN LITTELFUSE INSPECTION INSTRUCTIONS		
CP		DENOTES CP DIMENSIONS, -MINIMUM CP VALUE MUST BE WITHIN THE DIMENSIONAL LIMITATIONS SHOWN ON DRAWING AND INITIALLY LOCATED TO ALLOW FOR MAXIMUM TOOL LIFE		

COPIES TO		MATERIAL SPEC		FINISH		SCALE		DATE		DATE		DATE		GRAMS/PIECE	
1	2	3	4	5	6	7	8	9	10	11	12	13	14	15	16
9	18	19	20	21	23	33	43	53	SEE NOTES		N/A		10/27/11	1:2	
10	19	20	21	23	33	43	53								
12	20	21	23	33	43	53									
13	21	23	33	43	53										
14	23	33	43	53											
15	33	43	53												
16	43	53													
17	53														
18															
19															
20															
21															
23															
33															
43															
53															
DIMENSION		0.5	UP TO 3	3	6	6	30	30	120	120	400	400	TOLERANCES UNLESS OTHERWISE SPECIFIED (REF. ISO 2768-mK)		
TOLERANCE		±0.1		±0.1		±0.2		±0.3		±0.5					
3RD ANGLE PROJECTION		TITLE													
		FLEX-MEGA ASSY WITHOUT HARDWARE													
		REVISION DRWG. NO.													
		B OL-02981037HXFC-0													
		Littelfuse DES PLAINES, ILLINOIS 60016													

LTR	DATE	REVISION	CHK	APD
A	10/27/11	503515ERA-RELEASED OPL		
B	02/09/12	504268ECA-REMOVE LASER MARKING "SS", IN NOTE 1 REMOVE "SEE CHART" AND ADD ZINC-PLATED STEEL OPL		