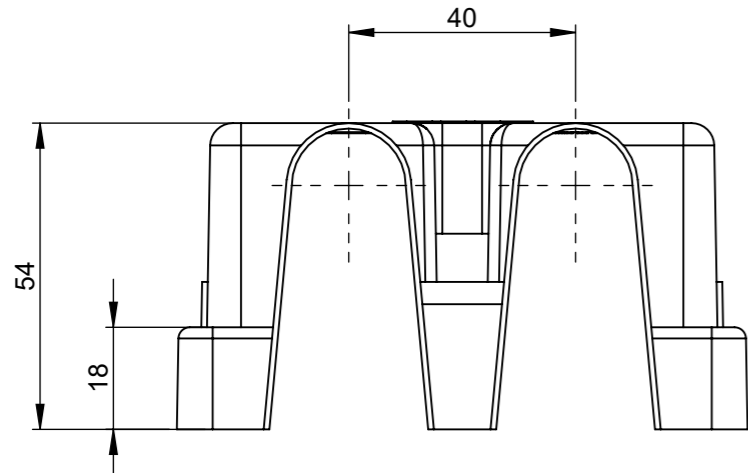
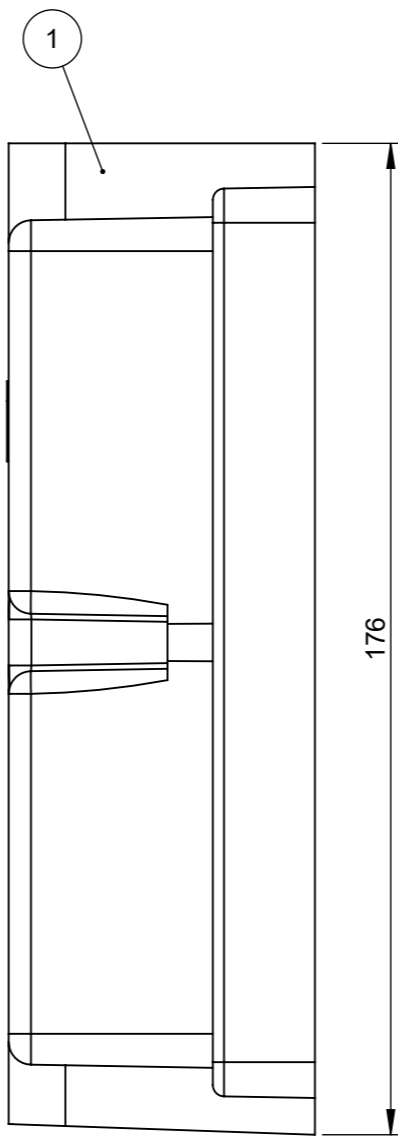
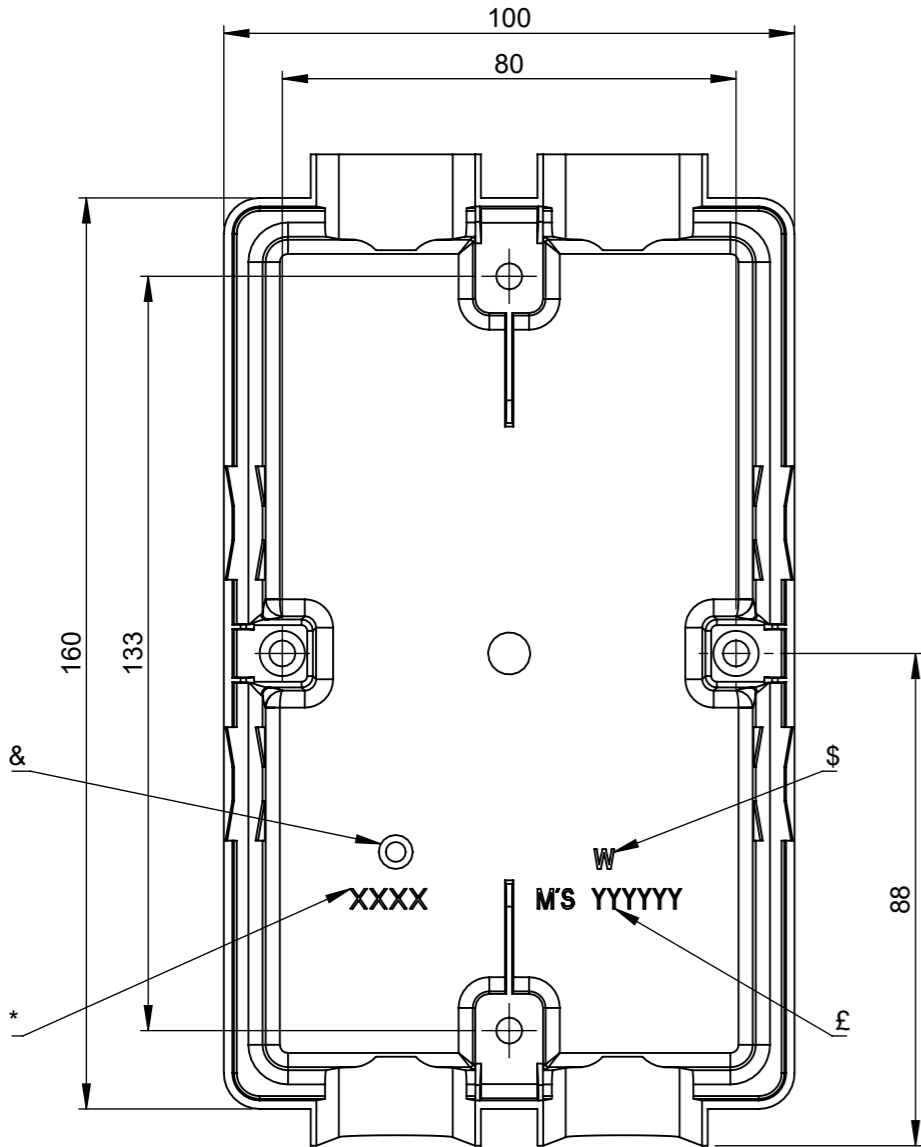


THIS DRAWING AND THE INFORMATION CONTAINED WITHIN IT ARE CONFIDENTIAL AND MAY NOT BE COPIED OR DISCLOSED WITHOUT THE WRITTEN PERMISSION OF LITTELFUSE.

REVISIONS					
REV.	DESCRIPTION	DATE	GCF / ECR	DESIGNED	APPROVED
A	Initial Release	30-Jan-23		L.Dal Molin	M.Tinto



POS.	DESCRIPTION	MATERIAL	Q.ty
1	Protection ext. 4 holes	Polyamide	1

DIMENSIONS AND TOLERANCES IN MILLIMETERS, DEFINED ACCORDING TO ISO 1101-2017.

linear dimensions						
0,5	>3	>6	>30	>120	>400	>1000
3	6	30	120	400	1000	2000
±0,2	±0,3	±0,5	±0,8	±1,2	±2	±3

angle (for range of lengths)			
up to	>10	>50	>120
10	50	120	400
±1°30'	±1°	±0°30'	±0°15'

- FIT/ FUNCTION CRITICAL CHARACTERISTICS SYMBOL
- <S> SAFETY/ COMPLIANCE CRITICAL CHARACTERISTICS SYMBOL
- CPK DENOTES CPK DIMENSIONS MINIMUM CPK VALUE
- (ST) DENOTES A CHARACTERISTIC THAT PROVIDES AN INDICATION OF PROCESS PERFORMANCE. PROCEDURE FOR MEASUREMENT AND TRACKING TO BE DEFINED IN LITTELFUSE INSPECTION INSTRUCTIONS
- CP DENOTES CP DIMENSIONS, -MINIMUM CP VALUE MUST BE WITHIN THE DIMENSIONAL LIMITATIONS SHOWN ON DRAWING AND INITIALLY LOCATED TO ALLOW FOR MAXIMUM TOOL LIFE

PRESCRIPTION
 £: Mold code
 \$: Molding footprint number
 &: Manufacture date
 *: Material symbol

DRAWN		L.Dal Molin	30 Jan 2023	 Expertise Applied Answers Delivered
CHECKED		-	-	
FORM NO:		CVP-PE40-0013 REV A		
FIRST ANGLE PROJECTION				
TITLE				PROTECTION EXTERNAL 4 HOLES
SIZE:	A3	DWG. NO.	OL-00902800	
OUTLINE	REV.	A		
DO NOT SCALE DRAWING				SCALE 1:1
				SHEET 1 OF 1