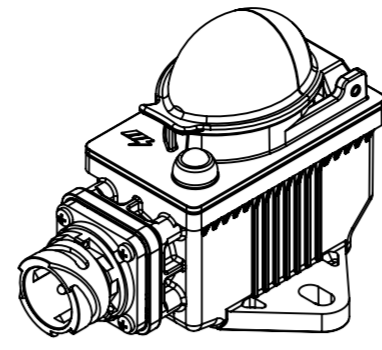
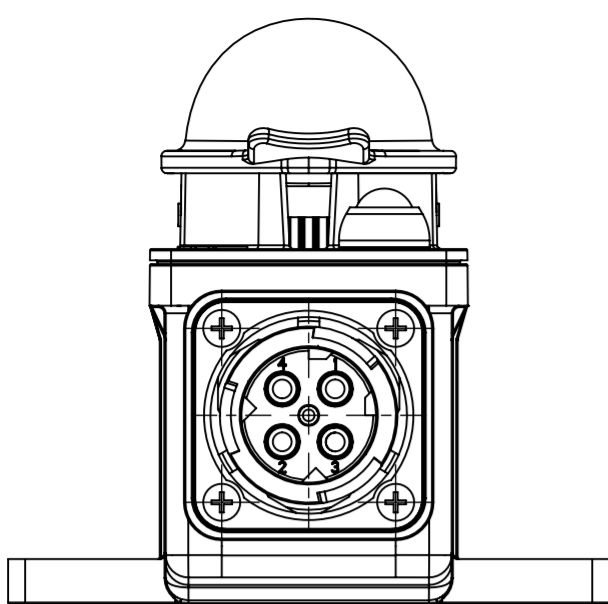
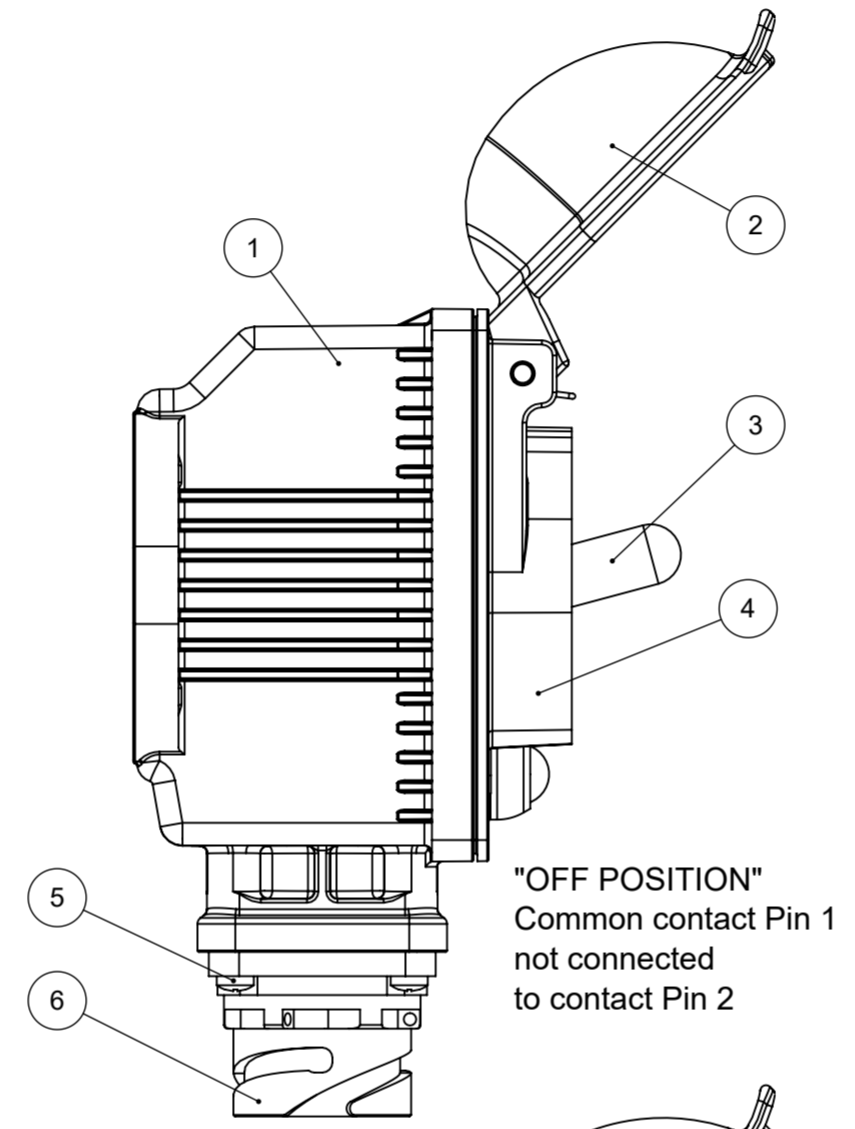
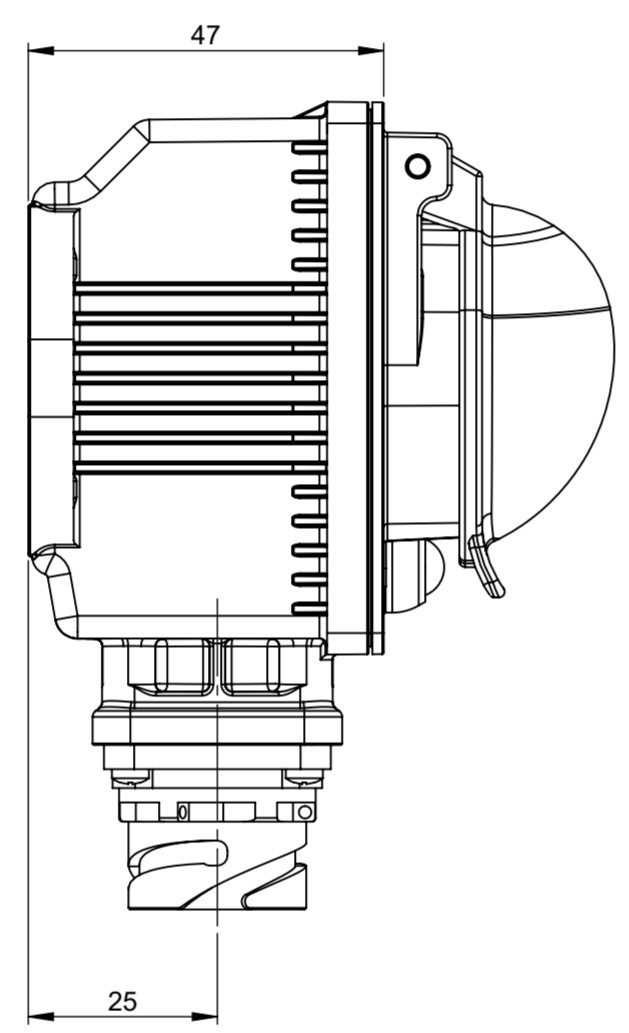
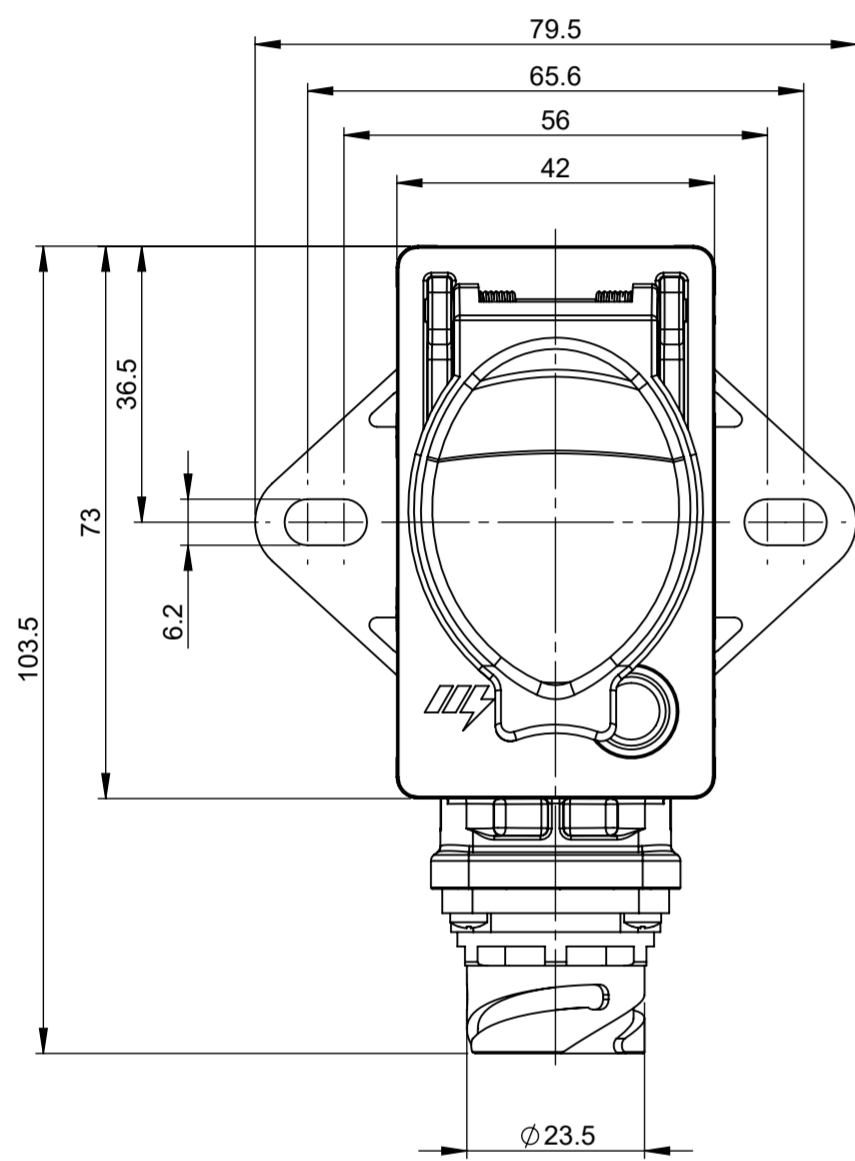


THIS DRAWING AND THE INFORMATION CONTAINED WITHIN IT ARE CONFIDENTIAL AND MAY NOT BE COPIED OR DISCLOSED WITHOUT THE WRITTEN PERMISSION OF LITTELFUSE.

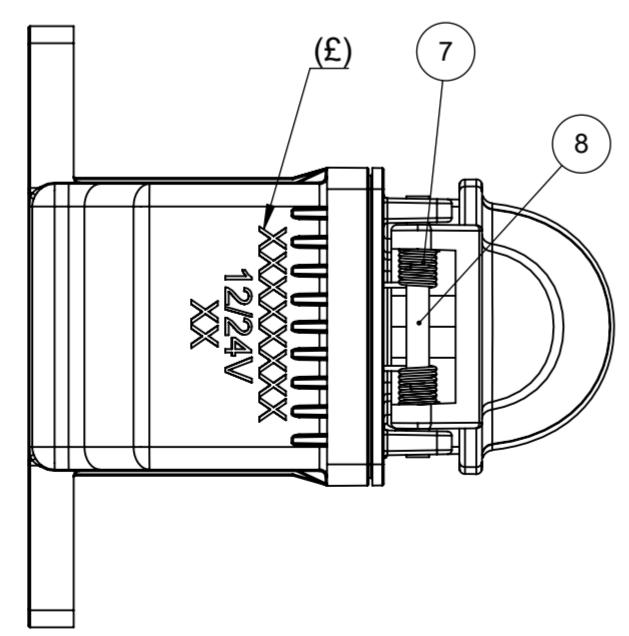
REV. DESCRIPTION		DATE	GCF / ECR	DESIGNED	APPROVED
A	Initial Release	31-Jan-23		L.Dal Molin	M.Tinto



SCALE 1:2



"OFF POSITION"
Common contact Pin 1
not connected
to contact Pin 2



"(ON) POSITION"
Common contact Pin 1
connected
to contact Pin 2

DOCUMENTO CORRELATO AL CERTIFICATO:
DOCUMENT CORRELATED TO THE CERTIFICATE:
SIRA 04 ATEX 2201X
Non sono ammesse modifiche senza l'approvazione della "Persona Autorizzata".
No modify is allowed without the "Authorized Person" approval.

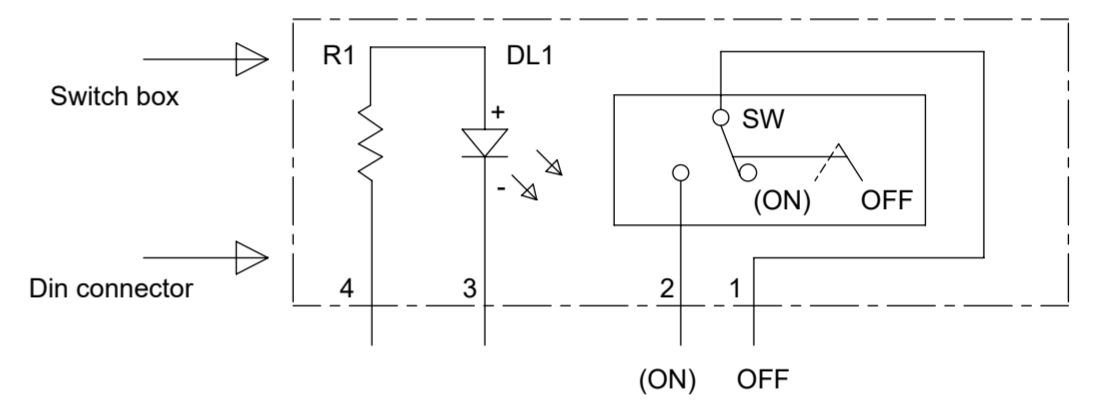
PRESCRIPTIONS

- (E) The device have to be marked with product p/N, working nominal tension and manufacturing date
- It is recommended to fix the device to the structure by means of screws M6 and flat washer 6.4x12.5 by locking torque 8 ± 2 Nm
- To assure the correct work of switch we recommend to operate it simulating an emergency situation once a month
- The functionality of the device is not influenced by the fitting orientation
- The "ON" - "OFF" instructions showed on the drawing are referred to the functions obtained when the device is connected to the battery switches

CHARACTERISTICS

- Nominal voltage: 12V or 24V
- Working current: 10A
- Vibrations resistance: - Frequency 10 + 50 Hz
- Acceleration 150m/s²
- Number of electrical and mechanical cycles: 30.000
- Weight of the device: about 0.13 Kg
- Mating connector according to DIN72585 - ISO15170 mechanical polarity code 1

ELECTRICAL DIAGRAM



POS.	DESCRIPTION	MATERIAL	Q.ty	U/M
8	Pin cover	Steel	1	EA
7	Spring for cover	Steel	1	EA
6	Body connector/F 4P	PBT	1	EA
5	Screw TCCCIC 3x12	Steel	4	EA
4	Closing cover complete		1	EA
3	Momentary toggle switch w/ sealing boot		1	EA
2	Cover	Polyamide	1	EA
1	Box for switch	Polyamide	1	EA

DIMENSIONS AND TOLERANCES IN MILLIMETERS, DEFINED ACCORDING TO ISO 1101-2017.

linear dimensions						
0,5	>3	>6	>30	>120	>400	>1000
3	6	30	120	400	1000	2000
±0,2	±0,3	±0,5	±0,8	±1,2	±2	±3

FITI/ FUNCTION CRITICAL CHARACTERISTICS SYMBOL
 <S> SAFETY/ COMPLIANCE CRITICAL CHARACTERISTICS SYMBOL
 CPK DENOTES CPK DIMENSIONS MINIMUM CPK VALUE
 (ST) DENOTES A CHARACTERISTIC THAT PROVIDES AN INDICATION OF PROCESS PERFORMANCE. PROCEDURE FOR MEASUREMENT AND TRACKING TO BE DEFINED IN LITTELFUSE INSPECTION INSTRUCTIONS
 CP DENOTES CP DIMENSIONS. MINIMUM CP VALUE MUST BE WITHIN THE DIMENSIONAL LIMITATIONS SHOWN ON DRAWING AND INITIALLY LOCATED TO ALLOW FOR MAXIMUM TOOL LIFE

NAME	DATE
L. Dal Molin	31 Jan 2023

Littelfuse
 Expertise Applied | Answers Delivered

FORM NO. CVP-PE40-0013 REV A
 FIRST ANGLE PROJECTION
 TITLE: EXTERNAL EMERGENCY SWITCH OFF-ON
 SIZE: A2 DWG. NO. OL-00227000 OUTLINE REV. A
 DO NOT SCALE DRAWING SCALE 1:1 SHEET 1 OF 1