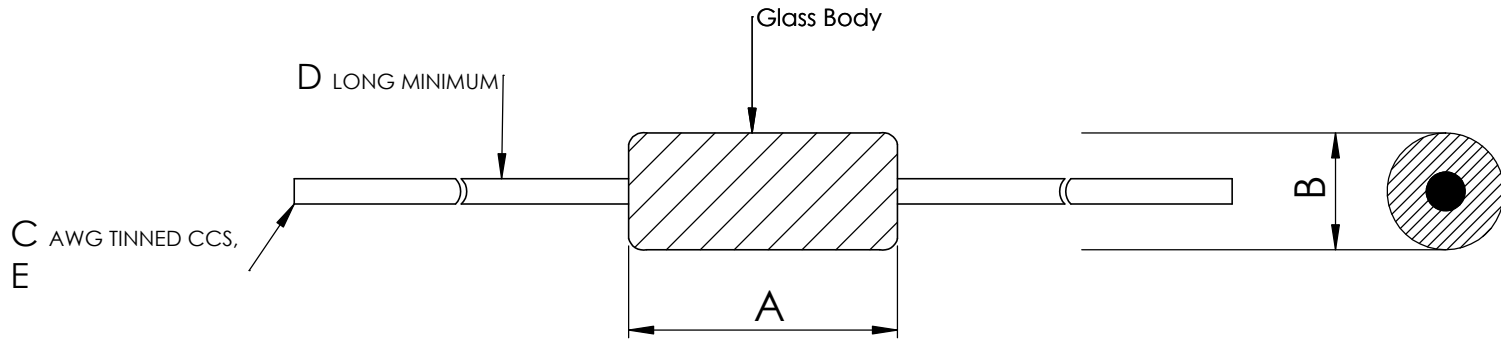


2

1

B

B



Mechanical Dimensions :

A	B	C	D	E	Packaging Style
0.110" to 0.170" (2.794 to 4.318mm)	0.065" to 0.110" (1.651 to 2.794mm)	0.0157" ±0.0025" to 0.0200" ±0.001" (0.0157 ± 0.0635mm to 0.508 ± 0.0254mm)	1.000" Long Minimum (25.4mm Long Minimum)	Tinned Dument	Bulk Tape and Reel

Electrical Specifications :

Resistance (25 °C) Ω	Resistance Tolerance, ±%	Temp, Coefficient (%/°C)	Beta(K)	Dissipation Constant (mW/C)	Time Constant (still air) (sec)	Temp Rating(°C)
1000 to 2000000	0.5 to 10.0	3.31 to 4.4	2000~5000	≤2.0 ~ 4.0	≤12.0 ~ 20.0	-80 ~ +300 for the thermistor, leads tinning is rated +250

A

A

Project Code		XXXXXX			
		Third Angle Projection			
Units		Inch(mm)		Division	
				IBU - Temperature Sensors	
General Tolerances		0.X = ± 0.X 0.XX = ± 0.XX 0.XXX = ± 0.XXX		Title	
				Glass Encapsulated NTC Thermistors	
Rev		Description		Finished Product Part Number	
A		Initial Release		NGD	
Rev		Description		Internal No.	
				NGD	
Date		03/28/2023		Size	
				A	
Reference Legacy No.		USPxxxx REV x		Do Not Scale	
				Sheet	
				1 of 1	

2

1